

AV RECEIVER

RX-V475/HTR-4066/ RX-V500D

SERVICE MANUAL

RX-V475/HTR-4066 models

Note:

When the DIGITAL P.C.B. or IC22 on DIGITAL P.C.B. is replaced, this unit will display "Internal Error" and will not operate properly. The model name MUST be written to the backup IC (EEPROM: IC22 on DIGITAL P.C.B.) to have proper operation. (For details, refer to "S5. SOFT SWITCH" menu of the self-diagnostic function.)

注意:

DIGITAL P.C.B. または DIGITAL P.C.B. の IC22 を交換すると、"Internal Error" が表示されて本機が正常に動作しなくなります。正常に動作させるために、モデル名をバックアップ IC (EEPROM: DIGITAL P.C.B. の IC22) へ書き込む必要があります。(詳細は、ダイアグの "S5. SOFT SWITCH" メニューを参照してください。)

IMPORTANT NOTICE

This manual has been provided for the use of authorized Yamaha Retailers and their service personnel.

It has been assumed that basic service procedures inherent to the industry, and more specifically Yamaha Products, are already known and understood by the users, and have therefore not been restated.

WARNING: Failure to follow appropriate service and safety procedures when servicing this product may result in personal injury, destruction of expensive components, and failure of the product to perform as specified. For these reasons, we advise all Yamaha product owners that any service required should be performed by an authorized Yamaha Retailer or the appointed service representative.

IMPORTANT: The presentation or sale of this manual to any individual or firm does not constitute authorization, certification or recognition of any applicable technical capabilities, or establish a principle-agent relationship of any form.

The data provided is believed to be accurate and applicable to the unit(s) indicated on the cover. The research, engineering, and service departments of Yamaha are continually striving to improve Yamaha products. Modifications are, therefore, inevitable and specifications are subject to change without notice or obligation to retrofit. Should any discrepancy appear to exist, please contact the distributor's Service Division.

WARNING: Static discharges can destroy expensive components. Discharge any static electricity your body may have accumulated by grounding yourself to the ground buss in the unit (heavy gauge black wires connect to this buss).

IMPORTANT: Turn the unit OFF during disassembly and part replacement. Recheck all work before you apply power to the unit.

CONTENTS

TO SERVICE PERSONNEL	2	DISPLAY DATA	60-61
FRONT PANELS	3	IC DATA	62-82
REAR PANELS	4-9	PIN CONNECTION DIAGRAMS	83
REMOTE CONTROL PANELS	10	BLOCK DIAGRAMS	84-85
SPECIFICATIONS / 参考仕様	11-16	WIRING DIAGRAMS	86-87
INTERNAL VIEW	17	PRINTED CIRCUIT BOARDS	88-102
SERVICE PRECAUTIONS / サービス時の注意事項	17	SCHEMATIC DIAGRAMS	103-113
DISASSEMBLY PROCEDURES / 分解手順	18-21	REPLACEMENT PARTS LIST	115-129
UPDATING FIRMWARE / ファームウェアのアップデート	22-23	REMOTE CONTROL	130-132
SELF-DIAGNOSTIC FUNCTION / ダイアグ (自己診断機能)	24-58	CONFIGURING THE SYSTEM SETTINGS	133
POWER AMPLIFIER ADJUSTMENT / パワーアンプ調整	59	システム設定を変更する	134
		FIRMWARE UPDATING PROCEDURE	135-140
		ファームウェア更新手順	141-146

■ TO SERVICE PERSONNEL

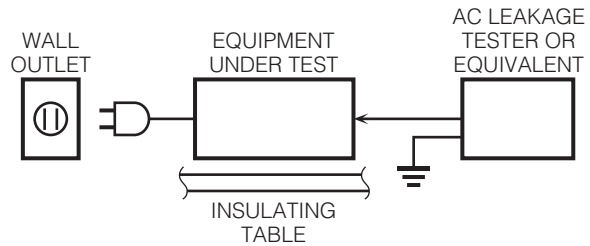
1. Critical Components Information

Components having special characteristics are marked Δ and must be replaced with parts having specifications equal to those originally installed.

2. Leakage Current Measurement (For 120V Models Only)

When service has been completed, it is imperative to verify that all exposed conductive surfaces are properly insulated from supply circuits.

- Meter impedance should be equivalent to 1500 ohms shunted by 0.15 μ F.



- Leakage current must not exceed 0.5mA.
- Be sure to test for leakage with the AC plug in both polarities.



For U model

“CAUTION”

“F5401: FOR CONTINUED PROTECTION AGAINST RISK OF FIRE, REPLACE ONLY WITH SAME TYPE 2A, 250V FUSE.”

“F5402: FOR CONTINUED PROTECTION AGAINST RISK OF FIRE, REPLACE ONLY WITH SAME TYPE 6A, 125V FUSE.”

For C model

CAUTION

F5401: REPLACE WITH SAME TYPE 2A, 250V FUSE.

F5402: REPLACE WITH SAME TYPE 6A, 125V FUSE.

ATTENTION

F5401: UTILISER UN FUSIBLE DE RECHANGE DE MÊME TYPE DE 2A, 250V.

F5402: UTILISER UN FUSIBLE DE RECHANGE DE MÊME TYPE DE 6A, 125V.

WARNING: CHEMICAL CONTENT NOTICE!

This product contains chemicals known to the State of California to cause cancer, or birth defects or other reproductive harm.

DO NOT PLACE SOLDER, ELECTRICAL/ELECTRONIC OR PLASTIC COMPONENTS IN YOUR MOUTH FOR ANY REASON WHATSOEVER!

Avoid prolonged, unprotected contact between solder and your skin! When soldering, do not inhale solder fumes or expose eyes to solder/flux vapor!

If you come in contact with solder or components located inside the enclosure of this product, wash your hands before handling food.

About lead free solder / 無鉛ハンダについて

All of the P.C.B.s installed in this unit and solder joints are soldered using the lead free solder.

Among some types of lead free solder currently available, it is recommended to use one of the following types for the repair work.

- Sn + Ag + Cu (tin + silver + copper)
- Sn + Cu (tin + copper)
- Sn + Zn + Bi (tin + zinc + bismuth)

Caution:

As the melting point temperature of the lead free solder is about 30°C to 40°C (50°F to 70°F) higher than that of the lead solder, be sure to use a soldering iron suitable to each solder.

本機に搭載されているすべての基板およびハンダ付けによる接合部は無鉛ハンダでハンダ付けされています。

無鉛ハンダにはいくつかの種類がありますが、修理時には下記のような無鉛ハンダの使用を推奨します。

- Sn+Ag+Cu (錫 + 銀 + 銅)
- Sn+Cu (錫 + 銅)
- Sn+Zn+Bi (錫 + 亜鉛 + ビスマス)

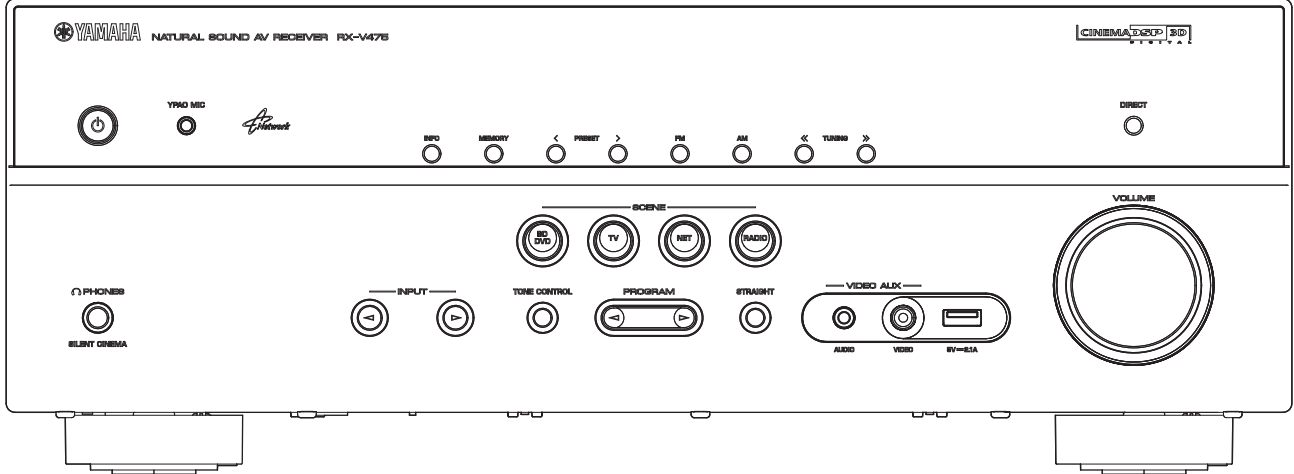
注意：

無鉛ハンダの融点温度は通常の鉛入りハンダに比べ 30 ~ 40°C程度高くなっていますので、それぞれのハンダに合ったハンダごてをご使用ください。

FRONT PANELS

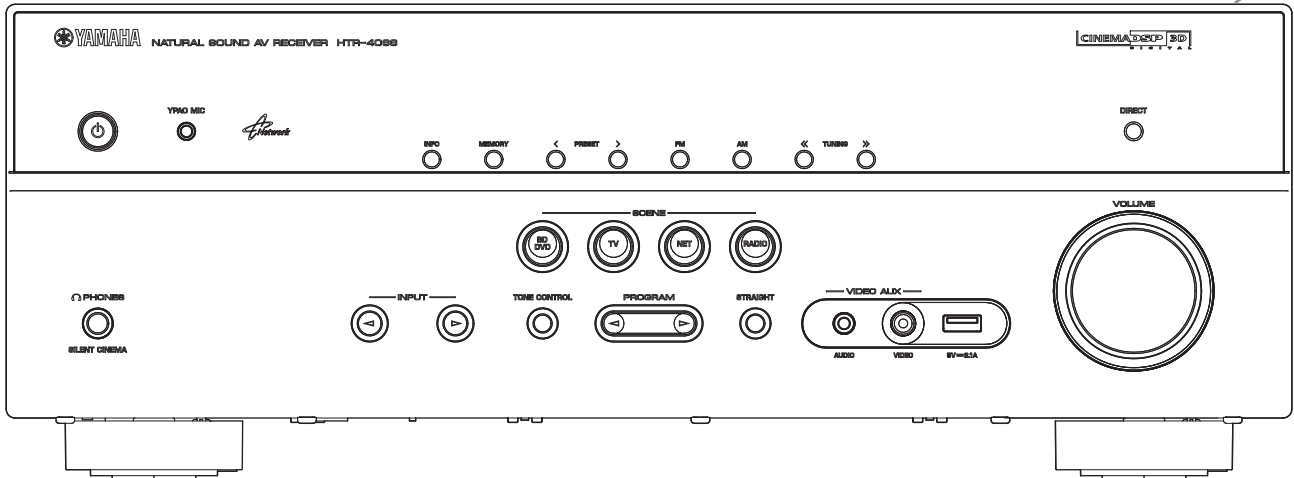
RX-V475

U, C, R, T, K, A, B, G, F, L, S, H models
 *M-HL H-ERRI dtkom X-ERRI
 J model
 *M-HL H-ERRI dtkom X-ERRI



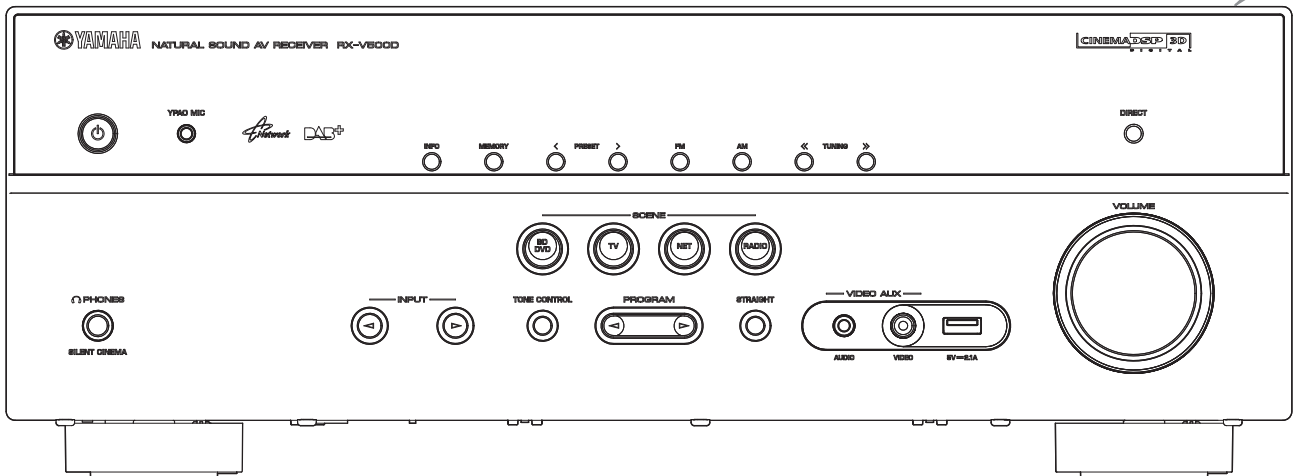
HTR-4066

*M-HL H-ERRI dtkom X-ERRI



RX-V500D

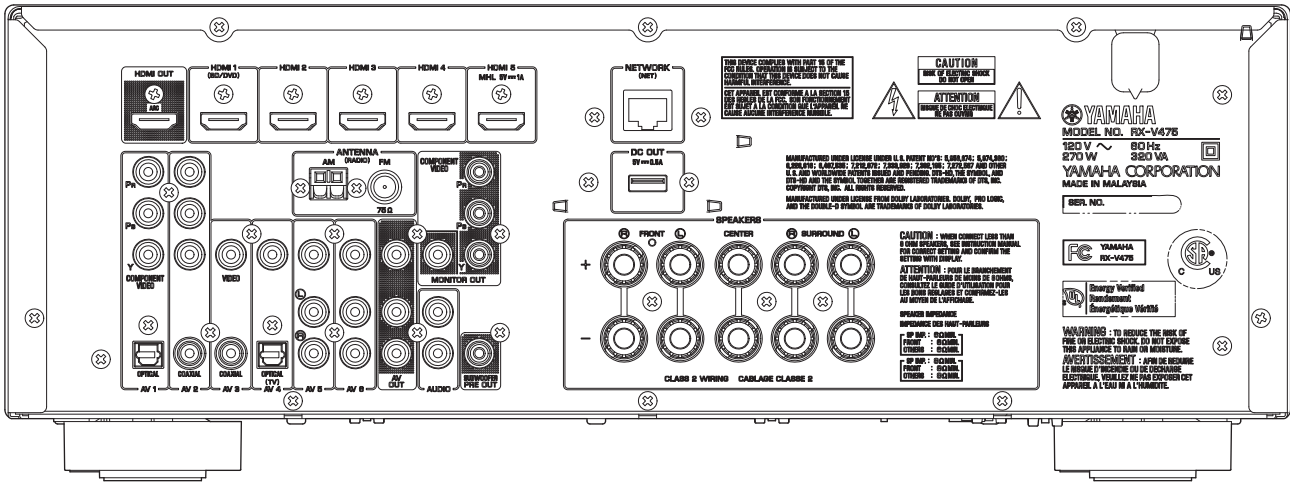
*M-HL H-ERRI dtkom X-ERRI



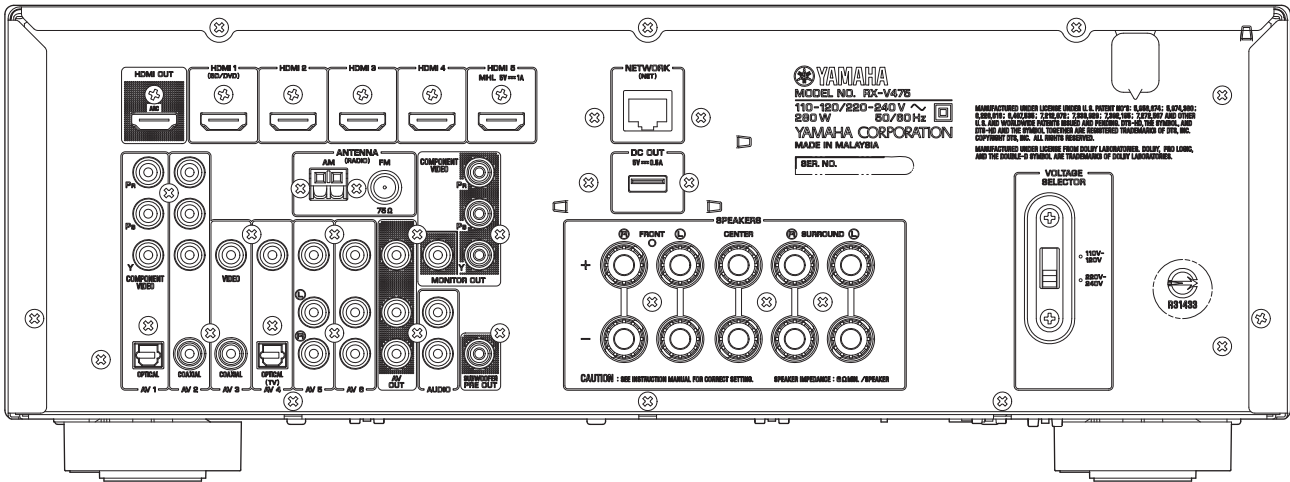
RX-V475/HTR-4066/
RX-V500D

REAR PANELS

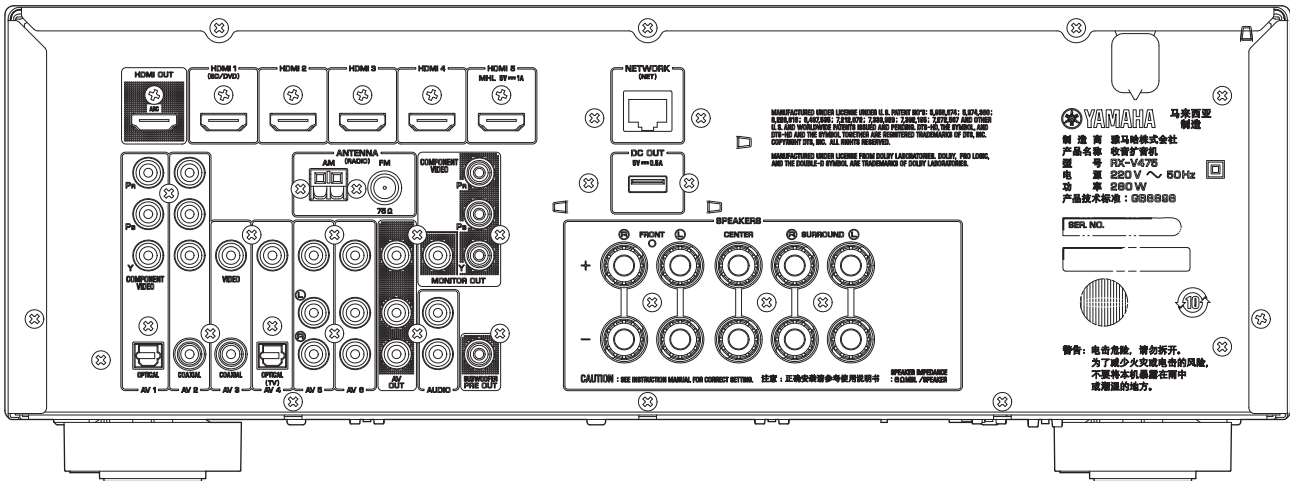
RX-V475 (U, C models)



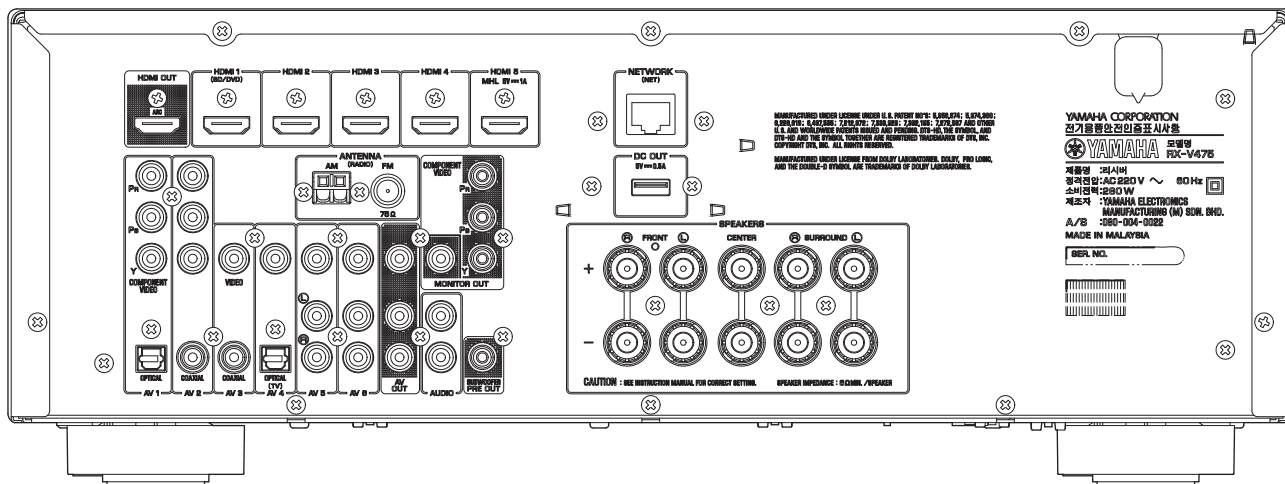
RX-V475 (R, S models)



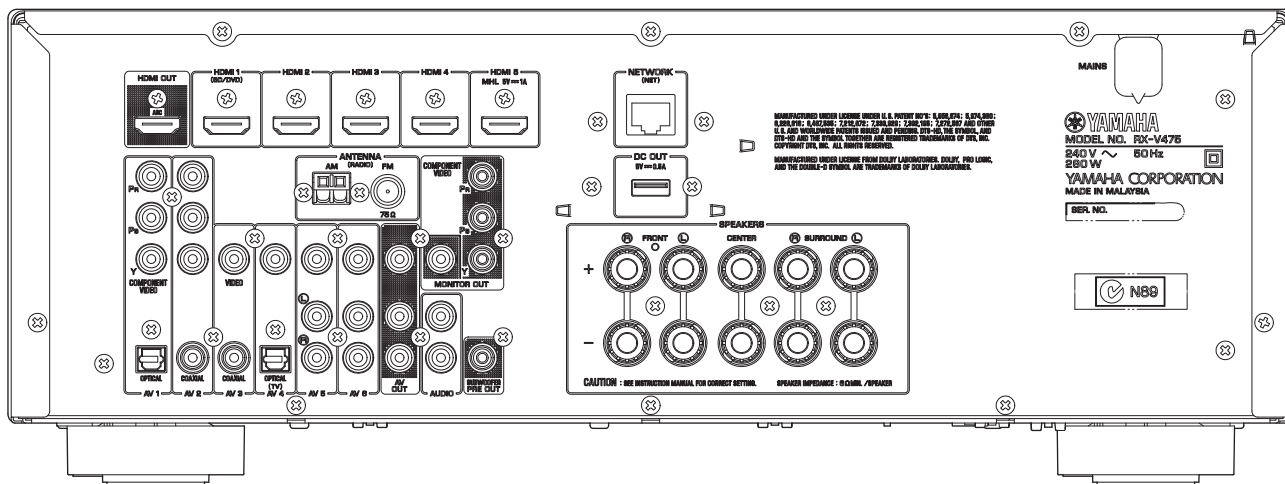
RX-V475 (T model)



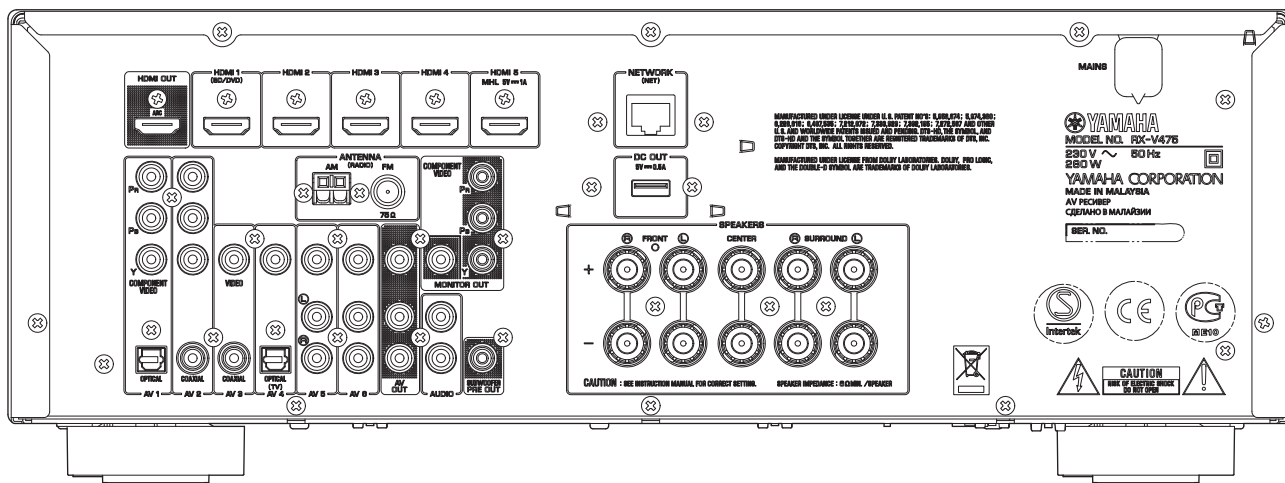
RX-V475 (K model)



RX-V475 (A model)

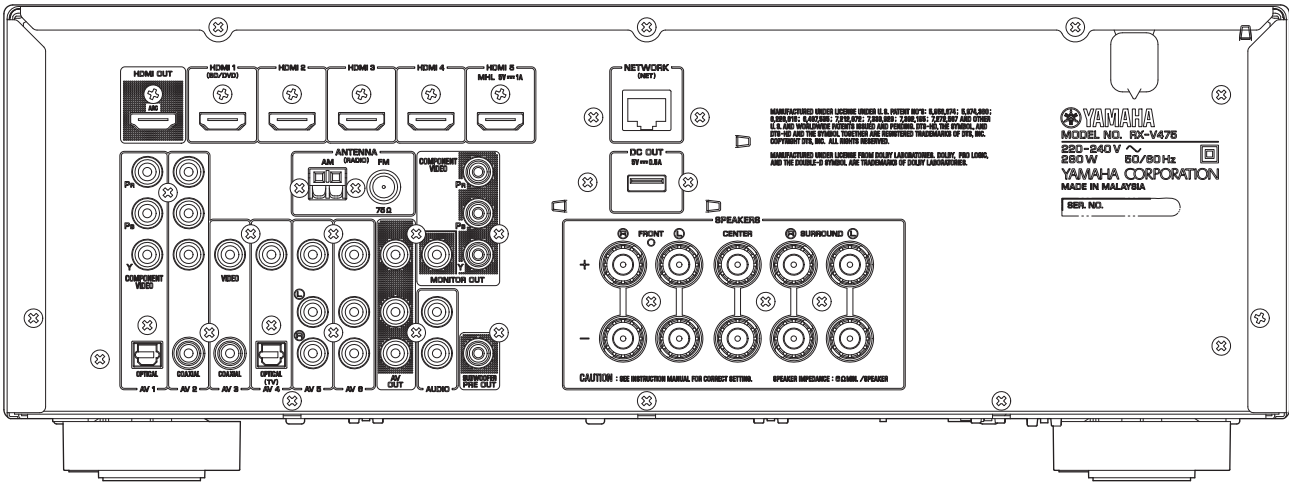


RX-V475 (B, G, F models)

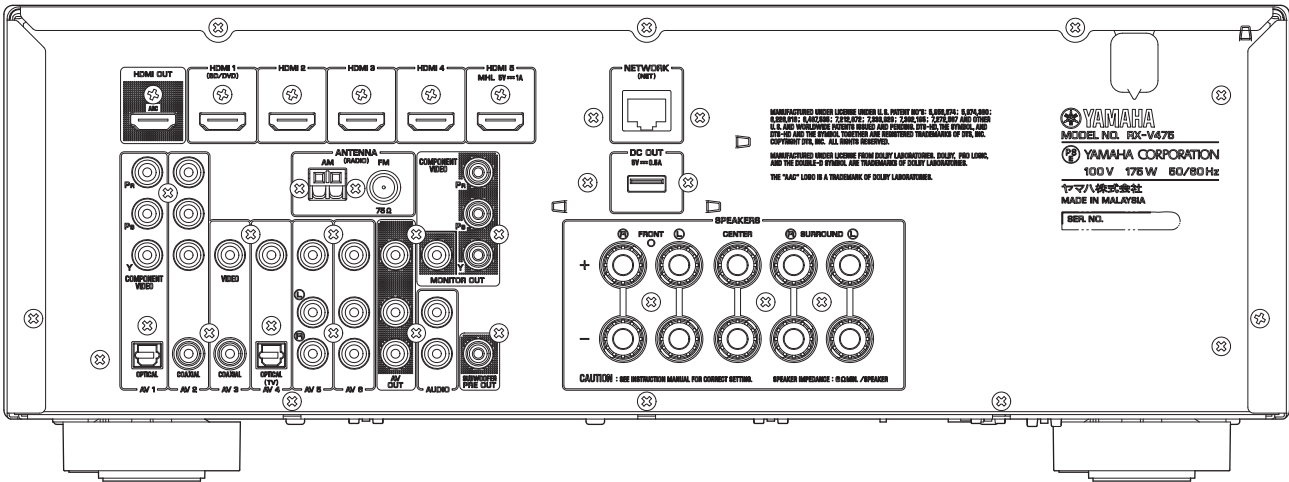


RX-V475/HTR-4066/
RX-V500D

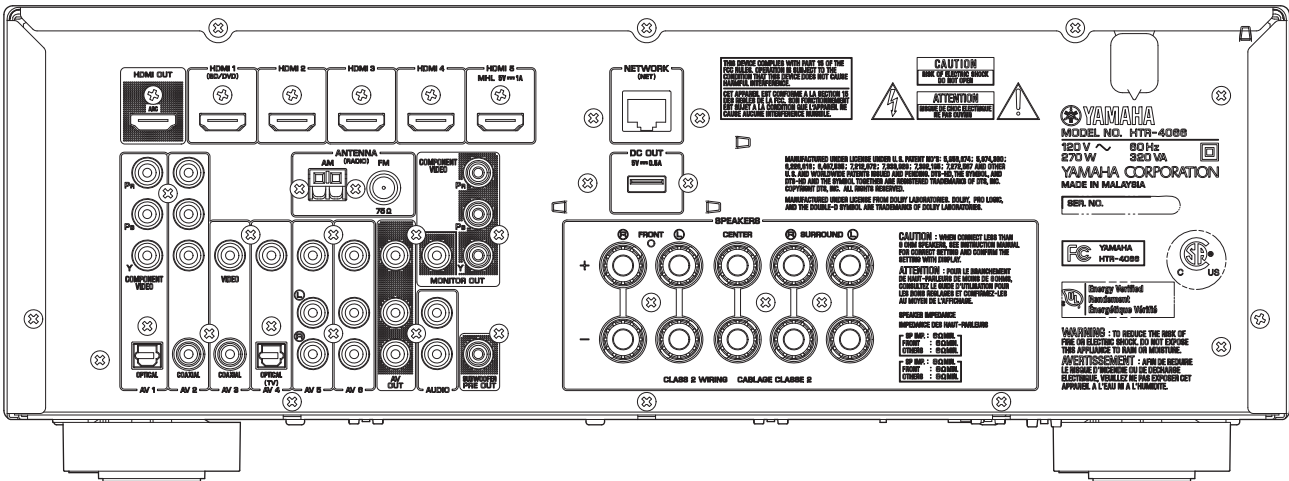
RX-V475 (L, H models)



RX-V475 (J model)

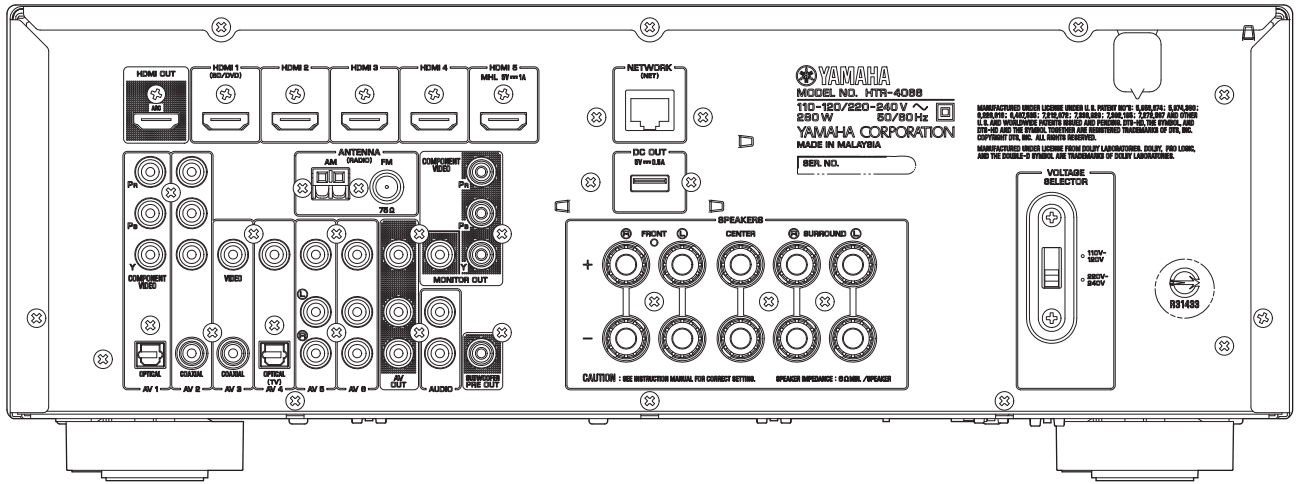


HTR-4066 (U model)

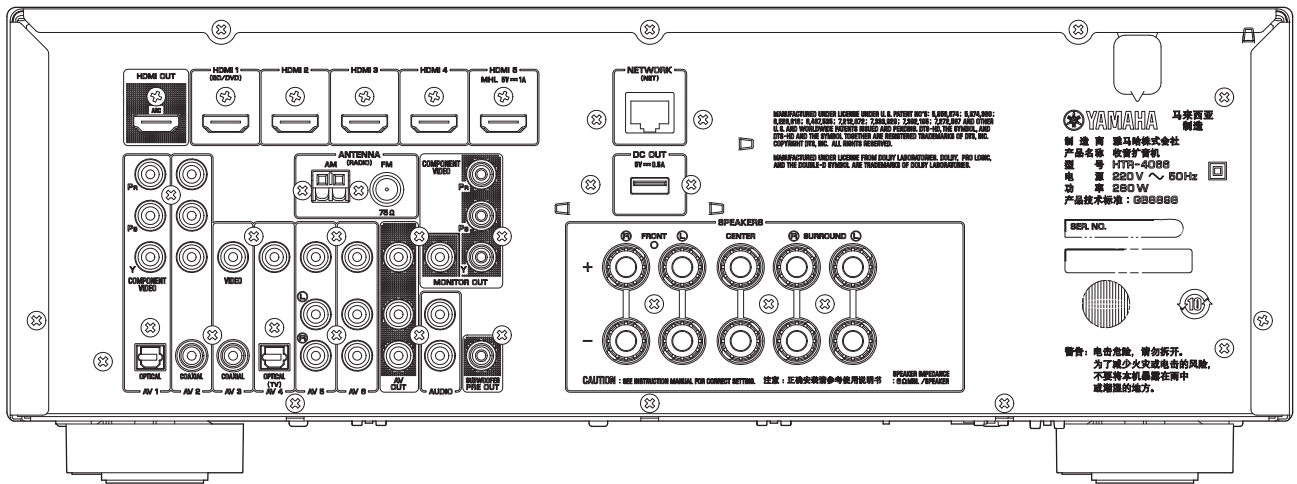


RX-V475/HTR-4066/
RX-V500D

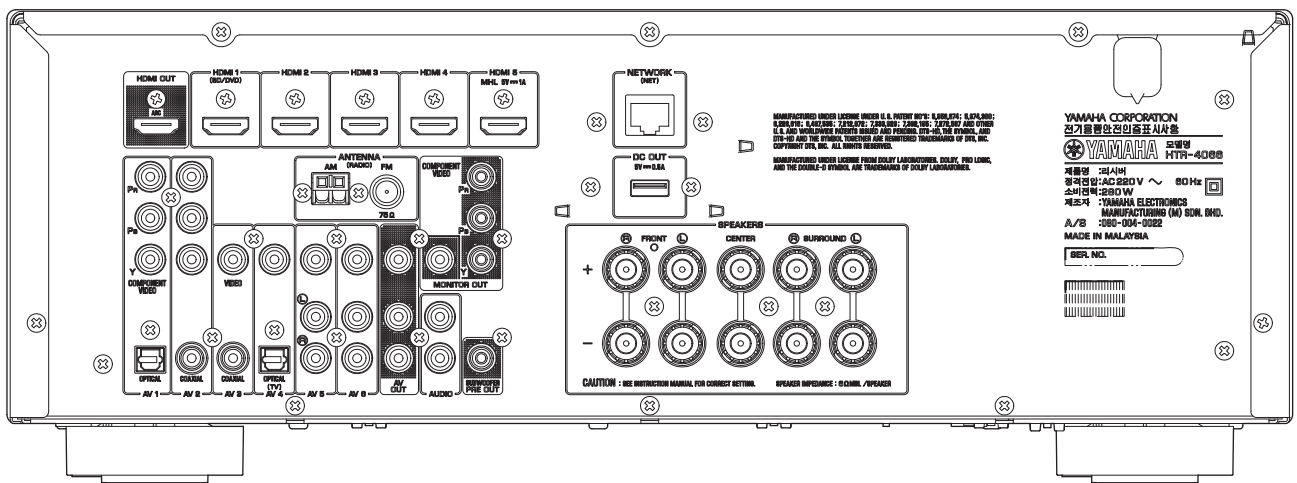
HTR-4066 (R model)



HTR-4066 (T model)

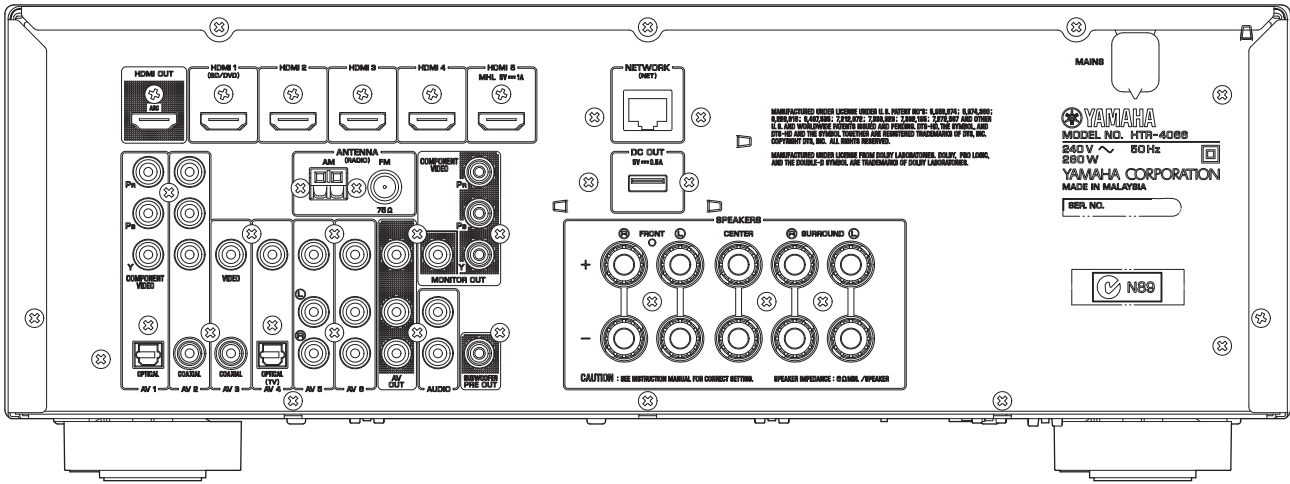


HTR-4066 (K model)

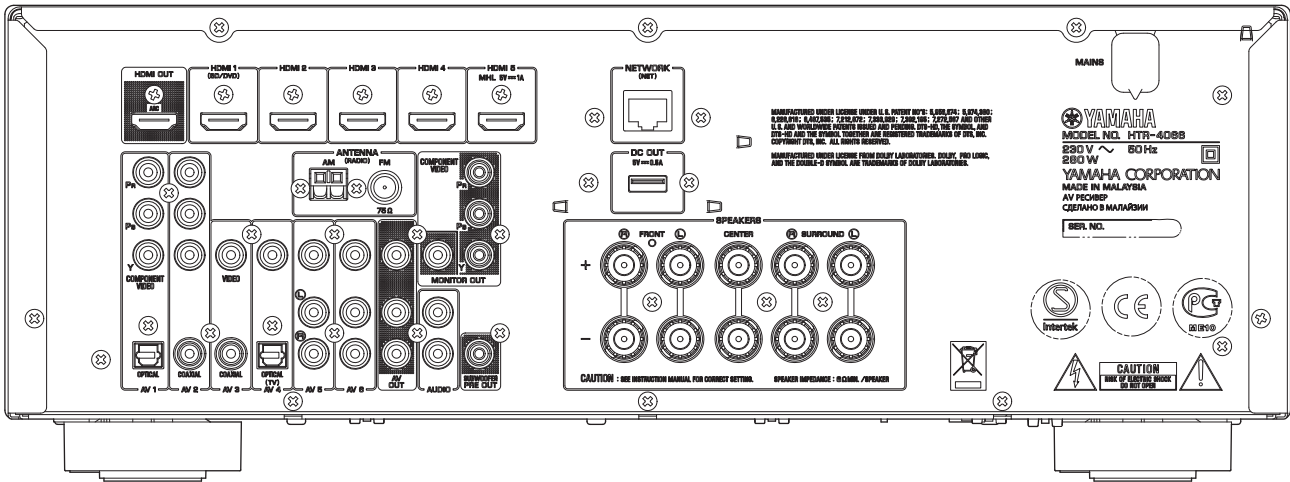


RX-V475/HTR-4066/
 RX-V500D

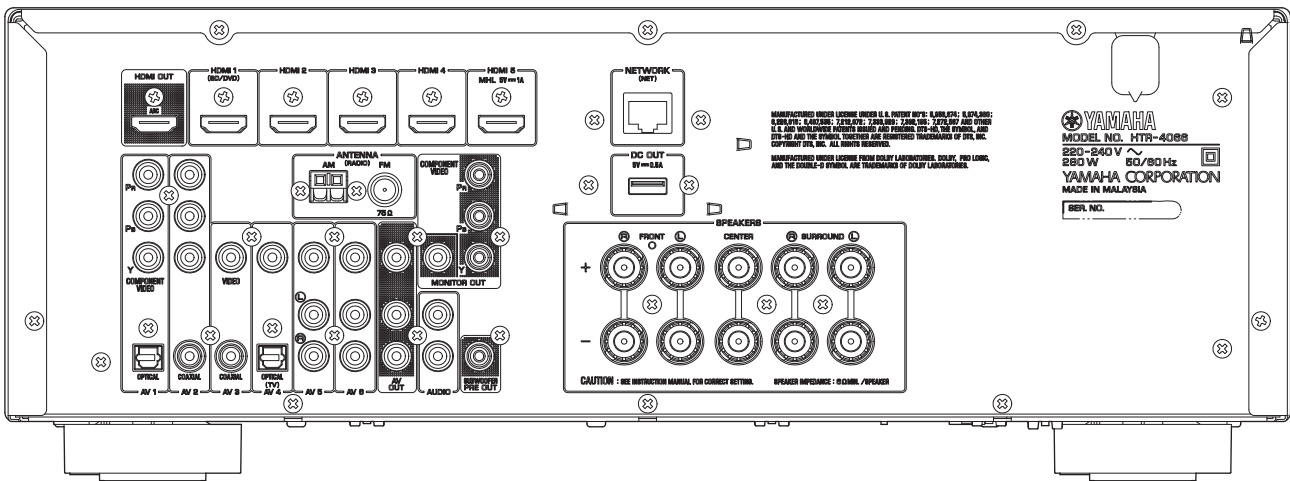
HTR-4066 (A model)



HTR-4066 (B, G, F models)

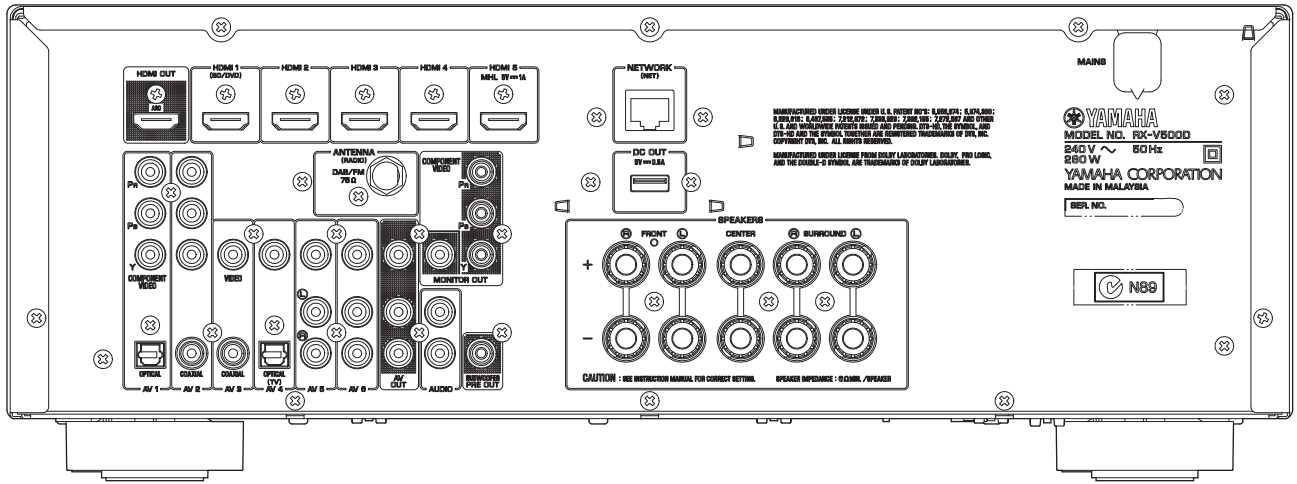


HTR-4066 (L model)

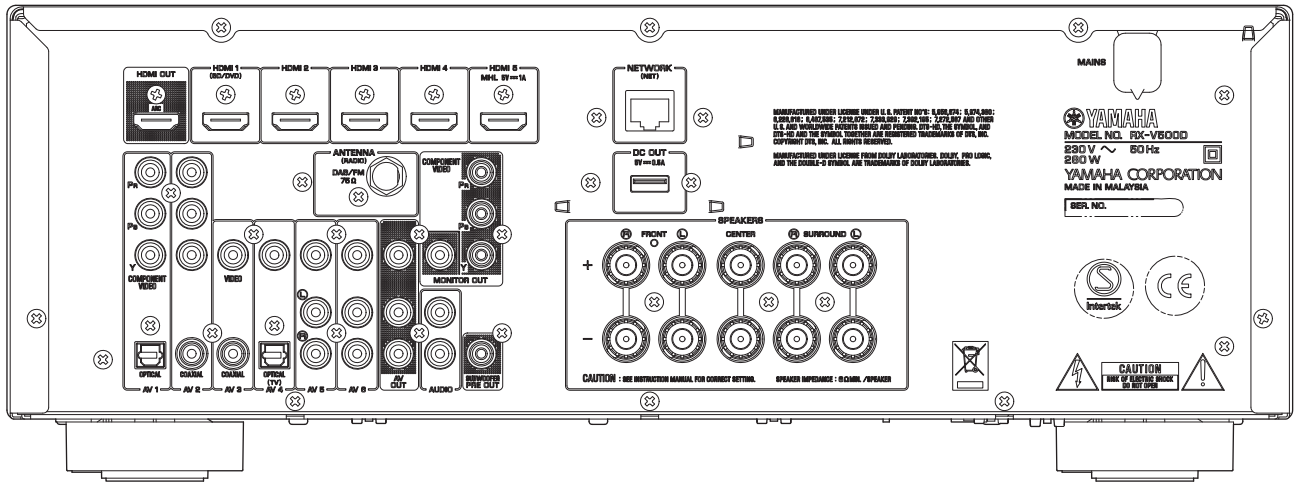


RX-V475/HTR-4066/
RX-V500D

RX-V500D (A model)



RX-V500D (B, G models)



RX-V475/HTR-4066/
RX-V500D

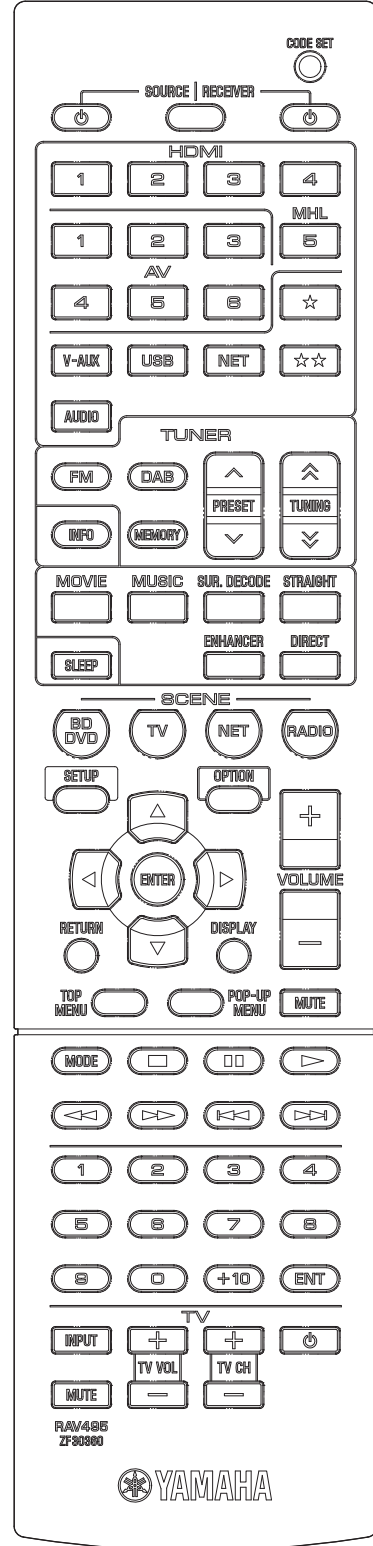
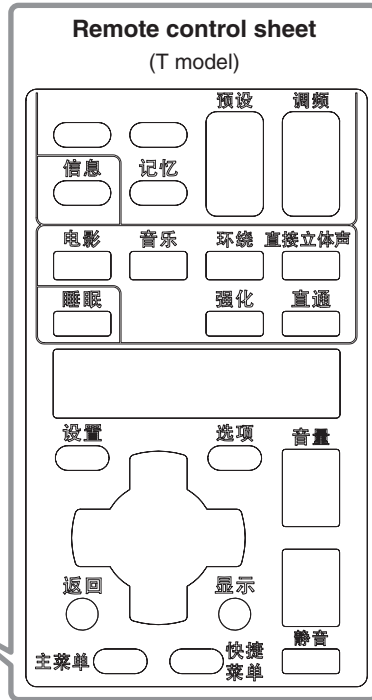
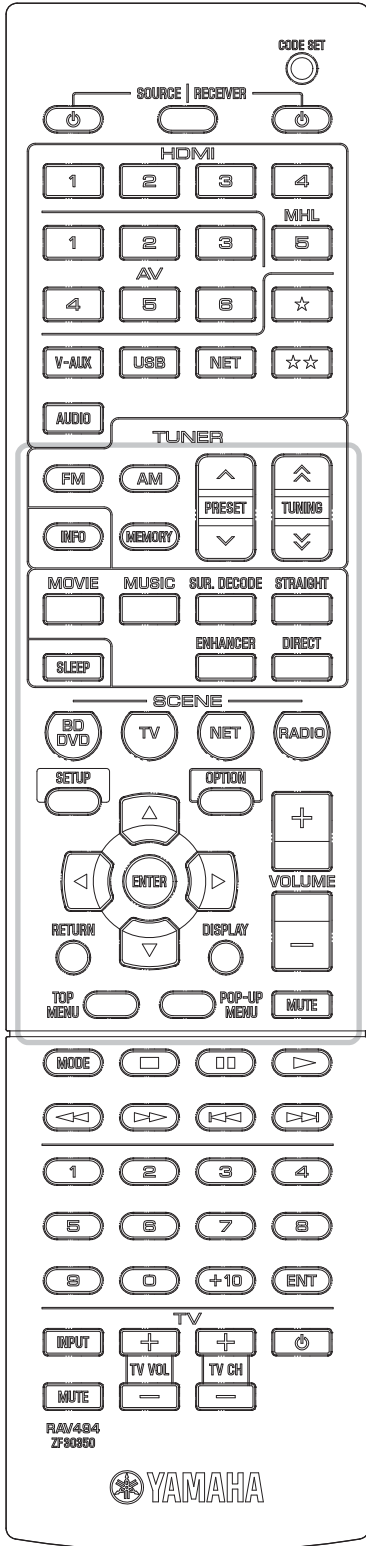
REMOTE CONTROL PANELS

RAV494

RX-V475 / HTR-4066

RAV495

RX-V500D



RX-V475/HTR-4066/
RX-V500D

■ SPECIFICATIONS / 参考仕様

■ Audio Section / オーディオ部

Rated Output Power (Power Amp. Section) /

定格出力 (パワーアンプ部)

(1 kHz, 0.9 % THD)

– 1 channel driven –

U, C models (8 ohms)	
FRONT L/R	115 W/ch
CENTER	115 W
SURROUND L/R	115 W/ch

R, T, K, A, B, G, F, L, S, H, J models (6 ohms)

FRONT L/R	115 W/ch
CENTER	115 W
SURROUND L/R	115 W/ch

– 2 channels driven simultaneously –

U, C models (8 ohms)	
FRONT L/R	95 W + 95 W
CENTER	95 W
SURROUND L/R	95 W + 95 W

(20 Hz to 20 kHz, 0.09 % THD)

– 2 channels driven simultaneously –

U, C models (8 ohms)	
FRONT L/R	80 W + 80 W
R, T, K, A, B, G, F, L, S, H, J models (6 ohms)	
FRONT L/R	80 W + 80 W

Maximum Effective Output Power / 実用最大出力 (JEITA)

(1 kHz, 10 % THD, 6 ohms / 1 channel driven)

[R, T, K, L, S, H, J models]

FRONT L/R	135 W/ch
CENTER	135 W
SURROUND L/R	135 W/ch

Dynamic Power Per Channel / ダイナミックパワー (IHF)

FRONT L/R (1 channel driven)

U, C models	
(8 / 6 / 4 / 2 ohms)	110 / 130 / 160 / 180 W
R, T, K, A, B, G, F, L, S, H, J models	
(6 / 4 / 2 ohms)	110 / 130 / 160 W

Dynamic Headroom [U, C models]

8 ohms0.2 dB

Damping Factor / ダンピングファクタ (20 Hz to 20 kHz, 8 ohms)

FRONT L/R to SPEAKER-A120 or more

Input Sensitivity/Input Impedance / 入力感度/入力インピーダンス

(1 kHz, 100 W/8 ohms)

AV5 etc.200 mV / 47 k-ohms

Maximum Input Signal / 最大許容入力 (1 kHz, 0.5 % THD)

AV5 etc. (EFFECT ON)2.3 V

Output Level/Output Impedance / 出力電圧/出力インピーダンス

AV OUT200 mV / 1.2 k-ohms

SUBWOOFER (2 ch stereo and FRONT SP: small)
.....1 V / 1.2 k-ohms

Headphone Jack Rated Output/Output Impedance /

ヘッドホン出力/出力インピーダンス (1 kHz, 50 mV, 8 ohms)

AV5 etc. input100 mV / 470 ohms

Frequency Response / 再生周波数帯域 (10 Hz to 100 kHz)

AV5 etc., FRONT0 / -3 dB

Signal to Noise Ratio / 信号対雑音比 (IHF-A network)

AV5, etc. (PURE DIRECT) to SP OUT (Input shorted 250 mV)

.....100 dB or more

Residual Noise / 残留ノイズ (IHF-A network)

FRONT L/R to SP OUT150 μ V or less

Channel Separation / チャンネルセパレーション

AV5, etc. (Input 5.1 k-ohms shorted)

1 kHz / 10 kHz60 dB or more / 45 dB or more

Volume Control/Step / 音量可変範囲/ステップ

.....MUTE / -80 dB to +16.5 dB / 0.5 dB step

Tone Control Characteristics / トーンコントロール特性

FRONT L/R

Bass

Boost/Cut \pm 6 dB / 0.5 dB step, at 50 Hz

Turnover frequency350 Hz

Treble

Boost/Cut \pm 6 dB / 0.5 dB step, at 20 kHz

Turnover frequency3.5 kHz

Filter Characteristics / フィルタ特性

FRONT, CENTER, SURROUND small (H.P.F.)

.....fc=40/60/80/90/100/110/120/160/200 Hz, 12 dB/oct.

SUBWOOFER small (L.P.F.)

.....fc=40/60/80/90/100/110/120/160/200 Hz, 24 dB/oct.

Optical Jack, Coaxial Jack Support Frequencies /

Optical 端子、Coaxial 端子 対応 fs

.....32 kHz to 96 kHz

■ Video Section / ビデオ部

Video Signal Type / ビデオ信号方式

U, C, R, K, S, J modelsNTSC

T, A, B, G, F, L, H modelsPAL

Composite Video Signal Level / コンポジットビデオ信号

.....1 Vp-p / 75 ohms

Component Video Signal Level / コンポーネントビデオ信号

Y1 Vp-p / 75 ohms

Pb/Pr0.7 Vp-p / 75 ohms

Video Maximum Input Level / ビデオ最大許容入力

(VIDEO Conversion Off)

.....1.5 Vp-p or more

Video Signal to Noise Ratio / ビデオ信号対雑音比

.....50 dB or more

Monitor Out Frequency Response / モニター出力周波数帯域

(VIDEO Conversion Off)

Component video signal level / コンポーネントビデオ信号

.....5 Hz to 60 MHz, -3 dB

■ FM Tuner Section / FM チューナー部

Tuning Range / 受信周波数範囲

U, C models87.5 MHz to 107.9 MHz
 R, L, S, H models ..87.5 MHz to 108.0 MHz / 87.50 MHz to 108.00 MHz
 T, K, A, B, G, F models87.50 MHz to 108.00 MHz
 J model76.0 MHz to 90.0 MHz

50 dB Quieting Sensitivity / 50 dB SN 感度 (IHF)

(1 kHz, 100 % MOD.)
 Mono 3 μV (20.8 dBf)

Signal to Noise Ratio / 信号対雑音比 (IHF)

Mono71 dB
 Stereo69 dB

Harmonic Distortion / 歪率 (1 kHz)

Mono 0.3 %
 Stereo 0.5 %

Antenna Input / アンテナ入力

..... 75 ohms unbalanced

■ AM Tuner Section / AM チューナー部

Tuning Range / 受信周波数範囲

U, C models 530 to 1,710 kHz
 R, L, S, H models 530 to 1,710 kHz / 531 to 1,611 kHz
 T, K, A, B, G, F, J models 531 to 1,611 kHz

Antenna / アンテナ

..... Loop antenna

■ DAB Tuner Section [RX-V500D]

Tuning Range

..... 174 to 240 MHz (Band III)

Support Audio Format

.....MPEG 1 Layer II / MPEG 4 HE AAC v2 (AAC+)

Antenna

..... 75 ohms unbalanced

■ General / 総合

Power Supply / 電源電圧

U, C models AC 120 V, 60 Hz
 R, S modelsAC 110–120/220–240 V, 50/60 Hz
 T model AC 220 V, 50 Hz
 K model AC 220 V, 60 Hz
 A model AC 240 V, 50 Hz
 B, G, F models AC 230 V, 50 Hz
 L, H models AC 220–240 V, 50/60 Hz
 J model AC 100 V, 50/60 Hz

Power Consumption / 消費電力

U, C models270 W / 320 VA
 R, T, K, A, B, G, F, L, S, H models 280 W
 J model 175 W

Standby Power Consumption (reference data) /

待機時消費電力 (参考値)

HDMI control: OFF / Standby through: OFF0.1 W or less
 HDMI control: ON / Standby through: ON
 INPUT: HDMI1 (HDMI no signal)
 1.0 W (typical)
 Network standby: ON 2.0 W (typical)

Maximum Power Consumption [R, S models]

..... 600 W

Dimensions (W x H x D) / 寸法 (幅 × 高さ × 奥行き)

..... 435 x 161 x 315 mm (17-1/8" x 6-3/8" x 12-3/8")

Weight / 質量

..... 8.1 kg (17.9 lbs.)

Finish / 仕上げ

[RX-V475]
 T modelGold color
 U, C, R, T, K, A, B, G, F, L, S, H, J models Black color
 R, K, A, B, G, F, L models Titanium color
 [HTR-4066]
 T modelGold color
 U, R, T, K, A, B, G, F, L models Black color
 K, A, B, G models Titanium color
 [RX-V500D]
 A, B, G models Black color
 A, B, G models Titanium color

Accessories / 付属品

Remote controlx 1
 Battery (R03, AAA, UM-4)x 2
 FM antenna (1.4 m) (RX-V475/HTR-4066)x 1
 AM antenna (1 m) (RX-V475/HTR-4066)x 1
 DAB/FM antenna (1.6 m) (RX-V500D)x 1
 YPAO microphone (6 m)x 1
 Remote control sheet (T model)x 1
 Antenna isolator (T model)x 1
 Conversion plug (T model)x 1

* Specifications are subject to change without notice.

※ 参考仕様および外観は、製品の改良のため予告なく変更することがあります。

UU.S.A. model GEuropean model
 CCanadian model F Russian model
 RGeneral model LSingapore model
 T Chinese model SBrazilian model
 KKorean model HThai model
 AAustralian model J Japanese model
 BBritish model



Manufactured under license from Dolby Laboratories. Dolby, Pro Logic, Surround EX and the double-D symbol are trademarks of Dolby Laboratories.

ドルビーラボラトリーズからの実施権に基づき製造されています。Dolby、ドルビー、Pro Logic、Surround EX およびダブルD記号はドルビーラボラトリーズの商標です。



DTS-HD, the Symbol, & DTS-HD and the Symbol together are registered trademarks of DTS, Inc. Product includes software. © DTS, Inc. All Rights Reserved.

DTS-HD および記号は DTS 社の登録商標です。また、DTS-HD ロゴは DTS 社の商標です。製品にはソフトウェアを含みます。著作権 DTS 社。不許複製。

AirPlay, the AirPlay logo, iPad, iPhone, iPod, iPod nano, and iPod touch are trademarks of Apple Inc., registered in the U.S. and other countries.

AirPlay, AirPlay ロゴ、iPad、iPhone、iPod、iPod nano、iPod touch は、米国およびその他の国々で登録されている Apple Inc. の商標です。



Fraunhofer Institut
Integrierte Schaltungen

MPEG Layer-3 audio coding technology licensed from Fraunhofer IIS and Thomson.

MPEG Layer 3 音声圧縮技術は Fraunhofer IIS および Thomson によってライセンス供与されています。



This receiver supports network connections.

本機はネットワーク接続に対応しています。



HDMI, the HDMI Logo, and High-Definition Multimedia Interface are trademarks or registered trademarks of HDMI Licensing LLC in the United States and other countries.

HDMI、HDMI ロゴ、および High-Definition Multimedia Interface は、米国およびその他の国々における HDMI Licensing LLC の商標または登録商標です。



MHL and the MHL logo are a trademark, registered trademark or service mark of MHL, LLC in the United States and/or other countries.

MHL、MHL ロゴ、および Mobile High-Definition Link は、米国およびその他の国々における MHL, LLC の商標または登録商標です。

x.v.Color™

“x.v.Color” is a trademark of Sony Corporation.

「x.v.Color」は、ソニー株式会社の商標です。



“SILENT CINEMA” is a trademark of Yamaha Corporation.

「サイレントシネマ™ SILENT CINEMA™」はヤマハ株式会社の登録商標です。



DLNA™ and DLNA CERTIFIED™ are trademarks or registered trademarks of Digital Living Network Alliance. All rights reserved. Unauthorized use is strictly prohibited.

DLNA™ および DLNA CERTIFIED™ はデジタルリビングネットワークアライアンスの登録商標です。無断使用は固く禁じられています。

Windows™

Windows is a registered trademark of Microsoft Corporation in the United States and other countries.

Windows は米国 Microsoft Corporation の米国およびその他の国における登録商標です。

Internet Explorer, Windows Media Audio and Windows Media Player are either registered trademarks or trademarks of Microsoft Corporation in the United States and/or other countries.

Internet Explorer、Windows Media Audio、Windows Media Player は、米国 Microsoft Corporation の米国およびその他の国における登録商標、または商標です。

Android™

Android is a trademark of Google Inc.

Android は、Google Inc. の商標または登録商標です。




Digital Audio Broadcasting



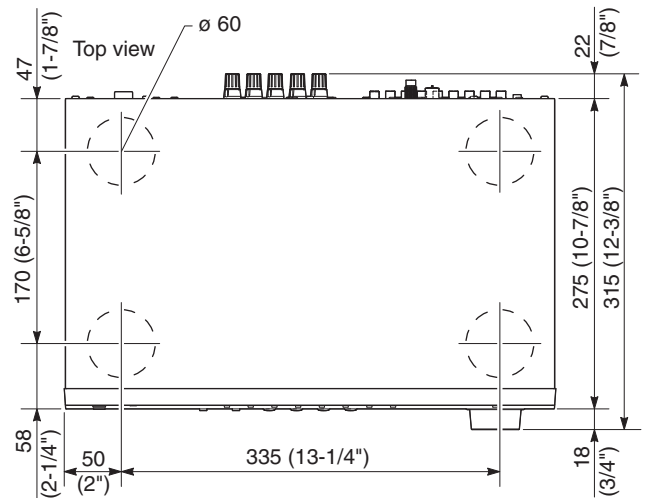
Digital Audio Broadcasting

The unit supports DAB/DAB+ tuning.

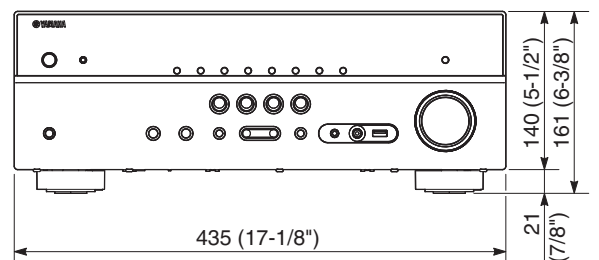


AAC ロゴマーク  はドルビーラボラトリーズの商標です。

• DIMENSIONS



Front view



Unit: mm (inch)
単位: mm (インチ)

• SET MENU TABLE

MAIN MENU	SUB-MENU	PARAMETER	VALUE [INITIAL VALUE]	
Speaker	Configuration	Subwoofer	[Use] / None	
		Front	[Small] / Large	
		Center	[Small] / Large / None	
		Surround	[Small] / Large / None	
		Crossover	40 Hz / 60 Hz / [80 Hz] / 90 Hz / 100Hz / 110 Hz / 120 Hz / 160 Hz / 200 Hz	
		Subwoofer Phase	[Normal] / Reverse	
		Extra Bass	[Off] / On * "Extra Bass" is not available when "Subwoofer" is set to "None," or when "Front" is set to "Small." "Extra Bass" は "Subwoofer : None" または "Front : Small" と設定した場合、選択不可能	
	Distance	Unit	Meter / Feet	
		Front L	0.30 to 24.00 m, [3.00 m], 0.05 m step	
		Front R	1.0 to 80.0 ft, [10.0 ft], 0.2 ft step	
		Center	0.30 to 24.00 m, [2.60 m], 0.05 m step 1.0 to 80.0 ft, [8.6 ft], 0.2 ft step	
		Surround L	0.30 to 24.00 m, [2.40 m], 0.05 m step	
		Surround R	1.0 to 80.0 ft, [8.0 ft], 0.2 ft step	
		Subwoofer	0.30 to 24.00 m, [3.00 m], 0.05 m step 1.0 to 80.0 ft, [10.0 ft], 0.2 ft step	
	Level	Front L	-10.0 to +10.0 dB, [0.0 dB], 0.5 dB step	
		Front R		
		Center	-10.0 to +10.0 dB, [-1.0 dB], 0.5 dB step	
		Surround L		
		Surround R	-10.0 to +10.0 dB, [0.0 dB], 0.5 dB step	
		Subwoofer		
	Equalizer	EQ Select	PEQ / [GEQ] / Off * "PEQ" is available only when the YPAO has been performed. "PEQ"は自動測定 (YPAO) 実行後のみ選択可能	
		GEQ Edit	Front L	63 Hz
			Front R	160 Hz
			Center	400 Hz
			Surround L	1 kHz
			Surround R	2.5 kHz
				6.3 kHz
16 kHz				
	-6.0 to +6.0 dB, [0 dB], 0.5 dB step			
Test Tone	[Off] / On			

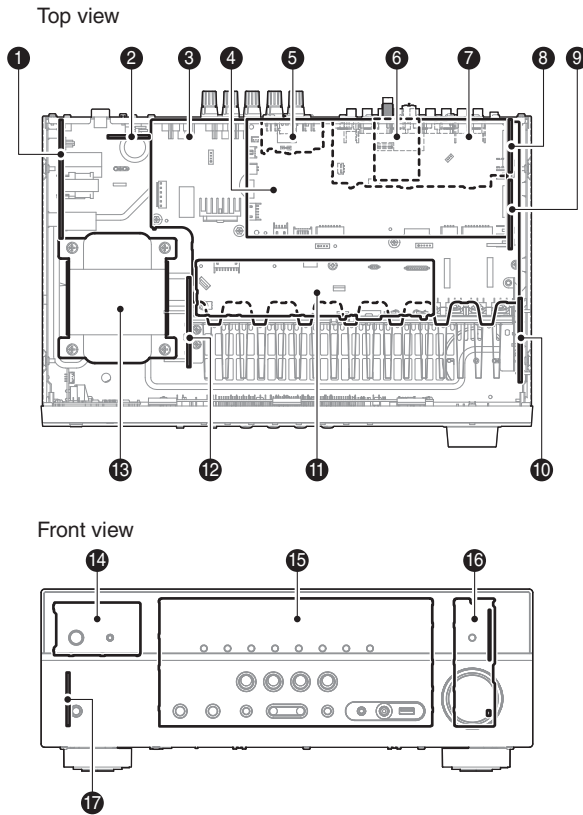
RX-V475/HTR-4066/
RX-V500D

MAIN MENU	SUB-MENU	PARAMETER	VALUE [INITIAL VALUE]	
HDMI	Configuration	HDMI Control	[Off] / On (U, C, R, T, K, A, B, G, F, L, S, H models) Off / [On] (J model)	
		Audio Output	Amp	Off / [On]
			HDMI OUT (TV)	[Off] / On
		* This setting is available only when "HDMI Control" is set to "Off". "HDMI Control" が "Off" の場合のみ設定可能		
		Standby Through	[Off] / On * This setting is available only when "HDMI Control" is set to "Off". "HDMI Control" が "Off" の場合のみ設定可能	
		TV Audio Input	AV1 / AV2 / AV3 / [AV4] / AV5 / AV6 / AUDIO * This setting is available only when "HDMI Control" is set to "On". "HDMI Control" が "On" の場合のみ設定可能	
		Standby Sync	Off / On / [Auto] * This setting is available only when "HDMI Control" is set to "On". "HDMI Control" が "On" の場合のみ設定可能	
		ARC	Off / [On] * This setting is available only when "HDMI Control" is set to "On". "HDMI Control" が "On" の場合のみ設定可能	
		SCENE	BD / DVD	Off / [On]
			TV	
NET	[Off] / On			
RADIO				
* This setting is available only when "HDMI Control" is set to "On". "HDMI Control" が "On" の場合のみ設定可能				
Sound	DSP Parameter	CINEMA DSP 3D Mode	Off / [On]	
		Panorama	[Off] / On	
		Center Width	0 to 7, [3]	
		Dimension	-3 to +3, [0]	
		Center Image	0.0 to 1.0, [0.3]	
	Lipsync	Select	Manual / [Auto]	
		Adjustment	0 to 250 ms, [0 ms], 1 ms step	
	Volume	Dynamic Range	[Maximum] / Standard / Min/Auto	
Max Volume		-30.0 to +15.0 dB / +16.5 dB (Maximum volume), [+16.5 dB], 5.0 dB step		
Initial Volume		[Off] / Mute / -80.0 to +16.5 dB, 0.5 dB step		
ECO	Auto Power Standby	Power Mode U, C, R, T, K, A, L, S, H, J models: [Off] / 2 hours / 4 hours / 8 hours / 12 hours B, G, F models: Off / 2 Hours / 4 Hours / [8 Hours] / 12 Hours		
	ECO Mode	[Off] / On		

RX-V475/HTR-4066/
RX-V500D

MAIN MENU	SUB-MENU	PARAMETER	VALUE [INITIAL VALUE]	
Function	Input Rename		Input sources: HDMI1 / HDMI2 / HDMI3 / HDMI4 / HDMI5 / AV1 / AV2 / AV3 / AV4 / AV5 / AV6 / AUDIO / USB / V-AUX Input is possible to 9 characters Input possible Character type Capital: A to Z Small: a to z Figure: 0 to 9 Symbols: / () = + , - etc. Space Preset name select: Blu-ray / DVD / SetTopBox / Game / TV / DVR / CD / CD-R / Satellite / VCR / Tape / MD / PC / iPod / HD DVD	
Function	Dimmer		-4 to 0 (higher to brighten), [0]	
	Memory Guard		[Off] / On	
	DC OUT	Power Mode	[Continuous] / Power Sync.	
Network	Information	Status	Disconnect / Connect (status of the NETWORK jack)	
		MAC Address	xx:xx:xx:xx:xx:xx	
		IP Address	xxx.xxx.xxx. x	
		Subnet Mask	xxx.xxx.xxx. x	
		Default Gateway	xxx.xxx.xxx. x	
		DNS Server	(Primary)	xxx.xxx.xxx. x
			(Secondary)	xxx.xxx.xxx. x
		vTuner (Internet radio) ID	xxxxxxxxxxxx	
	IP Address	DHCP	Off / [On]	
		* The following setting is available only when "DHCP" is set to "Off". 以下は "DHCP" が "Off" の場合のみ設定可能		
		IP Address	xxx.xxx.xxx. x	
		Subnet Mask	xxx.xxx.xxx. x	
		Default Gateway	xxx.xxx.xxx. x	
		DNS Server	(Primary)	xxx.xxx.xxx. x
(Secondary)			xxx.xxx.xxx. x	
Network	MAC Address Filter		[Off] / On	
		MAC Address 1-10	xx:xx:xx:xx:xx:xx * This setting is available only when "MAC Address Filter" is set to "On". "MAC Address Filter" が "On" の場合のみ設定可能	
	DMC Control		Disable / [Enable]	
	Network Standby		[Off] / On	
	Network Name		Input is possible to 15 characters	
	Network Update	Perform Update		
		Firmware Version		x.xx
		System ID		xxxxxxxx
Language			English (English) / 日本語 (Japanese) / Français (French) / Deutsch (German) / Español (Spanish) / Русский (Russian) / Italiano (Italian) / 中文 (Chinese)	
(U, C, R, T, K, A, B, G, F, L, S, H models)				

INTERNAL VIEW



- ① OPERATION (2) P.C.B.
- ② MAIN (4) P.C.B. (R, S models)
- ③ MAIN (1) P.C.B.
- ④ DIGITAL P.C.B.
- ⑤ OPERATION (8) P.C.B.
- ⑥ AM/FM TUNER (RX-V475/HTR-4066)
DAB P.C.B. (RX-V500D)
- ⑦ OPERATION (3) P.C.B.
- ⑧ MAIN (3) P.C.B.
- ⑨ MAIN (2) P.C.B.
- ⑩ MAIN (5) P.C.B.
- ⑪ OPERATION (4) P.C.B.
- ⑫ OPERATION (9) P.C.B.
- ⑬ POWER TRANSFORMER
- ⑭ OPERATION (5) P.C.B.
- ⑮ OPERATION (1) P.C.B.
- ⑯ OPERATION (6) P.C.B.
- ⑰ OPERATION (7) P.C.B.

SERVICE PRECAUTIONS / サービス時の注意事項

Safety measures

- Some internal parts in this product contain high voltages and are dangerous.
Be sure to take safety measures during servicing, such as wearing insulating gloves.
- Note that the capacitors indicated below are dangerous even after the power is turned off because an electric charge remains and a high voltage continues to exist there.
Before starting any repair work, connect a discharging resistor (5 k-ohms/10 W) to the terminals of each capacitor indicated below to discharge electricity.
The time required for discharging is about 30 seconds per each.

C2084 and C2085 on MAIN (1) P.C.B.
C5407 on OPERATION (2) P.C.B.

For details, refer to "PRINTED CIRCUIT BOARDS".

安全対策

- この製品の内部には高電圧部分があり危険です。修理の際は、絶縁性の手袋を使用するなどの安全対策を行ってください。
- 下記のコンデンサには電源を OFF にした後も電荷が残り、高電圧が維持されており危険です。
修理作業前に放電用抵抗 (5 k Ω /10 W) を下記の各コンデンサの端子間に接続して放電してください。
放電所用時間は各々約 30 秒間です。

MAIN (1) P.C.B. の C2084、C2085
OPERATION (2) P.C.B. の C5407

詳しくは "PRINTED CIRCUIT BOARDS" を参照してください。

■ DISASSEMBLY PROCEDURES / 分解手順

(Remove parts in the order as numbered.)

Disconnect the power cable from the AC outlet.

(番号順に部品を外してください。)

AC電源コンセントから、電源コードを抜いてください。

1. Removal of Top Cover

- Remove 4 screws (①) and 5 screws (②). (Fig. 1)
- Lift the rear of the top cover to remove it. (Fig. 1)

1. トップカバーの外し方

- ①のネジ4本、②のネジ5本を外します。(Fig. 1)
- トップカバーの後部を持ち上げ、外します。(Fig. 1)

2. Removal of Front Panel Unit

- Remove 7 screws (③), and remove W4501 and W4761. (Fig. 1)
- Remove CB21, CB61, CB371, CB477 and CB952. (Fig. 1)
- Unlock and remove CB525. (Fig. 1)
- Release 2 hooks on both ends and remove the front panel unit. (Fig. 1)

2. フロントパネルユニットの外し方

- ③のネジ7本を外し、W4501、W4761を外します。(Fig. 1)
- CB21、CB61、CB371、CB477、CB952を外します。(Fig. 1)
- ロックを外し、CB525を外します。(Fig. 1)
- フック2箇所を外し、フロントパネルユニットを外します。(Fig. 1)

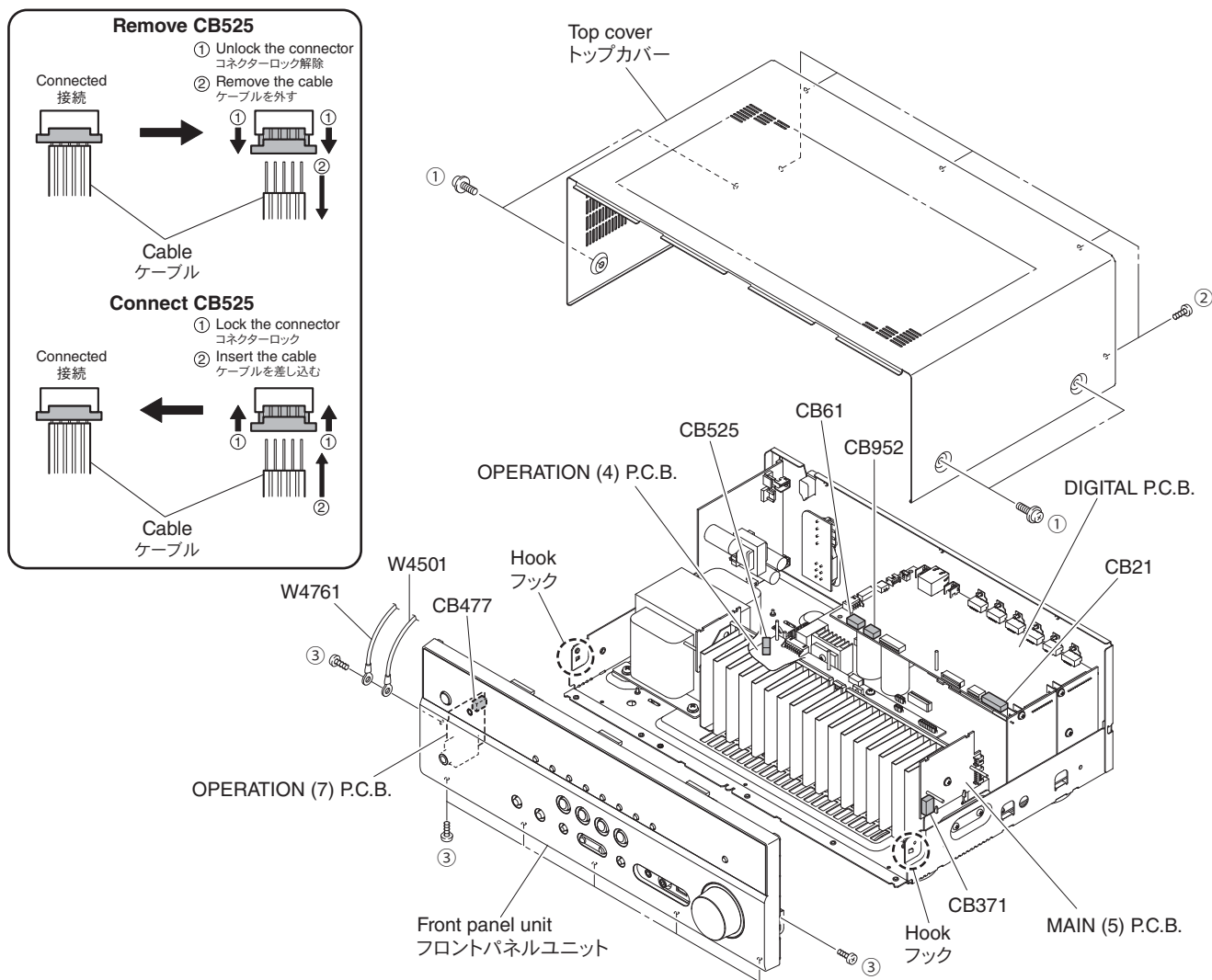


Fig. 1

3. Removal of DIGITAL P.C.B.

- a. Remove 2 screws (④) and 6 screws (⑤). (Fig. 3)
- b. Remove 2 screws (⑥). (Fig. 2)
- c. Remove CB22, CB26, CB64, CB65 and CB91. (Fig. 2)
- d. Unlock and remove CB24 and CB25. (Fig. 2)
- e. Remove the DIGITAL P.C.B. which is connected directly to the MAIN (2) P.C.B. and MAIN (3) P.C.B. with board-to-board connectors. (Fig. 2)

3. DIGITAL P.C.B. の外し方

- a. ④ のネジ 2 本、⑤ のネジ 6 本を外します。(Fig. 3)
- b. ⑥ のネジ 2 本を外します。(Fig. 2)
- c. CB22、CB26、CB64、CB65、CB91 を外します。(Fig. 2)
- d. ロックを外し、CB24、CB25 を外します。(Fig. 2)
- e. DIGITAL P.C.B. を外します。ただし、DIGITAL P.C.B. は MAIN (2) P.C.B.、MAIN (3) P.C.B. に基板対基板コネクタで直接接続されています。(Fig. 2)

4. Removal of AMP Unit

- a. Remove 4 screws (⑦), 4 screws (⑧) and 2 screws (⑨). (Fig. 2)
- b. Remove 3 screws (⑩). (Fig. 3)
- c. Remove the amp unit. (Fig. 2)

4. アンプユニットの外し方

- a. ⑦ のネジ 4 本、⑧ のネジ 4 本、⑨ のネジ 2 本を外します。(Fig. 2)
- b. ⑩ のネジ 3 本を外します。(Fig. 3)
- c. アンプユニットを外します。(Fig. 2)

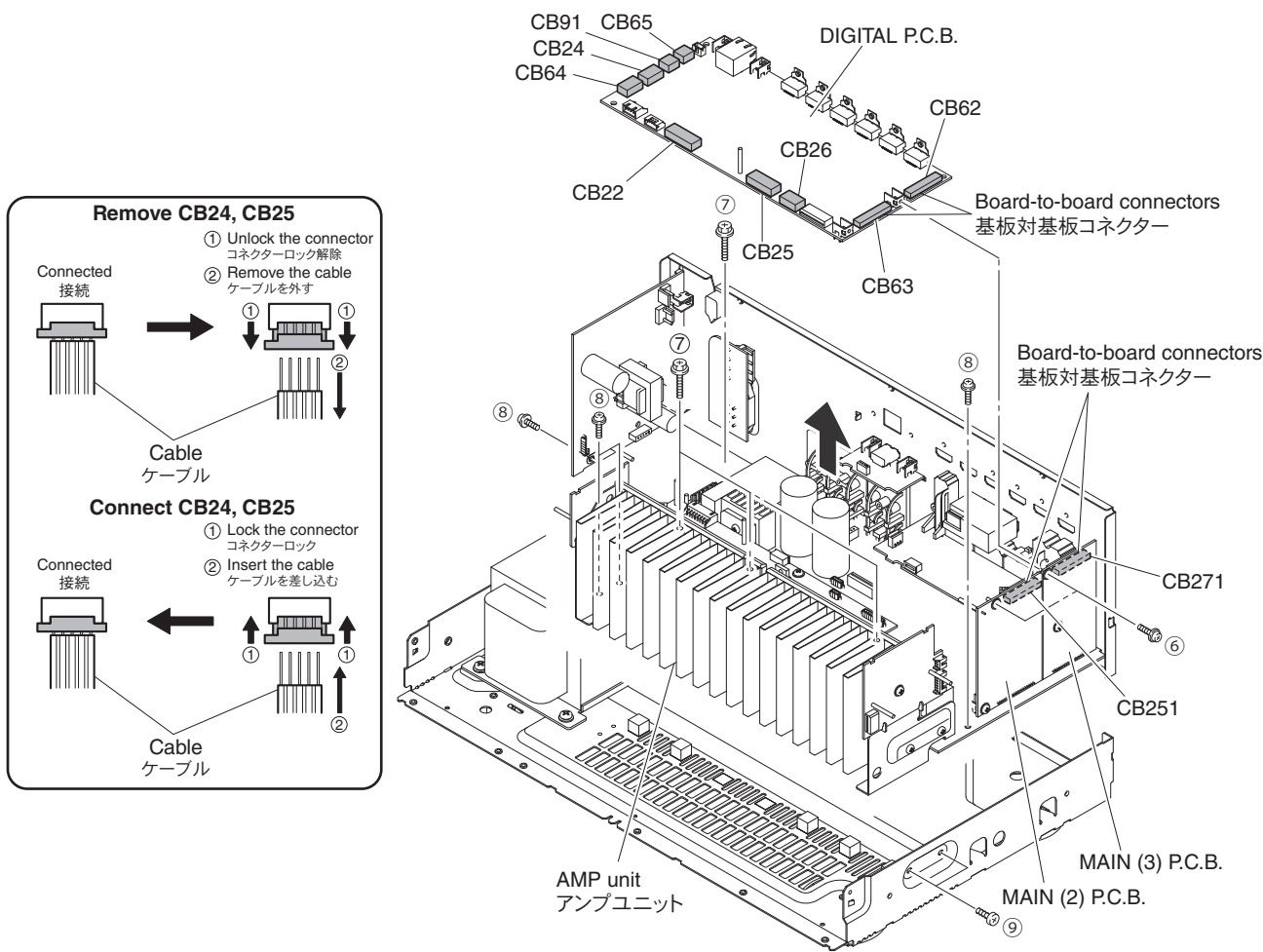


Fig. 2

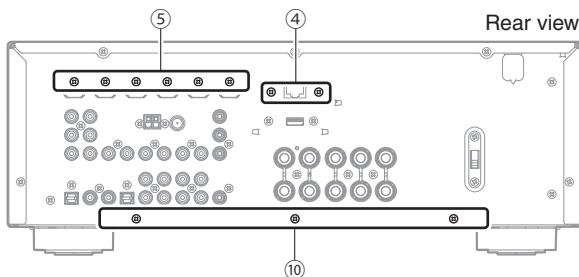


Fig. 3

RX-V475/HTR-4066/
RX-V500D

When checking the MAIN (1) P.C.B.:

- Place the P.C.B.s (with rear panel) upright. (Fig. 4)
- Connect the heatsink and rear panel to the chassis with a ground lead or the like. (Fig. 4)
- Reconnect all cables (connectors) that have been disconnected.
- When connecting the flexible flat cable, be careful with polarity.

MAIN (1) P.C.B. をチェックする場合には：

- リアパネルと一緒に P.C.B. を立ち上げて置きます。(Fig. 4)
- ヒートシンク、リアパネルをリード線等でシャーシに接続してください。(Fig. 4)
- 外したケーブル（コネクタ）をすべて接続します。
- フラットケーブルを接続する際、極性に注意してください。

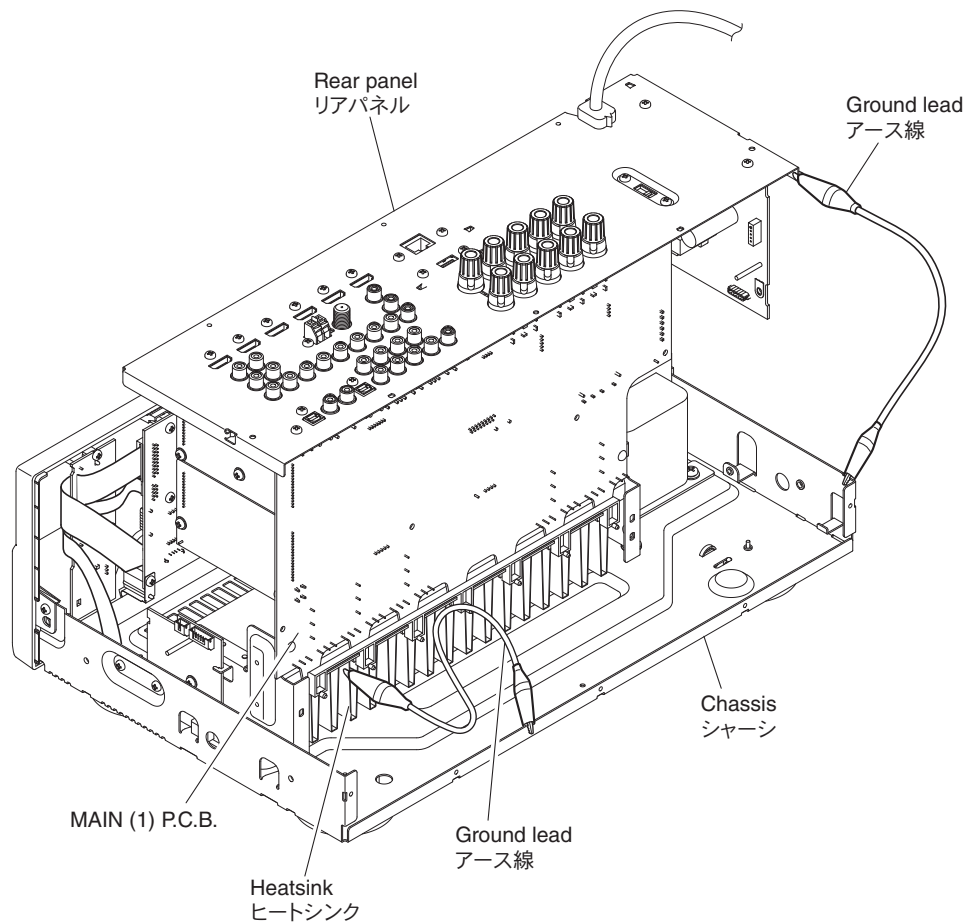


Fig. 4

When checking the DIGITAL P.C.B.:

- Put the rubber sheet and cloth over this unit, and place the DIGITAL P.C.B. on them. (Fig. 5)
- Connect ST951 on DIGITAL P.C.B. to the chassis with a ground lead. (Fig. 5)
- Reconnect all cables (connectors) that have been disconnected. Be sure to use the P.C.B. CHECKING JIG (Part No. ZG780000) to connect between the following connectors.
CB62 on DIGITAL P.C.B. – CB271 on MAIN (3) P.C.B.
CB63 on DIGITAL P.C.B. – CB251 on MAIN (2) P.C.B.
- When connecting the flexible flat cable, be careful with polarity.

DIGITAL P.C.B. をチェックする場合には：

- 本機の上にゴムシートと布を敷き、その上に DIGITAL P.C.B. を置きます。(Fig. 5)
- DIGITAL P.C.B. の ST951 のアースをリード線でシャーシに接続してください。(Fig. 5)
- 外したケーブル (コネクタ) をすべて接続します。ただし下記のコネクタ間を接続するには P.C.B. チェック用ジグ (部品番号: ZG780000) を使用してください。
DIGITAL P.C.B. の CB62 – MAIN (3) P.C.B. の CB271
DIGITAL P.C.B. の CB63 – MAIN (2) P.C.B. の CB251
- フラットケーブルを接続する際、極性に注意してください。

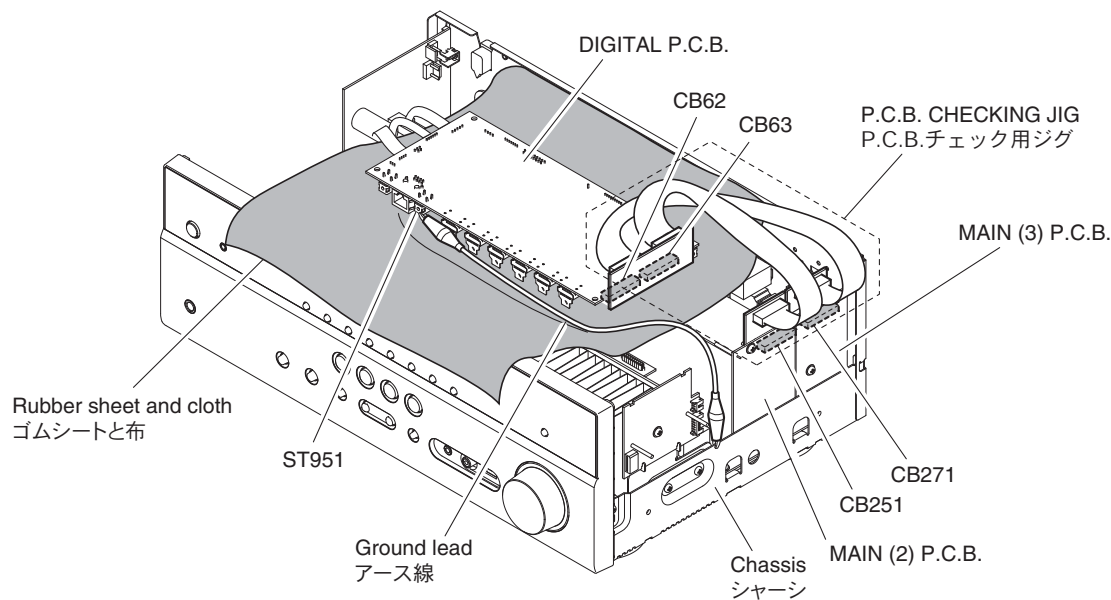


Fig. 5

■ UPDATING FIRMWARE / ファームウェアのアップデート

When the following parts are replaced, the firmware must be updated to the latest version.

- DIGITAL P.C.B.
- IC2 on DIGITAL P.C.B.
- IC43 on DIGITAL P.C.B.
- IC953 on DIGITAL P.C.B.

● Confirmation of firmware version

Before and after updating the firmware, check the firmware version by using the self-diagnostic function menu.

Start up the self-diagnostic function and select "S4. ROM VERSION/CHECKSUM" menu.

Using the sub-menu, have the firmware version displayed, and note them down.

(For details, refer to "SELF-DIAGNOSTIC FUNCTION")

- * When the firmware version is different from written one after updating, perform the updating procedure again from the beginning.

● Initializing the back-up IC (EEPROM: IC22 on DIGITAL P.C.B.)

After updating the firmware, the back-up IC MUST be initialized by the following procedure store the setting information (soundfield parameters, system memory and tuner presetting, etc.) properly.

Start up the self-diagnostic function and select "S3. FACTORY PRESET" menu.

(For details, refer to "SELF-DIAGNOSTIC FUNCTION")

Select "PRESET RSRV", press the "⏻" (Power) key to turn off the power once and turn on the power again. Then the back-up IC is initialized.

● Required Tools

- USB storage device
- Firmware
 - RX-V475/HTR-4066: R0326-xxxx.bin
 - RX-V500D: R0330-xxxx.bin

● Preparation

1. Download the latest firmware from the specified download source to the folder of the PC.
2. Copy the latest firmware from the PC to the root folder of the USB storage device.

Note: When the latest firmware is copied to a sub-folder of the USB storage device, the update will not proceed.

下記の部品を交換した場合、ファームウェアを最新バージョンにアップデートする必要があります。

- DIGITAL P.C.B.
- DIGITAL P.C.B. の IC2
- DIGITAL P.C.B. の IC43
- DIGITAL P.C.B. の IC953

● ファームウェアのバージョンの確認

ファームウェアのアップデートの前後に、ファームウェアのバージョンをダイアグで確認します。

ダイアグを起動し、“S4. ROM VERSION/CHECKSUM”メニューを選択します。

サブメニューでファームウェアのバージョンを表示し、それらを書きとめます。

(詳細は“ダイアグ”を参照してください。)

- ※ アップデート後、ファームウェアのバージョンが書き込まれたものと異なる場合、アップデートの操作を最初からやり直してください。

● バックアップ IC の初期化 (EEPROM : DIGITAL P.C.B. の IC22)

ファームウェアのアップデート後、設定情報（音場プログラムのパラメーターやシステムメモリー、チューナープリセット等）を正常に保存するために、下記の方法でバックアップ IC を初期化する必要があります。

本機のダイアグを起動し、“S3. FACTORY PRESET”メニューを選択します。

(詳細は“ダイアグ”を参照してください。)

“PRESET RSRV”を選択し、“⏻”（電源）キーを押して電源を一度きってから、もう一度電源を入れるとバックアップ IC が初期化されます。

● 必要なツール

- USB フラッシュメモリー
- ファームウェア
 - RX-V475 : R0326-xxxx.bin

● 準備

1. 指定のダウンロード先から、最新のファームウェアを PC のフォルダへダウンロードしてください。
2. PC から USB フラッシュメモリーのルートフォルダへ最新のファームウェアをコピーします。

注意：最新のファームウェアをサブフォルダにコピーした場合、書き込みはできません。

● **Operation Procedures**

1. Insert the USB storage device to the USB jack. (Fig. 1)
2. While pressing the "INFO" key, connect the power cable to the AC outlet. (Fig. 1)

● **操作手順**

1. USB 端子に USB フラッシュメモリーを差し込みます。(Fig. 1)
2. "INFO" キーを押しながら、電源コードを AC コンセントに接続します。(Fig. 1)

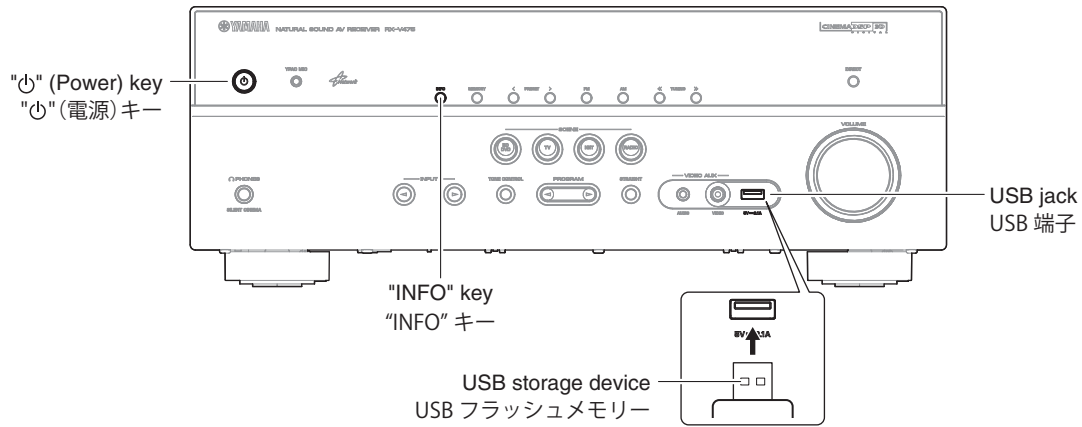


Fig. 1

3. The USB UPDATE mode is activated and "USB UPDATE" is displayed. Writing of the firmware starts automatically. (Fig. 2)

3. USB UPDATE モードが起動し、"USB UPDATE" が表示されて、ファームウェアの書き込みが自動的に開始されます。(Fig. 2)

Writing is started. / 書き込み開始

Writing being executed. / 書き込み中



Fig. 2

4. When writing of the firmware is completed, "UPDATE SUCCESS", "PLEASE..." and "POWER OFF!" are displayed repeatedly. (Fig. 3)

4. ファームウェアの書き込み完了後、"UPDATE SUCCESS"、"PLEASE..."、"POWER OFF!" が繰り返し表示されます。(Fig. 3)

Writing is completed. / 書き込み完了

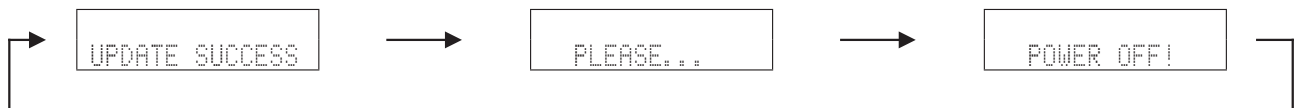


Fig. 3

5. Press the "⏻" (Power) key to turn off the power. (Fig. 1)
6. Remove the USB storage device from the USB jack. (Fig. 1)
7. Start up the self-diagnostic function and check that the firmware version is the same as written one. (For details, refer to "Confirmation of firmware version")

5. "⏻" (電源) キーを押して電源を切ります。(Fig. 1)
6. USB 端子から USB フラッシュメモリーを抜きます。(Fig. 1)
7. ダイアグを起動し、ファームウェアのバージョンが、書き込まれたものと同じであることを確認します。(詳細は "ファームウェアのバージョンの確認" を参照してください。)

RX-V475/HTR-4066/
RX-V500D

■ SELF-DIAGNOSTIC FUNCTION / ダイアグ（自己診断機能）

This unit has self-diagnostic functions that are intended for inspection, measurement and location of faulty point.

There are 27 main menu items, each of which has sub-menu items.

Listed in the table below are main menu items and sub-menu items.

Note: Some of the menu items listed below may not apply to the models covered in this service manual.

本機には、検査、測定、不良個所の発見を目的にしたダイアグ（自己診断機能）があります。

ダイアグには 27 個のメインメニューがあり、そのそれぞれにサブメニューがあります。

下表はダイアグメニュー一覧です。

注意：以下のメニュー項目の一部は、このサービスマニュアルに記載されているモデルに適用されない場合があります。


No.	Main menu	No.	Sub-menu
A: Audio system / オーディオ系			
A1	DSP AUDIO	1	DSP MARGIN
		2	DSP NON MARGIN
		3	DSP FULL CENTER
		4	DSP FULL SURROUND
		5	DSP FULL SURROUND BACK (Not for service / サービスでは使用しません)
		6	DSP FULL SUBWOOFER
A2	DIRECT AUDIO	1	ANALOG DIRECT
		2	NET DIRECT (Not for service / サービスでは使用しません)
A3	HDMI AUDIO	1	HDMI AUTO
		2	ARC
A4	SPEAKERS SET	1	FULL MUTE
		2	BI-AMP (Not for service / サービスでは使用しません)
		3	AC B : HIGH (Not for service / サービスでは使用しません)
		4	AC B : LOW (Not for service / サービスでは使用しません)
A5	MIC CHECK	1	MIC ROUTE CHECK
A6	INVALID ITEM (Not for service / サービスでは使用しません)	1	INVALID ITEM
		2	INVALID ITEM
		3	INVALID ITEM
A7	DIR PLL	1	DIR PLL
A8	MANUAL TEST	1	TEST ALL
H: HDMI / HDMI			
H1	INVALID ITEM (Not for service / サービスでは使用しません)	1	INVALID ITEM
		2	INVALID ITEM
D: Display system / 表示系			
D1	FL CHECK	1	INITIAL DISPLAY
		2	ALL SEGMENT OFF
		3	ALL SEGMENT ON
		4	CHECK PATTERN 1
		5	CHECK PATTERN 2
U: Universal system / 特殊端子系			
U1	USB	1	USB FRONT 1 TRACK
		2	USB BOOT (Not for service / サービスでは使用しません)
		3	USB_VBUS HIGH POWER (Not for service / サービスでは使用しません)
		4	INVALID ITEM
N: Network system / ネットワーク系			
N1	NETWORK	1	IP ADDRESS CHECK
		2	MAC ADDRESS CHECK
		3	LINE NOISE 100 MDI (Not for service / サービスでは使用しません)
		4	LINE NOISE 100 MDIX (Not for service / サービスでは使用しません)
		5	LINE NOISE 10 MDI (Not for service / サービスでは使用しません)
		6	LINE NOISE 10 MDIX (Not for service / サービスでは使用しません)
		7	LINK CHECK
		8	EXT TEST

No.	Main menu	No.	Sub-menu
C: Communication system / 通信・バスライン系			
C1	DIGITAL PCB CHECK	1	ALL
		2	MCPU OSD
		3	OSD HDMI
		4	VIDEO I/F (Not for service / サービスでは使用しません)
		5	BUS DIR
		6	BUS DSP
		7	EEPROM
		8	TUNER
C2	HDMI INFO	1	HDMI MODEL NAME
		2	HDMI PRODUCT ID (Not for service / サービスでは使用しません)
C3	NETWORK IC CHECK	1	ALL
		2	NET RAM
		3	PHY TEST
		4	APL ID
V: Video system / ビデオ系			
V1	ANALOG VIDEO CHECK	1	ANALOG BYPASS
		2	MUTE CHECK
V2	DIGITAL VIDEO CHECK	1	HDMI REPEAT
		2	OSD-VIDEO OUT
R: Radio system / TUNER・衛星放送系			
R1	DAB (RX-V500D model)	1	SIGNAL QUALITY (Not for service / サービスでは使用しません)
		2	DAB MODULE VERSION
P: Power supply and protection system / 電源・プロテクション系			
P1	SYSTEM MONITOR	1	DC
		2	PS
		3	TMP
		4	OUTPUT LEVEL
		5	LIMITER CONTROL
		6	USB-VBUS
		7	KEY
P2	PROTECTION HISTORY	1	1. HISTORY 1
		2	1. POWER PORT
		3	1. LAST INPUT
		4	1. LAST VOLUME
		5	2. HISTORY 2
		6	2. POWER PORT
		7	2. LAST INPUT
		8	2. LAST VOLUME
		9	3. HISTORY 3
		10	3. POWER PORT
		11	3. LAST INPUT
		12	3. LAST VOLUME
		13	4. HISTORY 4
		14	4. POWER PORT
		15	4. LAST INPUT
		16	4. LAST VOLUME
T: Troubleshooting Information / サービス・設計用故障解析情報			
T1	TROUBLE SHOOTING INFORMATION	1	OPERATING TIME
		2	POWER-RELAY ON
		3	POWER AMP B
		4	OUTPUT LEVEL
		5	NRC (Net Restart Counter) (Not for service / サービスでは使用しません)

No.	Main menu	No.	Sub-menu
S: System and version system / システム・バージョン系			
S1	FIRMWARE UPDATE	1	DSP FIRMWARE UPDATE (Not for service / サービスでは使用しません)
S2	SET INFORMATION	1	INITIAL DISPLAY
		2	MODEL/DESTINATION
S3	FACTORY PRESET	1	PRESET INHIBIT
		2	PRESET RESERVED
S4	ROM VERSION/CHECKSUM	1	SYSTEM VERSION
		2	MICROPROCESSOR VERSION
		3	MICROPROCESSOR CHECKSUM
		4	DSP VERSION
		5	DSP CHECKSUM
		6	OSD VERISON
		7	OSD CHECKSUM
		8	NETWORK VERSION
		9	NETWORK CHECKSUM
		10	USB CONTROLLER VERSION (Not for service / サービスでは使用しません)
		11	USB CONTROLLER CHECKSUM (Not for service / サービスでは使用しません)
S5	SOFT SWITCH	1	SWITCH MODE
		2	MODEL NAME
S6	SYSTEM INFORMATION	1	MODEL/DESTINATION
		2	VERIFY (Not for service / サービスでは使用しません)


RX-V475/HTR-4066/
RX-V500D

● Starting Self-Diagnostic Function

While pressing the “TONE CONTROL” and “INFO” keys, press the “” (Power) key to turn on the power, and release those 2 keys.

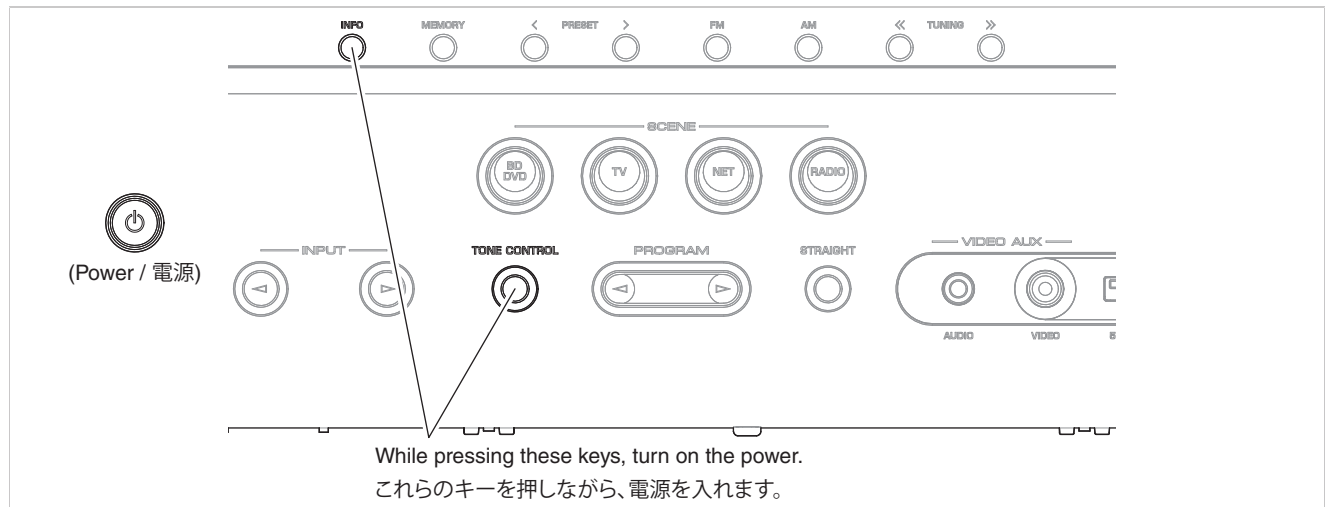
The self-diagnostic function mode is activated.

● ダイアグの起動

“TONE CONTROL” と “INFO” キーを押しながら “” (電源) キーを押して電源を入れた後、2つのキーを放します。

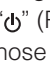
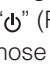
ダイアグが起動します。

Keys of this unit / 本機キー



● Starting Self-Diagnostic Function in the protection cancel mode

If the protection function works and causes hindrance to troubleshooting, cancel the protection function by the procedure below, and it will be possible to enter the self-diagnostic function mode. (The protection functions other than the excess current detect function will be disabled.)

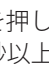
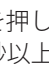
While pressing the “TONE CONTROL” and “INFO” keys, press the “” (Power) key to turn on the power and keep pressing those 2 keys and “” (Power) key for 3 seconds or longer.

The self-diagnostic function mode is activated with the protection functions disabled.

In this mode, the “SLEEP” segment of the FL display flashes to indicate that the mode is self-diagnostic function mode with the protection functions disabled.

● プロテクション解除モードでの起動

プロテクションが動作することにより、故障箇所の診断に支障をきたすような場合は、次の方法によりプロテクションを解除した状態でダイアグモードに入ることができます。(過電流検出以外のプロテクション動作を解除する)

“TONE CONTROL” と “INFO” キーを押しながら “” (電源) キーを押して電源を入れ、2つのキーと “” (電源) キーを3秒以上押し続けます。

プロテクション解除モードでダイアグが起動します。

このモードではFLの“SLEEP”セグメントが点滅し、プロテクションを解除した状態でのダイアグモードであることを知らせます。

CAUTION!

Using this unit with the protection function disabled may cause further damage to this unit. Use special care for this point when using this mode.

注意!

プロテクションを解除した状態でのダイアグモードは、危険な状態でもプロテクションが作動しないため、動作させると、本機を破壊することがあります。このモードを使用する場合は十分注意してください。

● Canceling Self-Diagnostic Function

1. Before canceling self-diagnostic function, execute setting for "S3. FACTORY PRESET" menu. (Memory initialization inhibited or Memory initialized).
 - * In order to keep the user memory preserved, be sure to select PRESET INHIBIT (Memory initialization inhibited).
2. Press the "⏻" (Power) key to turn off the power.

● Display provided when Self-Diagnostic Function started

The display is as described below depending on the situation when the power to this unit is turned off.

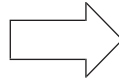
1. When the power is turned off by usual operation:

"NO PROTECT" is displayed. Then "A1-1. DSP MARGIN" is displayed in a few seconds.

Opening message / オープニング表示

NO PROTECT

After a few seconds / 数秒後



A1-1
DSP MARGIN

● ダイアグの解除

1. ダイアグを解除する前に、"S3. FACTORY PRESET" メニュー（メモリーの初期化禁止／またはメモリーの初期化）の設定をします。
 - ※ ユーザーメモリーを保持したい場合は、必ず PRESET INHIBIT（メモリー初期化禁止）を選択してください。
2. "⏻"（電源）キーを押して電源を切ります。

● ダイアグ起動時の表示

本機の電源が切れたときの状況により、下記のように表示されます。

1. 通常の操作で電源を切った場合：

"NO PROTECT" が表示されます。数秒後、"A1-1. DSP MARGIN" が表示されます。

Main menu display / メインメニュー表示

2. When the protection function worked to turn off the power:

The information of protection function which worked at that time is displayed. Then "A1-1. DSP MARGIN" is displayed in a few seconds.

Note: At that time if you restart the self-diagnostic function after turning off the power once, "NO PROTECT" will be displayed. That is because that situation is equal to "1. When the power is turned off by usual operation:".

However history of the protection function is stored in memory as backup data. For details, refer to "P2. PROTECTION HISTORY" menu.

2-1. When there is a history of protection function due to excess current.



Cause: An excessive current flowed through the power amplifier.

Supplementary information: As current of the power amplifier is detected, the abnormal channel can be identified by checking the current detect transistor.

Turning on the power without correcting the abnormality will cause the protection function to work immediately and the power supply will instantly be shut off.

Notes:

- Applying the power to this unit without correcting the abnormality can be dangerous and cause additional circuit damage. To avoid this, if "I PROTECT" protection function works 1 time, the power will not turn on even when the "⏻" (Power) key is pressed. In order to turn on the power again, start up the self-diagnostic function.
- The output transistors in each amplifier channel should be checked for damage before applying power to this unit.
- Amplifier current should be monitored by measuring DC voltage across the emitter resistors for each channel.

2. プロテクションが働いて電源が切れた場合：

そのときに働いたプロテクションの情報が表示されます。数秒後、「A1-1. DSP MARGIN」が表示されます。

注) このとき、一旦電源を切った後にダイアグを再起動すると、「NO PROTECT」が表示されます。それは、その状況が「1. 通常の操作で電源を切った場合：」と同じだからです。

ただし、プロテクションの履歴はバックアップデータとしてメモリーに保存されます。詳細は、「P2. PROTECTION HISTORY」メニューを参照してください。

2-1. 過電流によるプロテクション履歴がある場合

原因： パワーアンプに過電流が流れた。

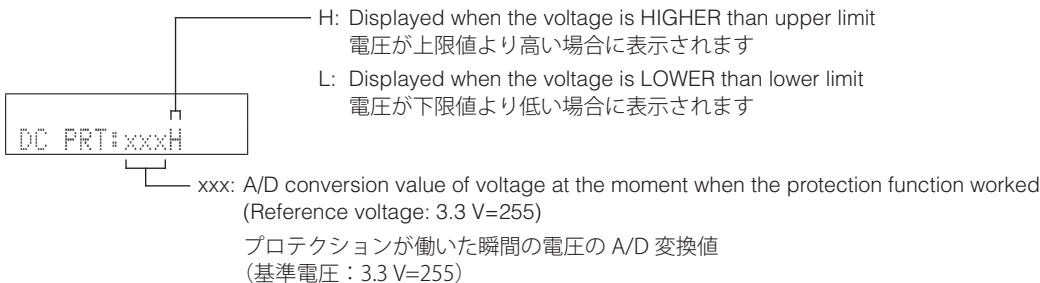
補足： パワーアンプの電流を検出していますので、電流検出トランジスタをチェックすれば異常チャンネルが特定できます。

異常状態のまま電源を入れると、瞬時にプロテクションが働き、すぐに電源が切れます。

注意：

- 異常状態のまま本機の電源を入れると、危険な状態になり、さらに回路が損傷を受ける原因になります。それを避けるために、「I PROTECT」が1回働いた場合、それ以降「⏻」（電源）キーを押しても電源が入らなくなります。再度電源を入れる場合、ダイアグを起動してください。
- 本機の電源をいれる前に、各パワーアンプの出力トランジスタに損傷がないかチェックしてください。
- パワーアンプの電流は、各チャンネルのエミッターの抵抗器間 DC 電圧を測定することによりモニターしてください。

2-2. When the protection function worked due to abnormal DC output.



Cause: DC output of the power amplifier is abnormal.
Supplementary information: The protection function worked due to a DC voltage appearing at the speaker terminal. A cause could be a defect in the amplifier.

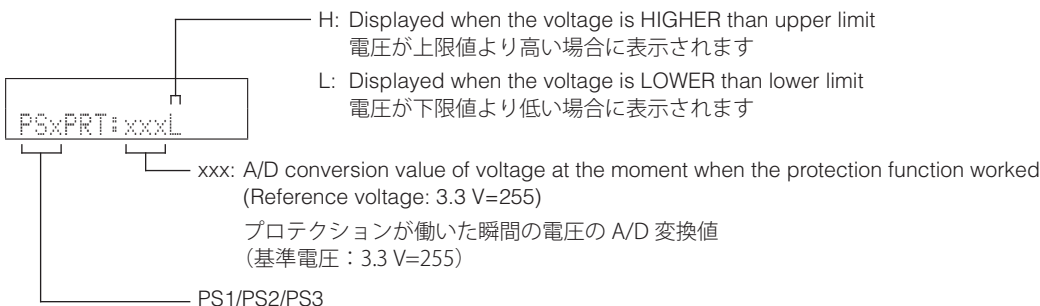
Turning on the power without correcting the abnormality will cause the protection function to work in 5 seconds and the power supply will be shut off.

2-2. DC 出力異常によりプロテクションが働いた場合

原因: パワーアンプの DC 出力が異常。
補足: アンプの故障でスピーカー端子に直流電圧が掛かるなどが原因で、プロテクションが働いたことを示します。

異常状態のまま電源を入れると、5 秒後にプロテクションが働き、電源が切れます。

2-3. When the protection function worked due to abnormal voltage in the power supply section.



Cause: The voltage in the power supply section is abnormal.
Supplementary information: The protection function worked due to a defect or overload in the power supply.

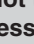
Turning on the power without correcting the abnormality will cause the protection function to work in 1 seconds and the power supply will be shut off.

2-3. 電源部の電圧異常によりプロテクションが働いた場合

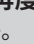
原因: 電源部の電圧が異常。
補足: 電源電圧による原因で、プロテクションが働いたことを示します。

異常状態のまま電源を入れると、1 秒後にプロテクションが働き、電源が切れます。

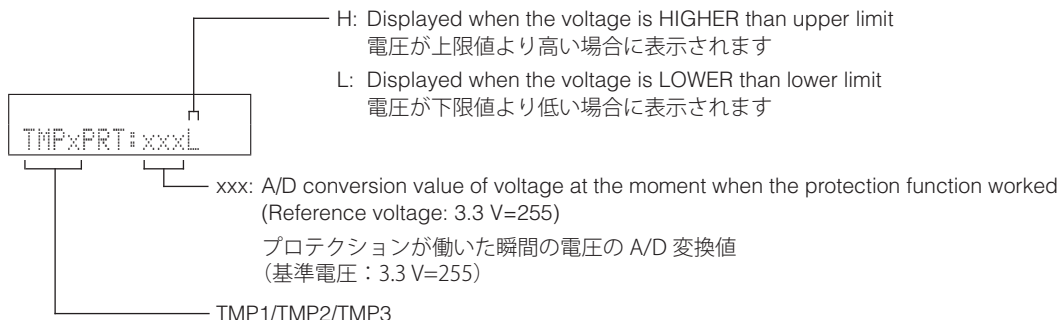
Notes:

- Applying the power to this unit without correcting the abnormality can be dangerous and cause additional circuit damage. To avoid this, if “PS” and “DC” protection function works 3 times consecutively, the power will not turn on even when the “” (Power) key is pressed. In order to turn on the power again, start up the self-diagnostic function.
- The output transistors in each amplifier channel should be checked for damage before applying power to this unit.
- Amplifier current should be monitored by measuring DC voltage across the emitter resistors for each channel.

注意:

- 異常状態のまま本機の電源を入れると、危険な状態になり、さらに回路が損傷を受ける原因になります。それを避けるために、「DC」、「PS」プロテクションが連続して 3 回目働いた場合、それ以降 “” (電源) キーを押しても電源が入らなくなります。再度電源を入れる場合、ダイアグを起動してください。
- 本機の電源をいれる前に、各パワーアンプの出力トランジスタに損傷がないかチェックしてください。
- パワーアンプの電流は、各チャンネルのエミッターの抵抗器間 DC 電圧を測定することによりモニターしてください。

2-4. When the protection function worked due to excessive heatsink temperature.



Cause: The temperature of the heatsink is excessive.

Supplementary information: The protection function worked due to the temperature limit being exceeded. Causes could be poor ventilation or a defect related to the thermal sensor.

Turning on the power without correcting the abnormality will cause the protection function to work in 1 seconds and the power supply will be shut off.

2-4. ヒートシンクの異常温度によりプロテクションが働いた場合

原因: ヒートシンクの温度が異常。

補足: 温度制限を越えた原因で、プロテクションが働いたことを示します。

異常状態のまま電源を入れると、1秒後にプロテクションが働き、電源が切れます。

● History of protection function

When the protection function has worked, its history is stored in memory as backup data.

Even if no abnormality is noted while servicing the unit, an abnormality which has occurred previously can be defined as long as the backup data has been stored.

For details, refer to "P2. PROTECTION HISTORY" menu.

● プロテクションの履歴

プロテクションが働いた場合、その履歴はバックアップデータとしてメモリーに保存されます。

修理のときに異常が認められなくても、バックアップデータが残っていれば、お客様のところで起きた異常を区別できます。

詳細は、「P2. PROTECTION HISTORY」メニューを参照してください。

● Operation procedure of Main menu and Sub-menu

There are 27 main menu items, each of which has sub-menu items.

Main menu selection

Select the main menu using "SCENE TV" (forward) and "SCENE BD/DVD" (reverse) keys.

Sub-menu selection

Select the sub-menu using "SCENE RADIO" (forward) and "SCENE NET" (reverse) keys.

● メインメニューとサブメニューの操作

ダイアグには 27 個のメインメニューがあり、そのそれぞれにサブメニューがあります。

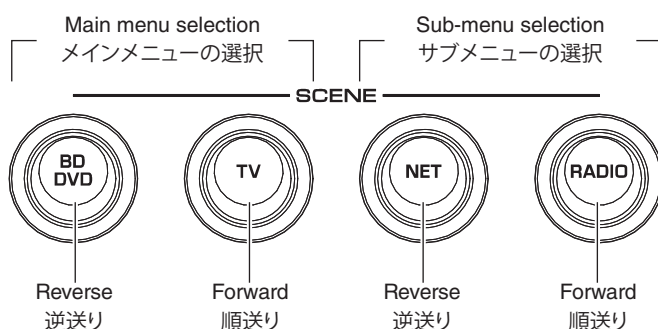
メインメニューの選択

"SCENE TV" (順送り)、"SCENE BD/DVD" (逆送り) キーで選択します。

サブメニューの選択

"SCENE RADIO" (順送り)、"SCENE NET" (逆送り) キーで選択します。

Keys of this unit / 本機キー



● Functions in Self-Diagnostic Function mode

In addition to the self-diagnostic function menu items, functions listed below are available.

- Power ON/OFF
- Master volume
- Muting
- Input selection

* Functions related to the tuner and the set menu are not available.

● ダイアグ中の機能

ダイアグメニューの他に、以下の機能が動作します。

- 電源 オン/オフ
- マスターボリューム
- ミュート
- インプットセレクト

※ チューナー関連、セットメニュー関連は機能しません。

● Initial settings when Self-Diagnostic Function started

The following initial settings are used when self-diagnostic function is started.

When self-diagnostic function is canceled, these settings are restored to those before starting self-diagnostic function.

- Master volume: -20 dB
- Input: AV1
- Speaker setting: LARGE, Bass out to SWFR (All channels)
- HDMI Control: Off

● ダイアグ開始時の初期設定

ダイアグ開始時に以下のような設定になります。

ダイアグ解除時にはダイアグ開始前の状態に戻ります。

- マスターボリューム: -20 dB
- インプット: AV1
- スピーカー設定: LARGE、Bass out to SWFR (すべてのチャンネル)
- HDMI コントロール: OFF

● Details of Self-Diagnostic Function menu

A1. DSP AUDIO

This menu is used to check audio signal route via DSP.

A1-1. DSP MARGIN

The audio signal is output including the head margin via DSP.

* When input source is stereo, signal is assigned as below.

Front L: Front L, Center, Surround L

Front R: Front R, Surround R

Front L +10 dB: Subwoofer

```
A1-1
DSP MARGIN
```

A1-2. DSP NON MARGIN

The SUBWOOFER signal is output including the head margin via DSP.

The audio signal other than SUBWOOFER is output without including the head margin via DSP.

```
A1-2
DSP NON MARGIN
```

A1-3. DSP FULL CENTER

The audio signal is output to only CENTER channel in digital full bit without including the head margin.

```
A1-3
DSP FULL C
```

A1-4. DSP FULL SURROUND

The audio signal is output to only SURROUND L/R channels in digital full bit without including the head margin.

```
A1-4
DSP FULL SUR
```

● ダイアグメニュー詳細

A1. DSP AUDIO

DSP を経由する音声信号の経路をチェックします。

A1-1. DSP MARGIN

音声信号が DSP を経由してヘッドマージンを含んで出力されます。

※ 2ch 信号入力時、以下のように信号が振り分けられて出力されます。

Front L : Front L、Center、Surround L

Front R : Front R、Surround R

Front L +10 dB : Subwoofer

A1-2. DSP NON MARGIN

サブウーファースの音声信号が DSP を経由してヘッドマージンを含んで出力されます。

サブウーファー以外の音声信号は DSP を経由してヘッドマージンを含まず出力されます。

A1-3. DSP FULL CENTER

音声信号がヘッドマージンを含まず、デジタルフルビットで CENTER チャンネルのみへ出力されます。

A1-4. DSP FULL SURROUND

音声信号がヘッドマージンを含まず、デジタルフルビットで SURROUND L/R チャンネルのみへ出力されます。

A1-5. DSP FULL SURROUND BACK

Not for service.

```
A1-5
DSP FULL SB
```

A1-5. DSP FULL SURROUND BACK

サービスでは使用しません。

A1-6. DSP FULL SUBWOOFER

The audio signal is output to only SUBWOOFER channel in digital full bit without including the head margin.

```
A1-6
DSP FULL SW
```

A1-6. DSP FULL SUBWOOFER

音声信号がヘッドマージンを含まず、デジタルフルビットでSUBWOOFERチャンネルのみへ出力されます。

A2. DIRECT AUDIO

This menu is used to check audio signal route of DIRECT mode.

A2-1. ANALOG DIRECT

The analog input audio signal is output to FRONT L and FRONT R channels in DIRECT mode.

```
A2-1
ANALOG DIRECT
```

A2-2. NET DIRECT

Not for service.

```
A2-2
NET DIRECT
```

A2. DIRECT AUDIO

DIRECT モードの音声信号の経路をチェックします。

A2-1. ANALOG DIRECT

アナログ入力の音声信号が DIRECT モードで FRONT L、FRONT R チャンネルへ出力されます。

A2-2. NET DIRECT

サービスでは使用しません。

A3. HDMI AUDIO

This menu is used to check the route of audio signal input to HDMI IN/OUT jack.

- * Before check using "A3-2. ARC" menu, be sure to connect a TV monitor equipped with Audio Return Channel function to this unit in advance.

A3-1
HDMI AUTO



A3-2
ARC

A3-1. HDMI AUTO

The audio signal input to selected HDMI IN jack is output.
選択された HDMI IN 端子へ入力された音声信号が出力されます。

A3-2. ARC (Audio Return Channel function)

The audio signal input to HDMI OUT jack is output.
HDMI OUT 端子へ入力された音声信号が出力されます。

A3. HDMI AUDIO

HDMI IN/OUT 端子へ入力された音声信号の経路をチェックします。

- ※ "A3-2. ARC" メニューでのチェックの前に、あらかじめ必ず Audio Return Channel 機能に対応しているテレビを接続してください。

A4. SPEAKERS SET

This menu is used to check the speaker output.

A4-1
FULL MUTE



A4-2
BI-AMP



A4-3
AC_B:Hi



A4-4
AC_B:Lo

A4-1. FULL MUTE

The audio signals are muted at all channels.
音声信号がすべてのチャンネルでミュートされます。

A4-2. BI-AMP

Not for service.
サービスでは使用しません。

A4-3. AC B HIGH

Not for service.
サービスでは使用しません。

A4-4. AC B LOW

Not for service.
サービスでは使用しません。

A4. SPEAKERS SET

スピーカー出力をチェックします。

RX-V475/HTR-4066/
RX-V500D

A5. MIC CHECK

A5-1. MIC ROUTE CHECK

The audio signal input to the YPAO MIC jack is output to FRONT L channels via A/D-D/A.

A5. MIC CHECK

A5-1. MIC ROUTE CHECK

YPAO マイク端子へ入力された音声信号が A/D - D/A 経由で FRONT L チャンネルへ出力されます。

A5-1
MIC ROUTE ON

ON: Connected / 接続されている
OFF: Unconnected / 接続されていない

A6. INVALID ITEM

Not for service.

A6. INVALID ITEM

サービスでは使用しません。

A6-1
Invalidity

.....

A6-3
Invalidity

A7. DIR PLL (Phase Lock Loop)

This menu is used to check the route of digital audio signal input to AV1/AV2/AV3/AV4 jack.

A7. DIR PLL (Phase Lock Loop)

AV1/AV2/AV3/AV4 端子へ入力されたデジタル音声信号の経路をチェックします。

A7-1
DIR PLL: ---

Lock: Lock / 同期
Unlock: Unlock / 非同期
---: Unconnected / 接続されていない

A8. MANUAL TEST

The test noise generated by built-in noise generator in DSP is output to the channels specified by the sub-menu.

	Test noise / テストノイズ
for SUBWOOFER / SUBWOOFER 用	30 Hz to 80 Hz pink noise / ピンクノイズ
for other than SUBWOOFER / SUBWOOFER 以外	500 Hz to 2 kHz pink noise / ピンクノイズ

A8. MANUAL TEST

DSP に内蔵されたノイズジェネレータによって生成されたテストノイズが、サブメニューで指定したチャンネルへ出力されます。

A8-1. TEST ALL

The test noise is output to all channels.

```
A8-1
TEST ALL
```

A8-1. TEST ALL

テストノイズが全てのチャンネルへ出力されます。

H1. INVALID ITEM

Not for service.

```
H1-1
Invalidity
```

.....

```
H1-2
Invalidity
```

H1. INVALID ITEM

サービスでは使用しません。

RX-V475/HTR-4066/
RX-V500D

D1. FL CHECK

This menu is used to check operation of the FL display.

D1. FL CHECK

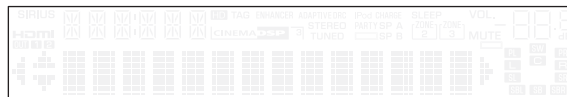
FL 表示の動作をチェックします。

FL display / FL 表示

D1-1. INITIAL DISPLAY / 初期表示



D1-2. ALL SEGMENT OFF / 全セグメント消灯

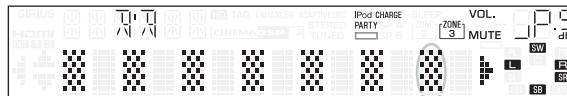


D1-3. ALL SEGMENT ON / 全セグメント点灯

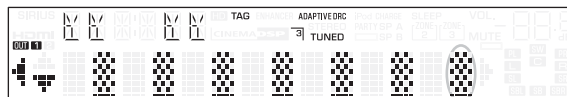


* After check, change to next menu at once.
確認後、すみやかに次のサブメニューを選択してください。

D1-4. CHECK PATTERN 1 / チェックパターン 1



D1-5. CHECK PATTERN 2 / チェックパターン 2



Example / 例
Lighting on segments in lattice.
セグメント格子状点灯

Short ショート	Normal 正常

Segment conditions of the FL tube is checked by turning ON and OFF all segments.

Next, a short between segments next to each other is checked by turning ON and OFF all segments alternately (in lattice).

(In the above example, the segments in the second row from the top are shorted.)

全セグメント消灯・全セグメント点灯により FL 管のセグメントの不良を確認します。

次に、全セグメントを交互（格子状）に点灯／消灯することで、隣り合うセグメントのショートをチェックします。

（上記の例は、上から 2 列目のセグメントがショートしています。）

U1. USB

This menu is used to check the audio signal route from USB storage device.

U1-1. USB FRONT 1 TRACK

The 1st music file stored in the USB storage device connected to the USB jack is reproduced.

- * Copy 2 or more music files from PC to the root folder of the USB storage device in advance.

```
U1-1
USB_F 1 TRACK
```

U1-2. USB BOOT

Not for service.

```
U1-2
USB BOOT:--
```

U1-3. USB_VBUS HIGH POWER

Not for service.

```
U1-3
USB_VBUS_HPWR
```

U1-4. INVALID ITEM

Not for service.

```
U1-4
Invalidity
```

U1. USB

USB フラッシュメモリーからの音声信号の経路をチェックします。

U1-1. USB FRONT 1 TRACK

USB 端子に接続された USB フラッシュメモリーに保存された音楽ファイルの 1 曲目が再生されます。

- ※ あらかじめ PC から USB フラッシュメモリーのルートフォルダに音楽ファイルを 2 曲以上コピーしてください。

U1-2. USB BOOT

サービスでは使用しません。

U1-3. USB_VBUS HIGH POWER

サービスでは使用しません。

U1-4. INVALID ITEM

サービスでは使用しません。

N1. NETWORK

This menu is used to check functions related to NETWORK.

Connect between LAN port of broadband router and NETWORK jack of this unit with a network cable.

- * When the network condition varies while sub-menu is displayed (e.g., the network is deactivated once), the correct result will not be displayed. In that case, once turn off the power to this unit, then start up the self-diagnostic function again and select this menu.

N1-1. IP ADDRESS CHECK

This menu is used to check that IP address can be obtained.

```
N1-1
IP AD CHK:OK
```

- OK: Connected (IP address obtained)
接続 (IP アドレス取得完了)
- NG: No traffic / Disconnected
通信不能 / 接続が切れている

N1-2. MAC ADDRESS CHECK

This menu is used to check that MAC address is written.

```
N1-2
MAC AD CHK:OK
```

- OK: Normal / 正常
- NG: Unwritten / 書き込まれていない

N1-3. LINE NOISE 100 MDI

Not for service.

```
N1-3
LN MDI 100
```

N1-4. LINE NOISE 100 MDIX

Not for service.

```
N1-4
LN MDIX 100
```

N1.NETWORK

ネットワークに関連する機能をチェックします。

ブロードバンドルーターのLANポートと本機のNETWORK端子をネットワークケーブルで接続します。

- ※ サブメニュー表示中にネットワークの状態が変わると (たとえばネットワークが一時切れるなど) 正しい結果が表示されません。その場合、一度本機の電源を切り、ダイアグを再起動して本メニューを選択します。

N1-1. IP ADDRESS CHECK

IP アドレスが取得されていることをチェックします。

N1-2. MAC ADDRESS CHECK

MAC アドレスが書き込まれていることをチェックします。

N1-3. LINE NOISE 100 MDI

サービスでは使用しません。

N1-4. LINE NOISE 100 MDIX

サービスでは使用しません。

N1-5. LINE NOISE 10 MDI

Not for service.

```
N1-5
LN MDI 10
```

N1-5. LINE NOISE 10 MDI

サービスでは使用しません。

N1-6. LINE NOISE 10 MDIX

Not for service.

```
N1-6
LN MDIX 10
```

N1-6. LINE NOISE 10 MDIX

サービスでは使用しません。

N1-7. LINK CHECK

This menu is used to check that the broadband router is connected correctly.

```
N1-7
LINK CHK:OK
```

N1-7. LINK CHECK

ブロードバンドルーターが正しく接続されていることをチェックします。

OK: Connected / 接続
 NG: No traffic / Disconnected
 通信不能 / 接続が切れている

N1-8. EXT TEST

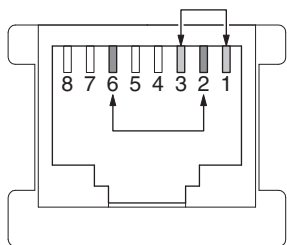
Transmission/reception of the NETWORK port is checked.

With the power turned off, short the pins of the NETWORK jack as shown in the figure below.

Start up the self-diagnostic function and select this menu.

Transmission/reception test is executed and its result is displayed.

Note) Be sure to return the shorted pins to their original condition after executing this test.



NETWORK jack

N1-8. EXT TEST

NETWORK ポートの送受信テストを行います。電源を切った状態で、下図のように NETWORK 端子のピンをショートさせます。

ダイヤグを起動して本メニューを選択します。送受信テストを行い、その結果が表示されます。

注意) 検査後、ショートしたピンを必ず元の状態に戻してください。

```
N1-8
EXT TEST:OK
```

OK: Normal / 正常
 NG: Abnormal / 異常
 --: Checking / チェック中

RX-V475/HTR-4066/
RX-V500D

C1. DIGITAL P.C.B. CHECK

This menu is used to check the communication and bus line connection between devices on DIGITAL P.C.B.

C1-1. ALL

The total detection result of sub-menus from C1-2 to C1-8 is displayed.

```
C1-1
ALL:OK
```

OK: No error detected / 不良検出なし
 NG: An error is detected / 不良検出あり
 --: Checking / チェック中

C1-2. MCPU OSD

Microprocessor (IC21) and OSD FLASH ROM (IC2)'s reading/writing are checked.

```
C1-2
MCPU OSD:OK
```

OK: No error detected / 不良検出なし
 NG: An error is detected / 不良検出あり

C1-3. OSD HDMI

OSD FLASH ROM (IC2) and HDMI IC (IC1)'s reading/writing are checked.

```
C1-3
OSD HDMI:OK
```

OK: No error detected / 不良検出なし
 NG: An error is detected / 不良検出あり

C1-4. VIDEO I/F

Communication and bus line connection between microprocessor (IC21) and Video Selector (IC502) are checked.

```
C1-4
VIDEO I/F:OK
```

OK: No error detected / 不良検出なし
 NG: An error is detected / 不良検出あり
 --: Checking / チェック中

C1. DIGITAL P.C.B. CHECK

DIGITAL P.C.B. 上の各デバイス間の通信とバスライン接続をチェックします。

C1-1. ALL

サブメニュー C1-2 ~ C1-8 の総合判定結果が表示されます。

C1-2. MCPU OSD

マイコン (IC21) と OSD FLASH ROM (IC2) の読み出し/書き込みをチェックします。

C1-3. OSD HDMI

OSD FLASH ROM (IC2) と HDMI IC (IC1) の読み出し/書き込みをチェックします。

C1-4. VIDEO I/F

マイコン (IC21) と Video Selector (IC502) 間の通信とバスライン接続をチェックします。

C1-5. BUS DIR

Communication and bus line connection between microprocessor (IC21) and DIR (IC61) are checked.

```
C1-5
DIR BUS:OK
```

OK: No error detected / 不良検出なし
 NG: An error is detected / 不良検出あり
 --: Checking / チェック中

C1-5. BUS DIR

マイコン (IC21) と DIR (IC61) 間の通信とバスライン接続をチェックします。

C1-6. BUS DSP

Communication and bus line connection between microprocessor (IC21) and DSP (IC41) are checked.

```
C1-6
DSP BUS:OK
```

OK: No error detected / 不良検出なし
 NG: An error is detected / 不良検出あり
 --: Checking / チェック中

C1-6. BUS DSP

マイコン (IC21) と DSP (IC41) 間の通信とバスライン接続をチェックします。

C1-7. EEPROM

EEPROM (IC22)'s reading/writing is checked.

```
C1-7
EEPROM:OK
```

OK: No error detected / 不良検出なし
 NG: An error is detected / 不良検出あり
 --: Checking / チェック中

C1-7. EEPROM

EEPROM (IC22) の読み出し/書き込みをチェックします。

C1-8. TUNER

The AM/FM (RX-V475/HTR-4066) / DAB (RX-V500D) TUNER I2C (Inter integrated circuit) bus line connection is checked.

```
C1-8
TUNER:OK
```

OK: No error detected / 不良検出なし
 NG: An error is detected / 不良検出あり
 --: Checking / チェック中

C1-8. TUNER

AM/FM TUNER の I2C (Inter integrated circuit) バスライン接続をチェックします。

C2. HDMI INFORMATION

This menu is used to display information about HDMI.

C2-1. HDMI MODEL NAME

The model name written to HDMI IC is displayed.

C2. HDMI INFORMATION

HDMI に関する情報が表示されます。

C2-1. HDMI MODEL NAME

HDMI IC に書き込まれているモデル名が表示されます。



C2-1
HMN:RX-V475

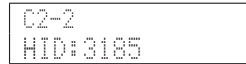
RX-V475
HTR-4066
RX-V500D

C2-2. HDMI PRODUCT ID

Not for service.

C2-2. HDMI PRODUCT ID

サービスでは使用しません。



C2-2
HID:3185

C3. NETWORK IC CHECK

This menu is used to check the communication and bus line connection between devices related to network.

C3-1. ALL

The total detection result of sub-menus from C3-2 to C3-4 is displayed.

```
C3-1
ALL:OK
```

OK: No error detected / 不良検出なし
 NG: An error is detected / 不良検出あり
 --: Checking / チェック中

C3-2. NET RAM

Communication and bus line connection between network microprocessor (IC951) and SDRAM (IC952) are checked.

```
C3-2
NET RAM:OK
```

OK: No error detected / 不良検出なし
 NG: An error is detected / 不良検出あり
 --: Checking / チェック中

C3-3. PHY (Ethernet PHYceiver) TEST

The perform a loopback test in PHY (IC955).

```
C3-3
PHY TEST:OK
```

OK: No error detected / 不良検出なし
 NG: An error is detected / 不良検出あり
 --: Checking / チェック中

C3-4. APL (Apple) ID CHECK

Apple authentication IC (IC956) device ID is checked.

```
C3-4
APL ID:OK
```

OK: No error detected / 不良検出なし
 NG: An error is detected / 不良検出あり
 --: Checking / チェック中

C3. NETWORK IC CHECK

ネットワークに関連する各デバイス間の通信とバスラインの接続をチェックします。

C3-1. ALL

サブメニュー C3-2 ~ C3-4 の総合判定結果が表示されます。

C3-2. NET RAM

ネットワークマイコン (IC951) と SDRAM (IC952) の通信とバスラインの接続チェックします。

C3-3. PHY (Ethernet PHYceiver) TEST

PHY (IC955) 内でループバックテストを行います。

C3-4. APL (Apple) ID CHECK

Apple 認証 IC (IC956) のデバイス ID をチェックします。

V1. ANALOG VIDEO CHECK

This menu is used to check the analog video signal route.

V1-1. ANALOG BYPASS

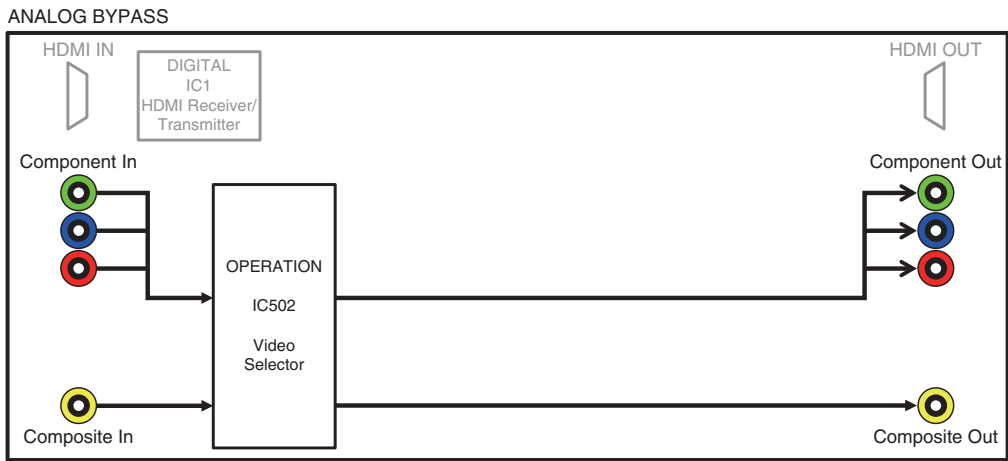
The video signal is output as shown below.

V1. ANALOG VIDEO CHECK

アナログ映像信号の経路をチェックします。

V1-1. ANALOG BYPASS

映像信号が以下のように出力されます。

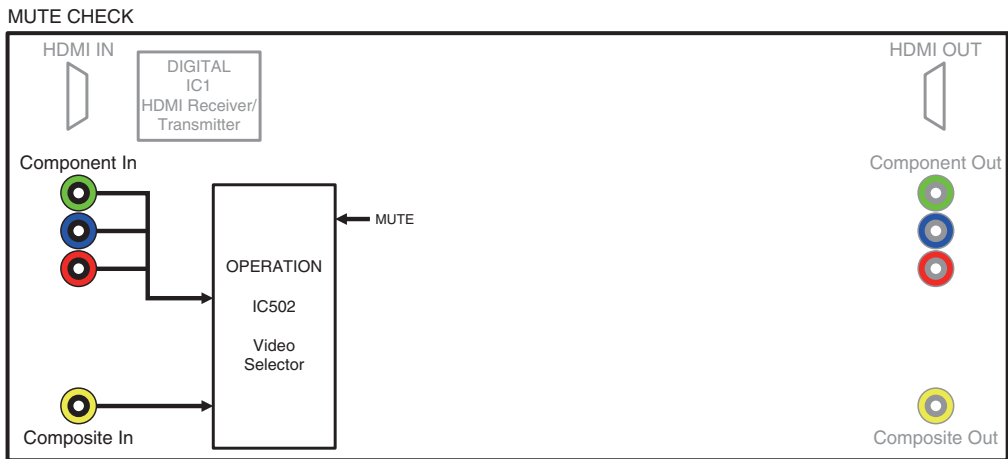


V1-2. MUTE CHECK

The video signal is muted.

V1-2. MUTE CHECK

映像信号がミュートされます。



RX-V475/HTR-4066/ RX-V500D

V2. DIGITAL VIDEO CHECK

This menu is used to check the digital video signal route.

V2-1. HDMI REPEAT

The video/audio signals input to HDMI IN jack are output to HDMI OUT jack.

V2. DIGITAL VIDEO CHECK

デジタル映像信号の経路をチェックします。

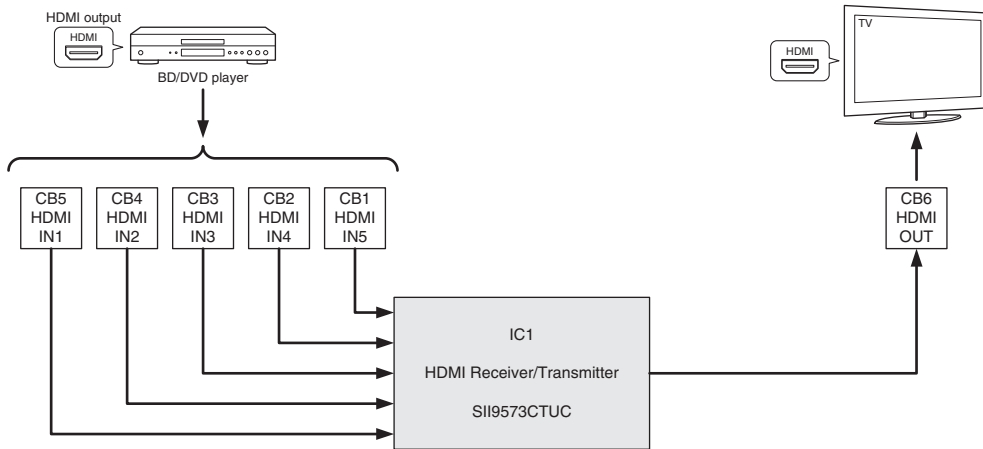
V2-1. HDMI REPEAT

HDMI IN 端子へ入力された映像信号と音声信号が HDMI OUT 端子へ出力されます。



The Deep Color video signals is input, "30" bit or "36" bit is displayed.

Deep Color 映像信号を入力すると、「30」 bit または「36」 bit が表示されます。



RX-V475/HTR-4066/
RX-V500D

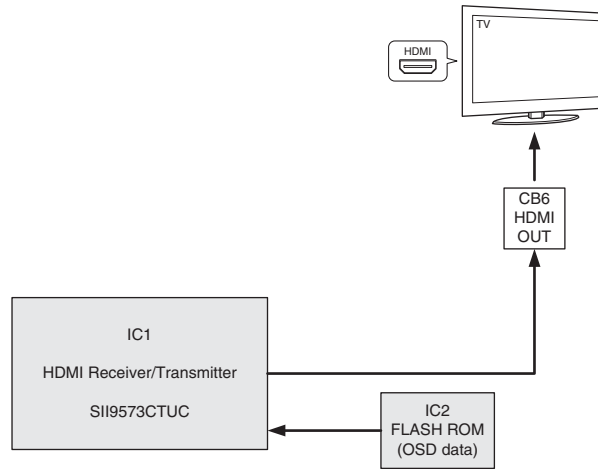
V2-2. OSD (On-Screen Display) VIDEO OUT

The "OSD CHECK" screen is output to HDMI OUT jack.

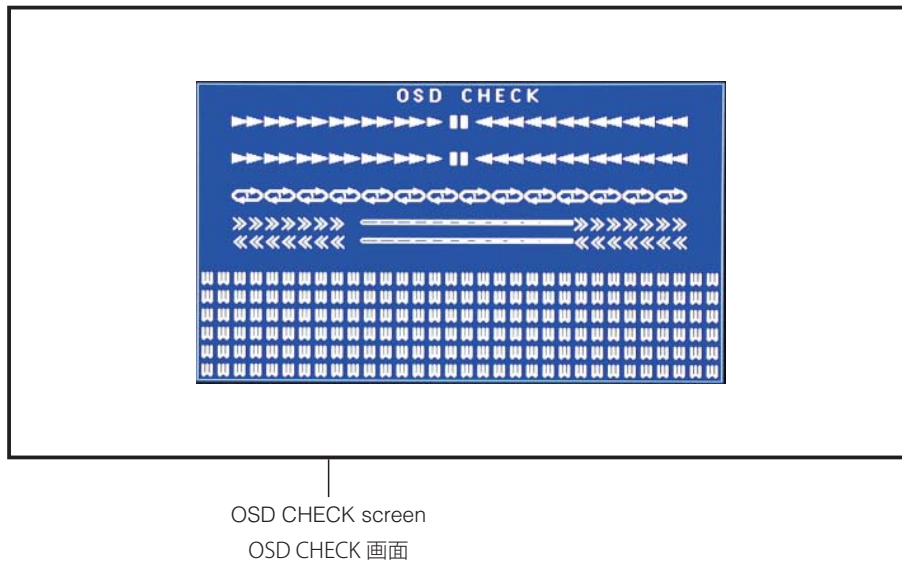
V2-2. OSD (On-Screen Display) VIDEO OUT

"OSD CHECK" 画面が HDMI OUT 端子へ出力されます。

V2-2
OSD-VIDEO OUT



TV screen display / TV 画面表示



RX-V475/HTR-4066/
RX-V500D

R1. DAB (RX-V500D model)

This menu is used to display the DAB module information.

R1-1. SIGNAL QUALITY

Not for service.

```
R1-1
      0
```

R1-2. DAB MODULE VERSION

The firmware version of DAB module is displayed.

```
R1-2
DAB: 21982.02
```

R1. DAB (RX-V500D model)

サービスでは使用しません。

```
R1-1      .....      R1-2
Invalidity Invalidity
```

P1. SYSTEM MONITOR

This menu is used to display the A/D conversion value of the microprocessor which detects panel keys and protection functions by using the sub-menu.

When "P1-7. KEY1/KEY2" sub-menu is selected, keys become inoperable due to detection of the values of all keys. However, it is possible to advance to the next menu by turning the VOLUME knob.

- * Numeric values in the figure are given as reference only.

P1-1. DC

Power amplifier DC (DC voltage) output is detected.

The voltage at 120 pin (DC_PRT) of IC21 is displayed.

Normal value: 27 to 89

(Reference voltage: 3.3 V=255)

- * If DC becomes out of the normal value range, the protection function works to turn off the power.

```
P1-1
DC: 059
```

P1. SYSTEM MONITOR

パネルキー、プロテクションなどを検出しているマイコンの A/D 変換値を、サブメニューで表示します。サブメニュー "P1-7. KEY1/KEY2" にすると、全キーの値を検出するためキー操作はできなくなりますが、VOLUME ツマミを回すことにより、次のメニューに進めることができます。

- ※ 図中の数値は参考例です。

P1-1. DC

パワーアンプ DC (直流電圧) 出力の検出

IC21 の 120 ピン (DC_PRT) の電圧が表示されます。

正常値: 27 ~ 89

(基準電圧: 3.3 V=255)

- ※ DC が正常値を外れるとプロテクションが働き、電源が切れます。

P1-2. PS

Power supply voltage (PS) protection detection.
The voltage at 126 pin (PS1_PRT)/107 pin (PS2_PRT)/106 pin (PS3_PRT) of IC21 are displayed.

Voltage detects

- PS1:** AC_BL, AC_V, AC_12, ±7A, +3.3S
- PS2:** ±12A, +5A, ±3.3V, -VP
- PS3:** +5.5V

Normal value

- PS1:** 12 to 100
- PS2:** 34 to 106
- PS3:** 132 to 168

(Reference voltage: 3.3 V=255)

- * If PS1, PS2 or PS3 becomes out of the normal value range, the protection function works to turn off the power.

P1-2. PS

電源電圧 (PS) プロテクションの検出
IC21 の 126 ピン (PS1_PRT) / 107 ピン (PS2_PRT) / 106 ピン (PS3_PRT) の電圧が表示されます。

検出電圧

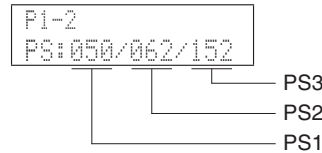
- PS1 :** AC_BL、AC_V、AC_12、±7A、+3.3S
- PS2 :** ± 12A、+5A、± 3.3V、-VP
- PS3 :** +5.5V

正常値

- PS1 :** 12 ~ 100
- PS2 :** 34 ~ 106
- PS3 :** 132 ~ 168

(基準電圧：3.3 V=255)

- ※ PS1、PS2 または PS3 が正常値を外れるとプロテクションが働き、電源が切れます。



P1-3. TMP

Temperature of the heatsink (THM) is detected.
The voltage at 122 pin (THM1_PRT)/123 pin (THM2_PRT) /110 pin (THM3_PRT) of IC21 is displayed.

Normal value

- THM1:** 42 to 255
- THM2:** 42 to 255 (U, C models)
- THM3:** 115 to 255

(Reference voltage: 3.3 V=255)

- * If THM1, THM2 or THM3 becomes out of the normal value range, the protection function works to turn off the power.

P1-3. TMP

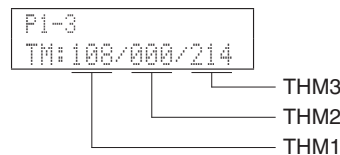
ヒートシンク温度 (THM) の検出
IC21 の 122 ピン (THM1_PRT) / 123 ピン (THM2_PRT) / 110 ピン (THM3_PRT) の電圧が表示されます。

正常値

- THM1 :** 42 ~ 255
- THM2 :** (サービスでは使用しません。)
- THM3 :** 115 ~ 255

(基準電圧：3.3 V=255)

- ※ THM1、THM2 または THM3 が正常値を外れるとプロテクションが働き、電源が切れます。



P1-4. OUTPUT LEVEL

Output level of speaker output is detected.
The voltage at 121 pin (LMT_OLV) of IC21 is displayed.
(Reference voltage: 3.3 V=255)

```
P1-4
OUTLVL: 255
```

P1-4. OUTPUT LEVEL

スピーカー出力の出力レベルの検出
IC21 の 121 ピン (AMP_OLV) の電圧が表示されます。
(基準電圧：3.3 V=255)

P1-5. LIMITER CONTROL

Power limiter control is detected.
The voltage at 7 pin (AMP_LMT) of IC21 is displayed.
(Reference voltage: 3.3 V=255)

```
P1-5
LMTCNT: 255
```

P1-5. LIMITER CONTROL

電源リミッター制御の検出
IC21 の 7 ピン (AMP_LMT) の電圧が表示されます。
(基準電圧：3.3 V=255)

P1-6. USB-VBUS

Power supply voltage of USB jack is detected.
The voltage at 109 pin (USB_VBUS_PRT) of IC21 is detected.
(Reference voltage: 3.3 V=255)

```
P1-6
USB-VBUS:011
```

P1-6. USB-VBUS

USB 端子の電源電圧の検出
IC21 の 109 ピン (USB_VBUS_PRT) の電圧が表示されます。
(基準電圧：3.3 V=255)

P1-7. KEY

Panel key is detected.

When the A/D conversion value of the panel key becomes out of the specified range, normal operation will not be available.

In that case, check the constant of voltage dividing resistor, solder condition, etc. Refer to table.

- * When "P1-7. KEY1/KEY2" menu is selected, keys become inoperable due to detection of the values of all keys. However, it is possible to advance to the next menu by turning the VOLUME knob.

(Reference voltage: 3.3 V=255)

P1-7. KEY

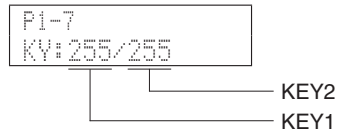
パネルキーの検出

パネルキーの A/D 値が規定範囲から外れると、正常な動きをしません。

下表をご覧になり、各キーの分圧抵抗の定数、ハンダ不良等の確認をしてください。

- ※ "P1-7. KEY1/KEY2" メニューにすると、全キーの値を検出するためキー操作はできなくなりますが、VOLUME ツマミを回すことにより、次のメニューに進めることができます。

(基準電圧：3.3 V=255)



Display / 表示	KEY1
0 – 11	RADIO (SCENE4)
12 – 32	NET (SCENE3)
33 – 54	TV (SCENE2)
55 – 75	BD/DVD (SCENE1)
76 – 96	–
97 – 119	–
120 – 142	INPUT >
143 – 163	INPUT <
182 – 197	⏻ (Power)
198 – 229	TONE CONTROL
255	Key off

Display / 表示	KEY2
0 – 11	DIRECT
12 – 32	TUNING >>
33 – 54	TUNING <<
55 – 77	AM (RX-V475/HTR-4066) DAB (RX-V500D)
78 – 99	FM
100 – 121	PRESET >
122 – 144	PRESET <
145 – 166	MEMORY
167 – 186	INFO
187 – 205	STRAIGHT
206 – 226	PROGRAM >
227 – 246	PROGRAM <
255	Key off

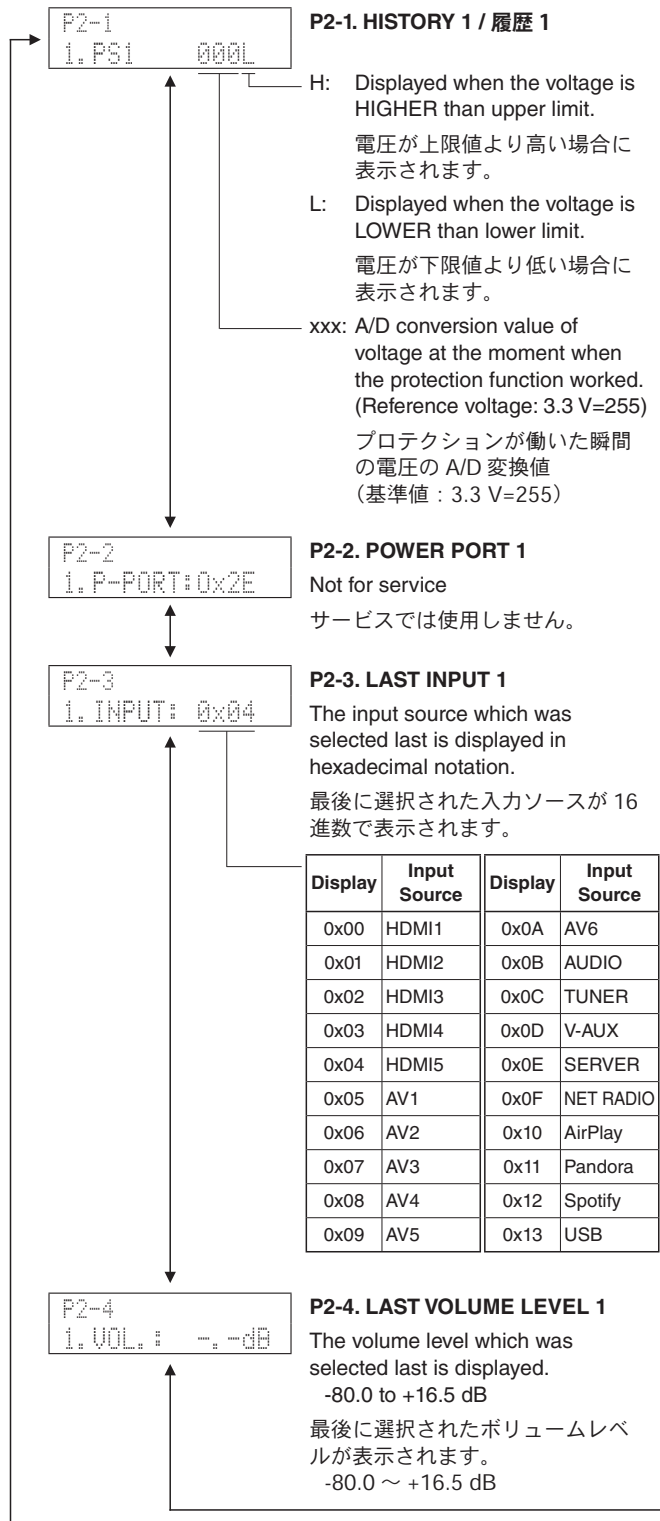
P2. PROTECTION HISTORY

This menu is used to display the history of protection function.

In the history 1 to 4, the setting information for operation of each protection function will be stored.

All history of protection function and setting information will be erased by pressing the "STRAIGHT" key.

* Numeric values in the figure are given as reference only.



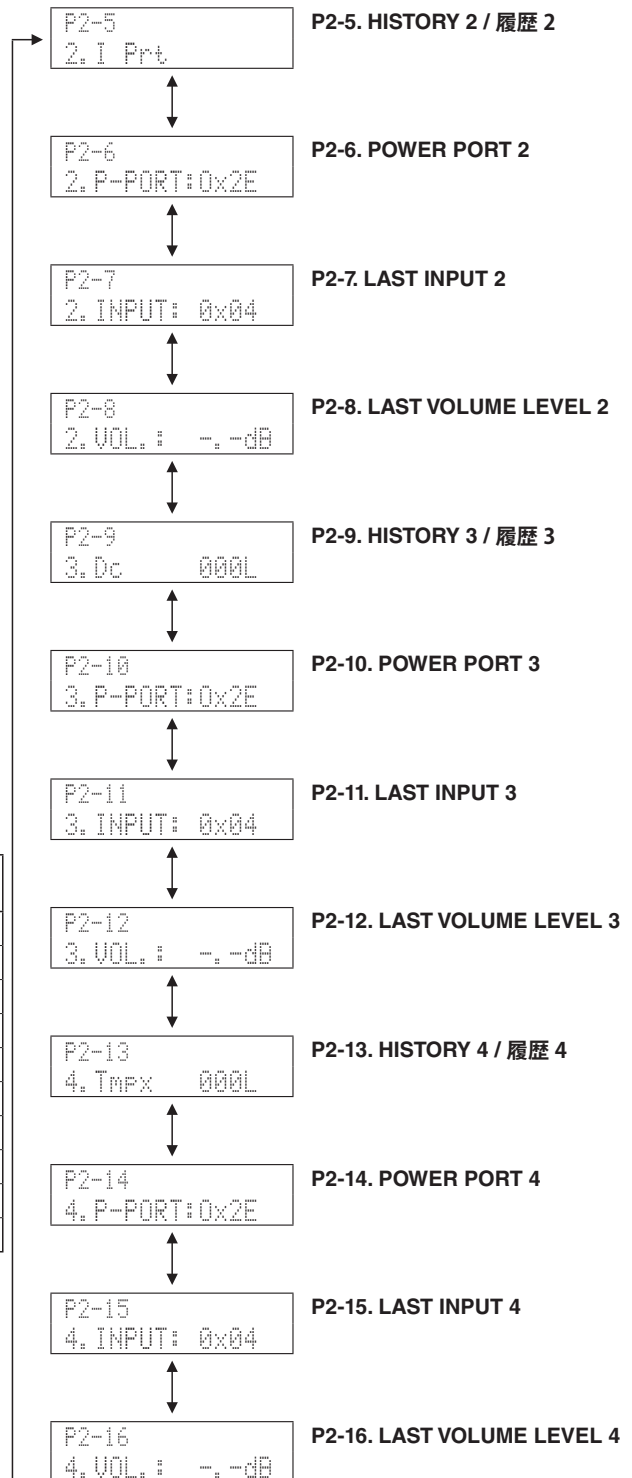
P2. PROTECTION HISTORY

プロテクション履歴が表示されます。

履歴 1 ~ 4 には、そのそれぞれにプロテクション動作時の設定情報が保存されます。

"STRAIGHT" キーを押すと、すべてのプロテクション履歴と、設定情報が消去されます。

※ 図中の数値は参考例です。



T1. TROUBLE SHOOTING INFORMATION

This menu is used to display the operating time and operation frequency of this unit.

* The operating time and operation frequency during the self-diagnostic function mode will not be stored.

T1-1. OPERATING TIME

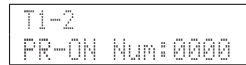
The operating time of this unit is displayed.
The operating time will be erased by pressing the "STRAIGHT" key.



Minute (0M to 59M) / 分 (0M ~ 59M)
Hour (0H to 23H) / 時間 (0H ~ 23H)
Day (0D to 9999D) / 日数 (0D ~ 9999D)

T1-2. POWER-RELAY ON

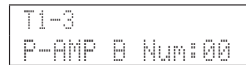
The operation frequency of the power relay (RY541) is displayed in hexadecimal notation.
The operation frequency will be erased by pressing the "STRAIGHT" key.



Operation frequency / 0 to FFFF (up to 65,535 times)
動作回数 / 0 ~ FFFF (最大 65,535 回)

T1-3. POWER AMP B

The operation frequency of the POWER AMP B relay (RY206) is displayed in hexadecimal notation.
The operation frequency will be erased by pressing the "STRAIGHT" key.



Operation frequency / 0 to FF (up to 255 times)
動作回数 / 0 ~ FF (最大 255 回)

T1-4. OUTPUT LEVEL

The maximum value of the speaker output level is displayed in hexadecimal notation.
The maximum value will be erased by pressing the "STRAIGHT" key.



Maximum value / 0 to FF
最大値 / 0 ~ FF

T1-5. NRC (Net Restart Counter)

Not for service.



T1. TROUBLE SHOOTING INFORMATION

本機の動作時間、動作回数が表示されます。

※ ダイアグ中の動作時間、動作回数は保存されません。

T1-1. OPERATING TIME

本機の動作時間が表示されます。
"STRAIGHT" キーを押すと動作時間が消去されます。

T1-2. POWER-RELAY ON

電源リレー (RY541) の動作回数が 16 進数で表示されます。
"STRAIGHT" キーを押すと動作回数が消去されます。

T1-3. POWER AMP B

POWER AMP B リレー (RY206) の動作回数が 16 進数で表示されます。
"STRAIGHT" キーを押すと動作回数が消去されます。

T1-4. OUTPUT LEVEL

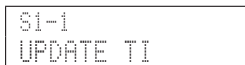
スピーカー出力レベルの最大値が 16 進数で表示されます。
"STRAIGHT" キーを押すと最大値が消去されます。

T1-5. NRC (Net Restart Counter)

サービスでは使用しません。

S1. FIRMWARE UPDATE

Not for service.



S1. FIRMWARE UPDATE

サービスでは使用しません。

S2. SET INFORMATION

This menu is used to display the model name and destination.

S2-1. INITIAL DISPLAY



S2-2. MODEL/DESTINATION

The model name and destination are displayed.



S2. SET INFORMATION

モデル名、仕向け先が表示されます。

S2-1. INITIAL DISPLAY

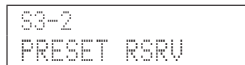
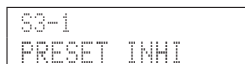
S2-2. MODEL/DESTINATION

モデル名、仕向け先が表示されます。

- Not for service / サービスでは使用しません
- Destination / 仕向け先
U / C / R (R, S) / T / K / A / G (B, G, F) / L (L, H) / J
- Model name / モデル名
V475 : RX-V475
H4066 : HTR-4066
V500D : RX-V500D

S3. FACTORY PRESET


This menu is used to reserve/inhibit initialization of the back-up IC (EEPROM: IC22 on DIGITAL P.C.B.).

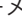


S3-1. PRESET INHIBIT (Initialization inhibited) / **PRESET INHIBIT** (初期化禁止)

Initialization of the back-up IC is not executed. Select this sub-menu to protect the values set by the user.
バックアップ用 IC の初期化は行われません。ユーザーの設定値を保護するときは、こちらを選択してください。

S3-2. PRESET RESERVED (Initialization reserved) / **PRESET RESERVED** (初期化予約)

Initialization of the back-up IC is reserved. (Actual initialization is executed when the power is turned on next.) To reset to the original factory settings or to reset the backup IC, select this sub-menu and press the “” (Power) key to turn off the power.

ユーザーメモリーの初期化が予約されます。(実際に初期化されるのは、次回の電源投入時です。)工場出荷時やユーザーメモリーをリセットしたいときは、こちらを選択してから “” (電源) キーを押して電源を切ってください。

CAUTION: Before setting to the PRESET RESERVED, write down the existing preset memory content of the tuner. (This is because setting to the PRESET RESERVED will cause the user memory content to be erased.)

注意: PRESET RESERVED を選んで初期化をする前に、チューナーのユーザーメモリーの内容を書き写してください。(初期化をすると、チューナーのユーザーメモリーの内容は消えてしまいます。)

RX-V475/HTR-4066/RX-V500D

S4. ROM VERSION/CHECKSUM

The firmware version and checksum values are displayed.

The checksum is obtained by adding the data at every 8-bit and expressing the result as a hexadecimal notation.

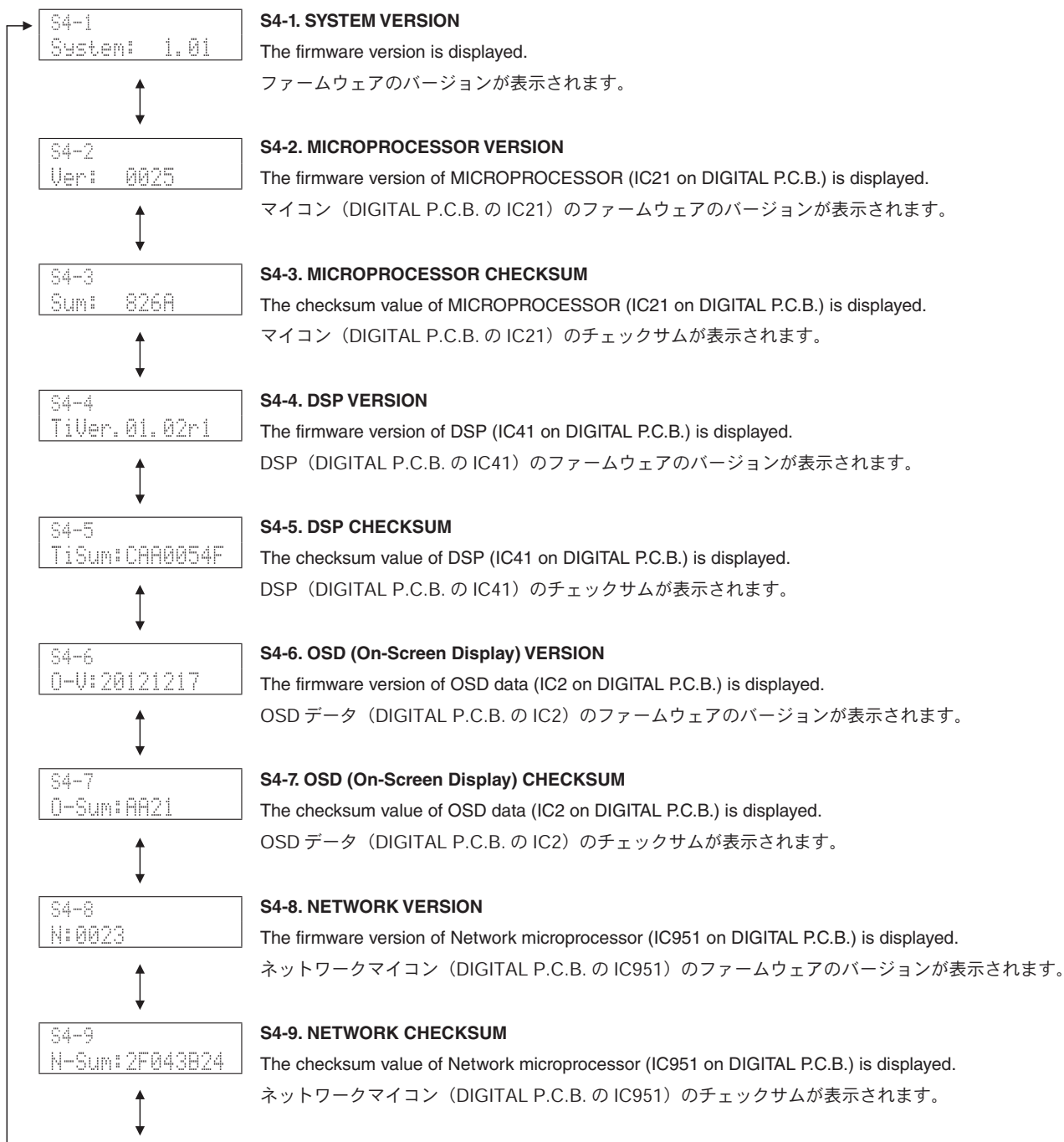
* Numeric values in the figure are given as reference only.

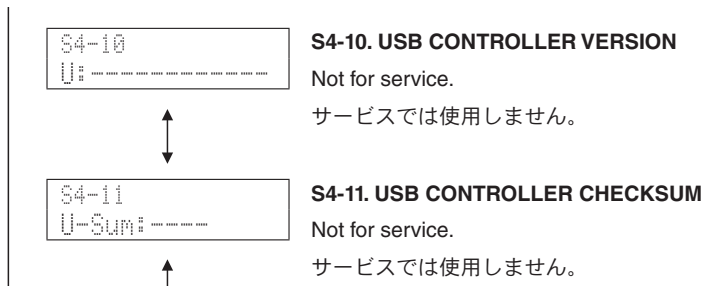
S4. ROM VERSION/CHECKSUM

ファームウェアのバージョン、チェックサムが表示されます。

チェックサムは、データを8ビットごとに加算していき、16進数で表記したものです。

※ 図中の数値は参考例です。





S5. SOFT SWITCH (RX-V475/HTR-4066 models)

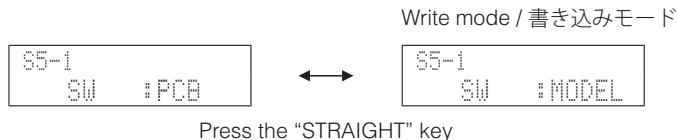
This menu is used to write the model name to the back-up IC (EEPROM: IC22 on DIGITAL P.C.B.).
When the following parts are replaced, the model name MUST be written by using this menu to have proper operation.

- DIGITAL P.C.B.
- EEPROM: IC22 on DIGITAL P.C.B.

To write the model name, first switch to the write mode by using the "S5-1. SWITCH MODE" menu and then select the desired model name by using "S5-2. MODEL NAME" menu.

S5-1. SWITCH MODE

Pressing the "STRAIGHT" key will change the display alternately as shown below. When "S5-1. SW: MODEL" is displayed, this unit is in the write mode.



Note: After writing of the model name is completed, be sure to change to "S5-1. SW: PCB".

注意: モデル名の書き込みを完了した後、必ず "S5-1. SW: PCB" に切り替えてください。

S5. SOFT SWITCH

モデル名をバックアップIC(EEPROM: DIGITAL P.C.B.のIC22) に書き込みます。
下記の部品を交換した場合、正常動作のために本メニューでモデル名を書き込む必要があります。

- DIGITAL P.C.B.
- EEPROM : DIGITAL P.C.B. の IC22

モデル名を書き込むには、まず最初に "S5-1. SWITCH MODE" メニューで書き込みモードに切り替えて、それから "S5-2. MODEL NAME" メニューで目的のモデル名を選択します。

S5-1. SWITCH MODE

"STRAIGHT" キーを押すと表示が下記のように交互に切り替わります。"S5-1. SW: MODEL" が表示されているときに本機は書き込みモードになっています。

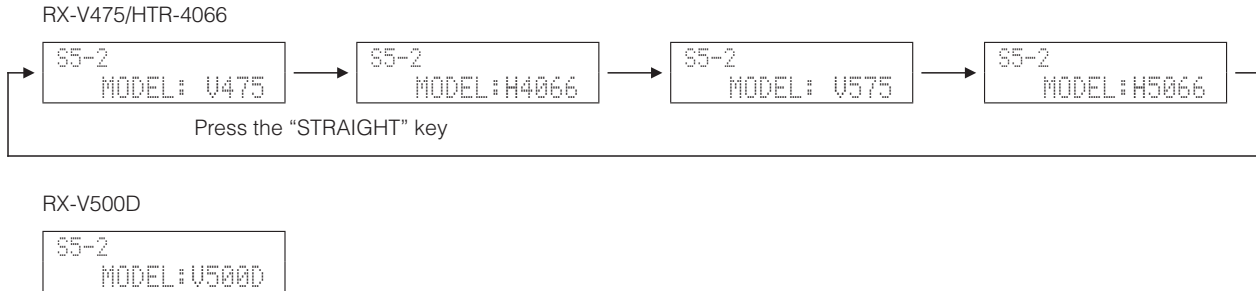
RX-V475/HTR-4066/
RX-V500D

S5-2. MODEL NAME

Select the desired model name by pressing the "STRAIGHT" key. Then the selected model name is written automatically.

S5-2. MODEL NAME

"STRAIGHT" キーを押して目的のモデル名を選択します。選択されたモデル名が自動的に書き込まれます。



S6. SYSTEM INFORMATION

This menu is used to display the model name and destination.

S6. SYSTEM INFORMATION

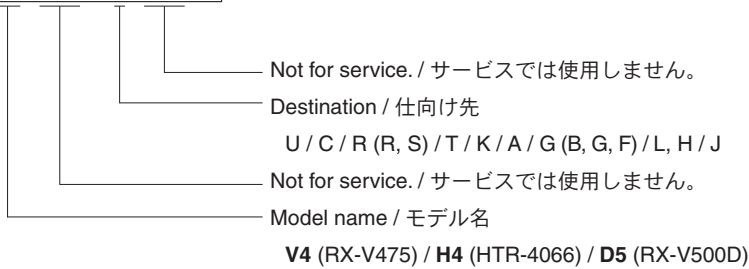
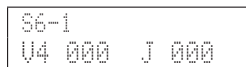
モデル名、仕向け先が表示されます。

S6-1. MODEL

The model name and destination are displayed.

S6-1. MODEL

モデル名、仕向け先が表示されます。

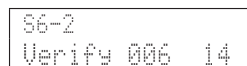


S6-2. VERIFY

Not for service.

S6-2. VERIFY

サービスでは使用しません。



■ POWER AMPLIFIER ADJUSTMENT / パワーアンプ調整

1. Right after power is turned on, confirm that the voltage across the terminals of R2152 (SURROUND Rch), R2149 (FRONT Rch), R2151 (CENTER), R2150 (FRONT Lch) and R2153 (SURROUND Lch) are within the confines of 0.1 mV to 10 mV.
2. If measured voltage exceeds 10 mV, remove R2107 (SURROUND Rch), R2111 (FRONT Rch), R2110 (CENTER), R2109 (FRONT Lch) and R2112 (SURROUND Lch), and then reconfirm the voltage.

Attention

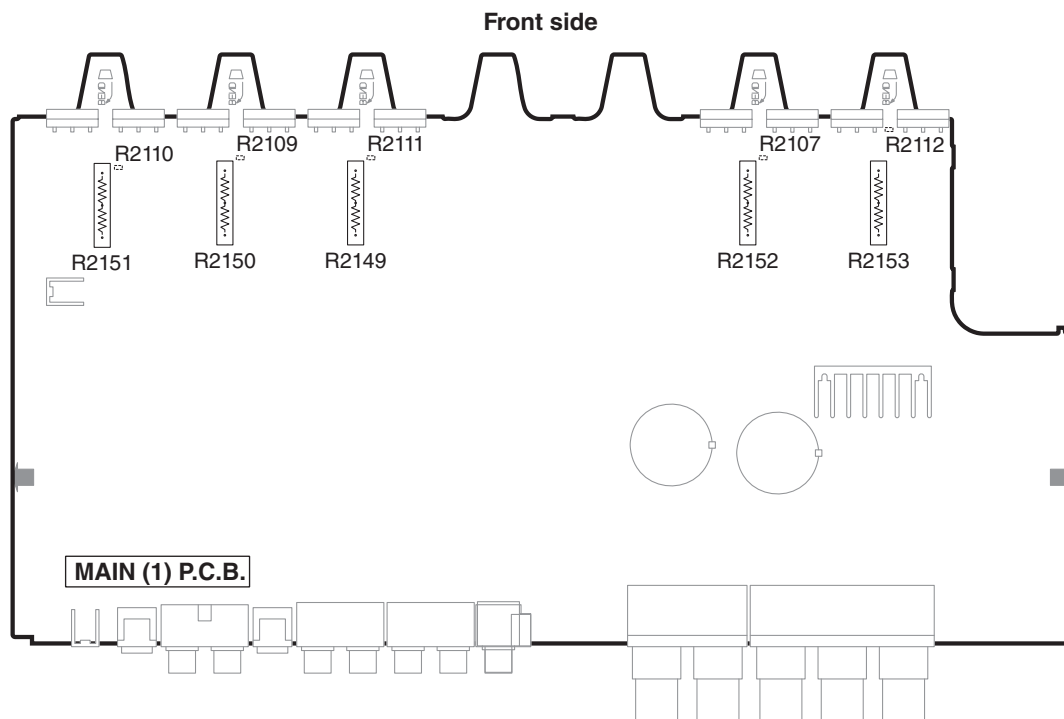
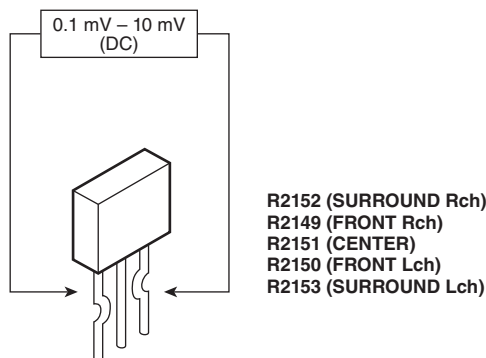
If the measured voltage exceeds 10 mV after repairing the power amplifier, check other parts again for any possible defect before removing the resistor.

3. Confirm that the voltage is within the confines of 0.2 mV to 15 mV after 60 minutes.

注意

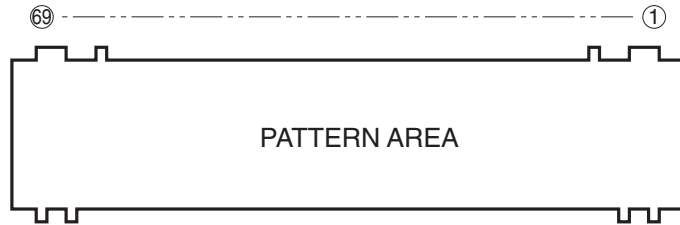
パワーアンプ修理後に 10 mV を超えている場合は、抵抗を外す前に故障箇所を調べてください。

3. 60 分後、電圧が 0.2 mV ~ 15 mV であることを確認してください。



■ DISPLAY DATA

● V4001 : 18-MT-11GNAK (OPERATION P.C.B.)



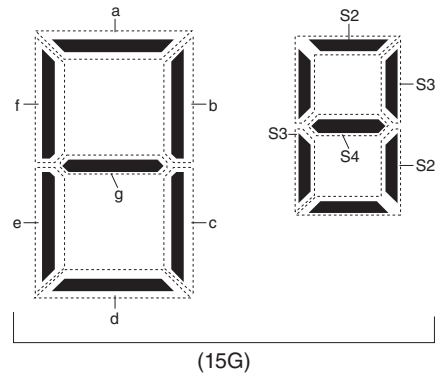
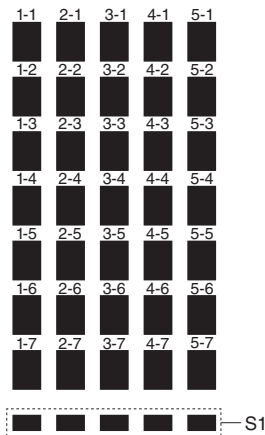
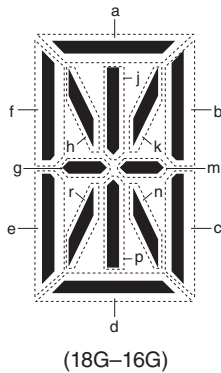
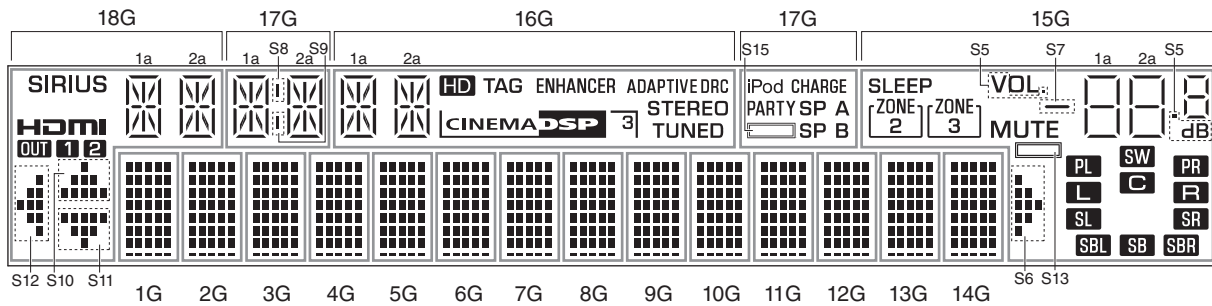
● PIN CONNECTION

Pin No.	69	68	67	66	65	64	63	62	61	60	59	58	57	56	55	54	53	52	51	50	49	48	47	46	45	44	43	42	41	40	39	38	37	36	35
Connection	F2	NX	NP	NP	P1	P2	P3	P4	P5	P6	P7	P8	P9	P10	P11	P12	P13	P14	P15	P16	P17	P18	P19	P20	P21	P22	P23	P24	P25	P26	P27	P28	P29	P30	P31

Pin No.	34	33	32	31	30	29	28	27	26	25	24	23	22	21	20	19	18	17	16	15	14	13	12	11	10	9	8	7	6	5	4	3	2	1
Connection	P32	P33	P34	P35	P36	NX	NX	NX	NX	NX	NX	NX	18G	17G	16G	15G	14G	13G	12G	11G	10G	9G	8G	7G	6G	5G	4G	3G	2G	1G	NP	NP	NX	F1

Note : 1) F1, F2 Filament pin 2) NP No pin 3) NX No extend pin 4) 1G-18G Grid pin

● GRID ASSIGNMENT



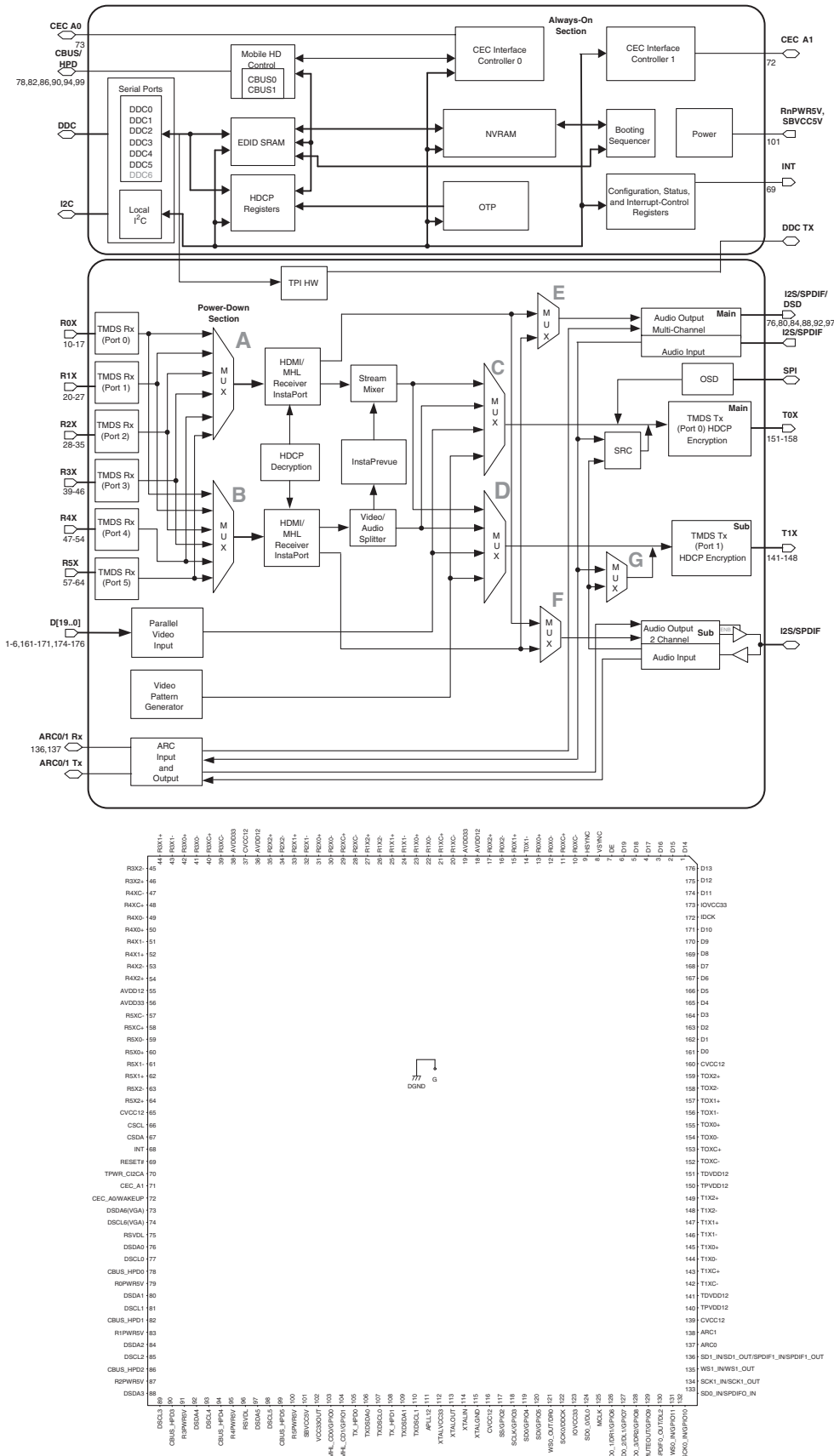
● ANODE CONNECTION

	18G	17G	16G	15G	1G-14G
P1	1a	1a	1a	S5	1-1
P2	1h	1h	1h	S7	2-1
P3	1j	1j	1j	1d	3-1
P4	1k	1k	1k	2d	4-1
P5	1b	1b	1b	S2	5-1
P6	1f	1f	1f	1e	1-2
P7	1m	1m	1m	2e	2-2
P8	1g	1g	1g	S3	3-2
P9	1c	1c	1c	1c	4-2
P10	1e	1e	1e	2c	5-2
P11	1r	1r	1r	S4	1-3
P12	1p	1p	1p	1g	2-3
P13	1n	1n	1n	2g	3-3
P14	1d	1d	1d	1f	4-3
P15	2a	2a	2a	2f	5-3
P16	2h	2h	2h	1b	1-4
P17	2j	2j	2j	2b	2-4
P18	2k	2k	2k	1a	3-4
P19	2b	2b	2b	2a	4-4
P20	2f	2f	2f	PL	5-4
P21	2m	2m	2m	SW	1-5
P22	2g	2g	2g	PR	2-5
P23	2c	2c	2c	L	3-5
P24	2e	2e	2e	C	4-5
P25	2r	2r	2r	R	5-5
P26	2p	2p	2p	SL	1-6
P27	2n	2n	2n	SR	2-6
P28	2d	2d	2d	SBL	3-6
P29	SIRIUS	S8	HD	SB	4-6
P30	OUT	S9	TAG	SBR	5-6
P31	HDMI	iPod CHARGE	CINEMA DSP	S6	1-7
P32	1	SP B	3	S13	2-7
P33	2	S15	STEREO	MUTE	3-7
P34	S12	SP A	TUNED	ZONE 2	4-7
P35	S10	PARTY	ENHANCER	ZONE 3	5-7
P36	S11	—	ADAPTIVE DRC	SLEEP	S1

IC DATA

IC1: SI19573CTUC (DIGITAL P.C.B.)
HDMI port processors

* No replacement part available. / サービス部品供給なし



HDMI Receiver and MHL Port Pins

Pin No.	Function Name	Type	I/O	Detail of Function
12	R0X0-	TMDS	Input	HDMI receiver Port 0 TMDS input data pairs.
13	R0X0+			
14	R0X1-			
15	R0X1+			
16	R0X2-			
17	R0X2+			
10	R0XC-	TMDS	Input	HDMI receiver Port 0 TMDS input clock pair.
11	R0XC+			
22	R1X0-	TMDS	Input	HDMI receiver Port 1 TMDS input data pairs.
23	R1X0+			
24	R1X1-			
25	R1X1+			
26	R1X2-			
27	R1X2+			
20	R1XC-	TMDS	Input	HDMI receiver Port 1 TMDS input clock pair.
21	R1XC+			
30	R2X0-	TMDS	Input	HDMI receiver Port 2 TMDS input data pairs.
31	R2X0+			
32	R2X1-			
33	R2X1+			
34	R2X2-			
35	R2X2+			
28	R2XC-	TMDS	Input	HDMI receiver Port 2 TMDS input clock pair.
29	R2XC+			
41	R3X0-	TMDS	Input	HDMI receiver Port 3 TMDS input data pairs.
42	R3X0+			
43	R3X1-			
44	R3X1+			
45	R3X2-			
46	R3X2+			
39	R3XC-	TMDS	Input	HDMI receiver Port 3 TMDS input clock pair.
40	R3XC+			
49	R4X0-	TMDS	Input	HDMI receiver Port 4 TMDS input data pairs.
50	R4X0+			
51	R4X1-			
52	R4X1+			
53	R4X2-			
54	R4X2+			
47	R4XC-	TMDS	Input	HDMI receiver Port 4 TMDS input clock pair.
48	R4XC+			
59	R5X0-	TMDS	Input	HDMI receiver Port 5 TMDS input data pairs.
60	R5X0+			
61	R5X1-			
62	R5X1+			
63	R5X2-			
64	R5X2+			
57	R5XC-	TMDS	Input	HDMI receiver Port 5 TMDS input clock pair.
58	R5XC+			

Note: For Port 0 and Port 5 that have been configured as MHL inputs, the R0X0+ and R0X0- pin pair and R5X0+ and R5X0- pin pair carry the respective MHL signals.

HDMI Transmitter Port Pins

Pin No.	Function Name	Type	I/O	Detail of Function
154	T0X0-	TMDS	Output	HDMI transmitter Port 0 TMDS output data pairs.
155	T0X0+			
156	T0X1-			
157	T0X1+			
158	T0X2-			
159	T0X2+			
152	T0XC-	TMDS	Output	HDMI transmitter Port 0 TMDS output clock pair.
153	T0XC+			
144	T1X0-	TMDS	Output	HDMI transmitter Port 1 TMDS output data pairs.
145	T1X0+			
146	T1X1-			
147	T1X1+			
148	T1X2-			
149	T1X2+			
142	T1XC-	TMDS	Output	HDMI transmitter Port 1 TMDS output clock pair.
143	T1XC+			

Audio Return Channel Pins

Pin No.	Function Name	Type	I/O	Detail of Function
137	ARC0	Analog	Input/Output	Audio Return Channels 0 and 1. These pins are used to transmit or receive an IEC60958-1 audio stream. In ARC transmitter mode, received on the SPDIFn_IN input pin, this pin transmits an S/PDIF signal to an ARC receiver-capable source (such as HTiB) or a repeater (such as AVR) devices, using single-mode ARC.
138	ARC1			In ARC receiver mode, transmitted through the SPDIFn_OUT pin, this pin receives an S/PDIF signal from an ARC transmitter-capable sink (such as DTV) device, using single-mode ARC. In combination with external components, common-mode ARC can be received. Each channel can either be an ARC input or an ARC output at one time.

Audio Pins

Pin No.	Function Name	Type	I/O	Detail of Function
121	WS0_OUT/DR0	LVTTTL	Output	Main port I2S word select output/DSD data right bit 0.
122	SCK0/DDCK	LVTTTL	Output	Main port I2S serial clock output/DSD clock output.
124	SDO_0/DL0	LVTTTL	Output	Main port I2S serial data 0 output/DSD data left bit 0 output.
125	MCLK	LVTTTL	Output	Master clock output.
126	SDO_1/DR1/GPIO6	LVTTTL	Output	Main port I2S serial data 1 output/DSD data right bit 1 output/programmable GPIO 6.
127	SDO_2/DL1/GPIO7	LVTTTL	Output	Main port I2S serial data 2 output/DSD data left bit 1 output/programmable GPIO 7.
128	SDO_3/DR2/GPIO8	LVTTTL	Output	Main port I2S serial data 3 output/DSD data right bit 2/programmable GPIO 8.
129	MUTEOUT/GPIO9	LVTTTL	Input/Output	Mute audio output/programmable GPIO 9.
130	SPDIF0_OUT/DL2	Analog/LVTTTL	Output	Main port S/PDIF output/DSD data left bit 2.
131	WS0_IN/GPIO11	LVTTTL	Input/Output	Main port I2S word select input/programmable GPIO 11.
132	SCK0_IN/GPIO10	LVTTTL	Input/Output	Main port I2S serial clock input/programmable GPIO 10.
133	SD0_IN/SPDIF0_IN	Analog/LVTTTL	Input	Main port I2S serial data input/S/PDIF input.
134	SCK1_IN/SCK1_OUT	LVTTTL	Input/Output	Sub port I2S serial clock1 input/I2S serial bit clock output.
135	WS1_IN/WS1_OUT	LVTTTL	Input/Output	Sub port I2S word select input/I2S word select output.
136	SD1_IN/SD1_OUT/SPDIF1_IN/SPDIF1_OUT	LVTTTL	Input/Output	Sub port I2S serial data input/I2S serial data1 output/ SPDIF input/SPDIF output.

Crystal Pins

Pin No.	Function Name	Type	I/O	Detail of Function
113	XTALOUT	LVTTTL 5 V tolerant	Output	Crystal clock output.
114	XTALIN	LVTTTL 5 V tolerant	Input	Crystal clock input.

SPI Interface Pins

Pin No.	Function Name	Type	I/O	Detail of Function
117	SS/GPIO2	LVTTTL	Input/Output	SPI slave select/programmable GPIO 2.
118	SCLK/GPIO3	LVTTTL Schmitt Open drain/	Input/Output	SPI clock/programmable GPIO 3.
119	SDO/GPIO4	LVTTTL Schmitt Open drain	Input/Output	SPI slave data output/master data input/programmable GPIO 4.
120	SDI/GPIO5	LVTTTL Schmitt Open drain	Input/Output	SPI slave data input/master data output/programmable GPIO 5.

Parallel Video Bus

Pin No.	Function Name	Type	I/O	Detail of Function
1	D14	LVTTTL	Input	Video data inputs. The video data inputs can be configured to support a wide variety of input formats, including multiple RGB and YCbCr bus formats, using register settings.
2	D15			
3	D16			
4	D17			
5	D18			
6	D19			
161	D0			
162	D1			
163	D2			
164	D3			
165	D4			
166	D5			
167	D6			
168	D7			
169	D8			
170	D9			
171	D10			
174	D11			
175	D12			
176	D13			
7	DE	LVTTTL	Input	Data enable input.
9	HSYNC	LVTTTL	Input	Horizontal sync input.
8	VSYNC	LVTTTL	Input	Vertical sync input.
172	IDCK	LVTTTL	Input	Input data clock.

RX-V475/HTR-4066/RX-V500D

System Switching Pins

Pin No.	Function Name	Type	I/O	Detail of Function
76	DSDA0	LVTTL Schmitt Open drain 5 V tolerant	Input/Output	DDC I2C data for respective HDMI receiver port. These signals are true open drain, and do not pull to ground when power is not applied to the device. These pins require an external pull-up resistor.
80	DSDA1			
84	DSDA2			
88	DSDA3			
92	DSDA4			
97	DSDA5			
73	DSDA6(VGA)	LVTTL Schmitt Open drain 5 V tolerant	Input/Output	DDC I2C data for VGA port. This signal is true open drain, and does not pull to ground when power is not applied to the device. This pin requires an external pull-up resistor.
77	DSCL0	LVTTL Schmitt Open drain 5 V tolerant	Input	DDC I2C clock for respective HDMI receiver port. These signals are true open drain, and do not pull to ground when power is not applied to the device. These pins require an external pull-up resistor.
81	DSCL1			
85	DSCL2			
89	DSCL3			
93	DSCL4			
98	DSCL5			
74	DSCL6(VGA)	LVTTL Schmitt Open drain 5 V tolerant	Input	DDC I2C clock for VGA port. This signal is true open drain, and does not pull to ground when power is not applied to the device. This pin requires an external pull-up resistor.
106	TXDSDA0	LVTTL Schmitt Open drain 5 V tolerant	Input/Output	DDC master I2C data for HDMI transmitter Port 0. This signal is true open drain, and does not pull to ground when power is not applied to the device. This pin requires an external pull-up resistor.
109	TXDSDA1	LVTTL Schmitt Open drain 5 V tolerant	Input/Output	DDC master I2C data for HDMI transmitter Port 1. This signal is true open drain, and does not pull to ground when power is not applied to the device. This pin requires an external pull-up resistor.
107	TXDSCL0	LVTTL Schmitt Open drain 5 V tolerant	Input/Output	DDC master I2C clock for HDMI transmitter Port 0. This signal is true open drain, and does not pull to ground when power is not applied to the device. This pin requires an external pull-up resistor.
110	TXDSCL1	LVTTL Schmitt Open drain 5 V tolerant	Input/Output	DDC master I2C clock for HDMI transmitter Port 1. This signal is true open drain, and does not pull to ground when power is not applied to the device. This pin requires an external pull-up resistor.
79	R0PWR5V	Power	Input	5 V port detection input for respective HDMI receiver port. Connect to 5 V signal from HDMI input connector. These pins require a 10 ohms series resistor, a 5.1 k-ohms pull down resistor, and at least a 1 μ F capacitor to ground.
83	R1PWR5V			
87	R2PWR5V			
91	R3PWR5V			
95	R4PWR5V			
100	R5PWR5V			
78	CBUS_HPD0	LVTTL 1.5 mA 5 V tolerant Analog	Input/Output	Hot plug detect output for the respective HDMI receiver port. In MHL mode, these pins serve as the respective CTRL bus.
82	CBUS_HPD1			
86	CBUS_HPD2			
90	CBUS_HPD3			
94	CBUS_HPD4			
99	CBUS_HPD5			
105	TX_HPD0	LVTTL 5 V tolerant	Input	Hot plug detect input for HDMI transmitter Port 0.
108	TX_HPD1	LVTTL 5 V tolerant	Input	Hot plug detect input for HDMI transmitter Port 1.
103	MHL_CD0/GPIO0	LVTTL	Input/Output	MHL cable detect 0/programmable GPIO 0.
104	MHL_CD1/GPIO1	LVTTL	Input/Output	MHL cable detect 1/programmable GPIO 1.

Control Pins

Pin No.	Function Name	Type	I/O	Detail of Function
66	C_SCL	Schmitt Open drain 5 V tolerant	Input	Local configuration/status I2C clock. Chip configuration/status is accessed via this I2C port. This pin is true open drain, so it does not pull to ground if power is not applied.
67	C_SDA	LVTTL Schmitt Open drain 5 V tolerant	Input/Output	Local configuration/status I2C data. Chip configuration/status is accessed via this I2C port. This pin is true open drain, so it does not pull to ground if power is not applied.
69	RESET#	Schmitt	Input	External reset. Active LOW. Must be pulled up to VCC33OUT. When main power is not provided to the system, the microprocessor must present a high impedance of at least 100 k-ohms to RESET#. If this condition is not met, a circuit to block the leakage from VCC33OUT to the microprocessor GPIO may be required.

Configuration Pins

Pin No.	Function Name	Type	I/O	Detail of Function
70	TPWR_C12CA	LVTTL	Input/Output	I2C slave address input / Transmit power sense output. During power-on-reset (POR), this pin is used as an input to latch the I2C subaddress. The level on this pin is latched when the POR transitions from the asserted state to the de-asserted state. After completion of POR, this pin is used as the TPWR output. A register setting can change this pin to show if the active port is receiving a TMDS clock.
68	INT	Schmitt Open drain 8 mA 3.3 V tolerant	Output	Interrupt output. This is an open-drain output and requires an external pull-up resistor.

CEC Pins

Pin No.	Function Name	Type	I/O	Detail of Function
72	CEC_A0	CEC Compliant 5V tolerant, Schmitt triggered, LVTTL	Input/Output	Primary CEC I/O used for interfacing to CEC devices This signal is electrically compliant with the CEC specification. As an input, this pin acts as an LVTTL schmitt triggered input and is 5 V tolerant. As an output, the pin acts as an NMOS driver with resistive pull-up. This pin has an internal pull-up resistor. This signal should be connected to the CEC signal of all HDMI input and output ports if the system supports just one CEC line. OR In a system designed to have separate CEC connectivity for the HDMI input and output ports, this signal should be connected to the CEC signal of all the input ports supported in the system. This signal and CEC_A0 each connect to a separate CEC controller within the port processor and are independent of each other.
71	CEC_A1	CEC Compliant 5V tolerant, Schmitt triggered, LVTTL	Input/Output	Secondary CEC I/O used for interfacing to CEC devices. This signal is electrically compliant with the CEC specification. As an input, this pin acts as an LVTTL schmitt triggered input and is 5 V tolerant. As an output, the pin acts as an NMOS driver with resistive pull-up. This pin has an internal pull-up resistor. This is an optional CEC signal provided for system designers who want to implement a system with two independent CEC lines, such as a system that supports a separate CEC line for the HDMI input ports and the HDMI output ports. In the example of a DTV that provides a second HDMI output using the SiI957n port processor; this signal can be connected to the CEC signal of the output port while the CEC_A1 signal is connected to the CEC signal of the input ports. This signal and CEC_A1 each connect to a separate CEC controller within the port processor and are independent of each other.

Power and Ground Pins

Pin No.	Function Name	Type	I/O	Detail of Function
19	AVDD33	Power	3.3 V	TMDS core VDD.
38				
56				
123	IOVCC33	Power	3.3 V	I/O VCC.
173				
101	SBVCC5	Power	5.0 V	Local power from system. This pin requires a 10 ohms series resistor.
18	AVDD13	Power	1.3 V	TMDS receiver core VDD.
36				
55				
37	CVCC13	Power	1.3 V	Digital core VCC.
65				
116				
139				
160				
111	APLL13	Power	1.3 V	PLL analog VCC.
102	VCC33OUT	Power	3.3 V	Internal regulator 3.3 V output.
140	TPVDD13	Power	1.3 V	Analog power for TMDS Tx core.
150				
141	TDVDD13	Power	1.3 V	Digital power for TMDS Tx core.
151				
112	XTALVCC33	Power	3.3 V	PLL crystal oscillator power.
115	XTALGND	Ground	GND	PLL crystal oscillator ground.
ePad	GND	Ground	GND	The ePad must be soldered to ground, as this is the only ground connection for the device.

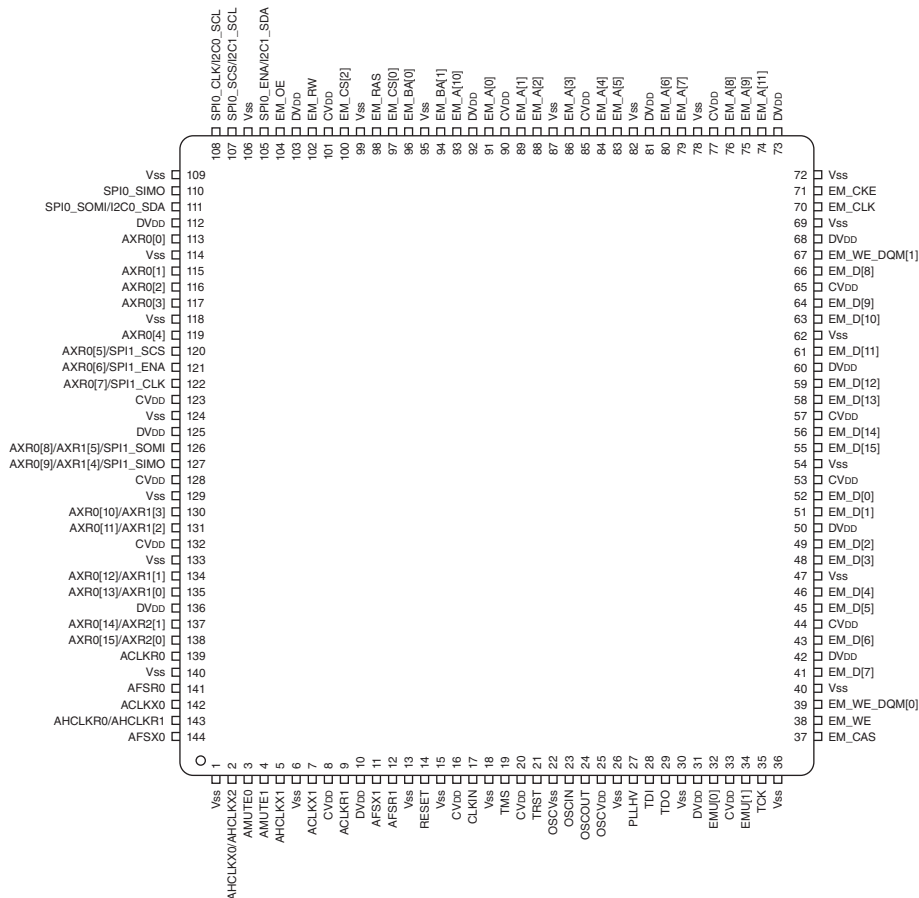
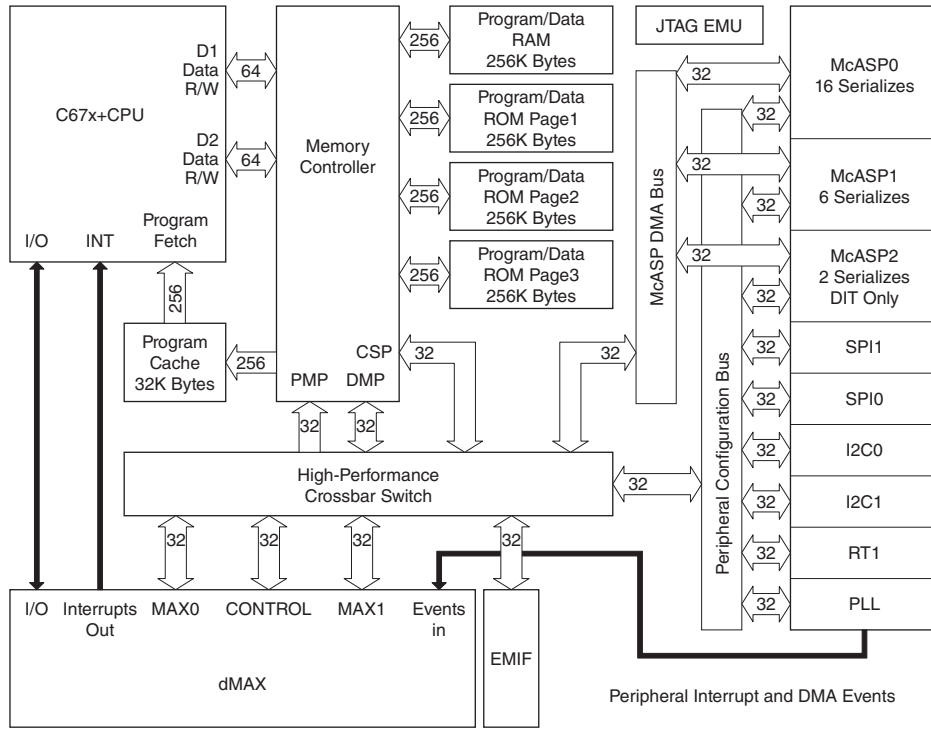
Reserved Pin

Pin No.	Function Name	Type	Detail of Function
75	RSVDL	Reserved	Reserved, must be tied to ground.
96			

IC41: D70YE101BRFP266 (DIGITAL P.C.B.)

Decoder/Post processor

* No replacement part available. / サービス部品供給なし



No.	Function Name (P.C.B.)	I/O	Detail of Function
1	VSS		
2	AHCLKX0/AHCLKX2	IO	McASP0 and McASP2 transmit master clock
3	AMUTE0	IO	McASP0 mute output
4	AMUTE1	IO	McASP1 mute output
5	AHCLKX1	IO	McASP1 transmit master clock
6	VSS		
7	ACLKX1	IO	McASP1 transmit bit clock
8	CVDD		
9	ACLKR1	IO	McASP1 receive bit clock
10	DVDD		
11	AFSX1	IO	McASP1 transmit frame Sync (L/R clock)
12	AFSR1	IO	McASP1 receive frame Sync (L/R clock)
13	VSS		
14	RESET	IO	Device reset pin
15	VSS		
16	CVDD		
17	CLKIN	IO	Alternate clock input (3.3-V LVCMOS input)
18	VSS		
19	TMS	IO	Test mode select
20	CVDD		
21	TRST	IO	Test reset
22	OSCVSS	PWR	Oscillator Vss tap point (for filter only)
23	OSCIN	IO	1.2-V oscillator input
24	NC	O	
25	OSCVDD	PWR	Oscillator 1.2-V Vpp tap point (for filter only)
26	VSS		
27	PLLHV	PWR	PLL 3.3-V supply input (requires external filter)
28	TDI	IO	Test data in
29	TDO	OZ	Test data out
30	VSS		
31	DVDD		
32	EMU[0]	IO	Emulation pin 0
33	CVDD		
34	EMU[1]	IO	Emulation pin 1
35	TCK	IO	Test clock
36	Ground(Vss)		
37	EM_CAS	O	SDRAM column address strobe
38	EM_WE	O	SDRAM write enable
39	EM_WE_DQM[0]	O	Write enable or byte enable for EM_D [7:0]
40	VSS		
41	EM_D[7]	IO	EMIF data bus [lower 16-bits]
42	DVDD		
43	EM_D[6]	IO	EMIF data bus [lower 16-bits]
44	CVDD		
45	EM_D[5]	IO	EMIF data bus [lower 16-bits]
46	EM_D[4]	IO	EMIF data bus [lower 16-bits]
47	VSS		
48	EM_D[3]	IO	EMIF data bus [lower 16-bits]
49	EM_D[2]	IO	EMIF data bus [lower 16-bits]
50	DVDD		

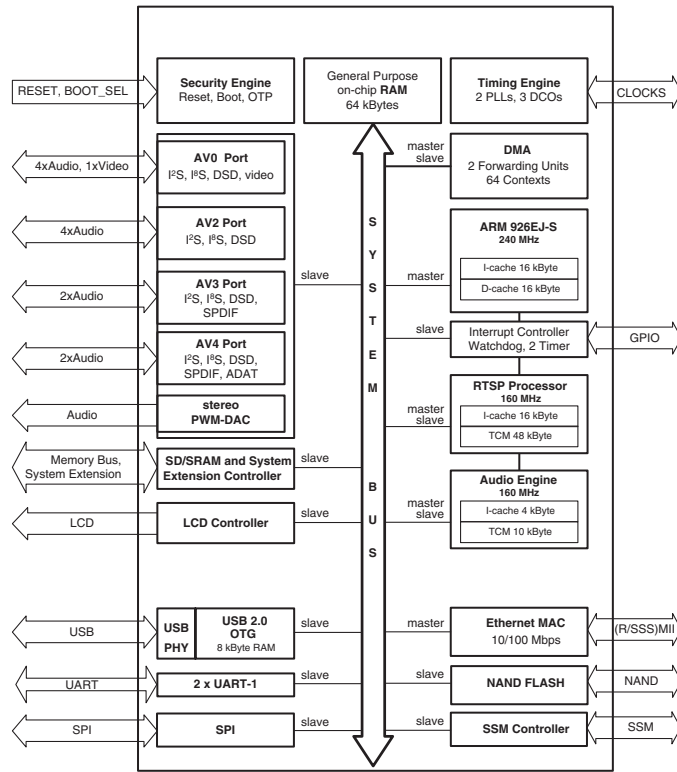
No.	Function Name (P.C.B.)	I/O	Detail of Function
51	EM_D[1]	IO	EMIF data bus [lower 16-bits]
52	EM_D[0]	IO	EMIF data bus [lower 16-bits]
53	CVDD		
54	VSS		
55	EM_D[15]	IO	EMIF data bus [lower 16-bits]
56	EM_D[14]	IO	EMIF data bus [lower 16-Bits]
57	CVDD		
58	EM_D[13]	IO	EMIF data bus [lower 16-Bits]
59	EM_D[12]	IO	EMIF data bus [lower 16-Bits]
60	DVDD		
61	EM_D[11]	IO	EMIF data bus [lower 16-Bits]
62	VSS		
63	EM_D[10]	IO	EMIF data bus [lower 16-Bits]
64	EM_D[9]	IO	EMIF data bus [lower 16-Bits]
65	CVDD		
66	EM_D[8]	IO	EMIF data bus [lower 16-bits]
67	EM_WE_DQM[1]	O	Write enable or byte enable for EM_D [15:8]
68	DVDD		
69	VSS		
70	EM_CLK	O	SDRAM clock
71	EM_CKE	O	SDRAM clock enable
72	VSS		
73	DVDD		
74	EM_A[11]	O	EMIF address bus
75	EM_A[9]	O	EMIF address bus
76	EM_A[8]	O	EMIF address bus
77	CVDD		
78	VSS		
79	EM_A[7]	O	EMIF address bus
80	EM_A[6]	O	EMIF address bus
81	DVDD		
82	VSS		
83	EM_A[5]	O	EMIF address bus
84	EM_A[4]	O	EMIF address bus
85	CVDD		
86	EM_A[3]	O	EMIF address bus
87	VSS		
88	EM_A[2]	O	EMIF address bus
89	EM_A[1]	O	EMIF address bus
90	CVDD		
91	EM_A[0]	O	EMIF address bus
92	DVDD		
93	EM_A[10]	O	EMIF address bus
94	EM_BA[1]	O	SDRAM bank address and asynchronous memory Low-Order address
95	VSS		
96	EM_BA[0]	O	SDRAM bank address and asynchronous memory Low-Order address
97	EM_CS[0]	O	SDRAM chip select
98	EM_RAS	O	SDRAM row address strobe
99	VSS		
100	EM_CS[2]	O	Asynchronous memory chip select

No.	Function Name (P.C.B.)	I/O	Detail of Function
101	CVDD		
102	NC	O	Asynchronous memory read/not write
103	DVDD		
104	EM_OE	O	SDRAM output enable
105	SPI0_ENA/I2C1_SDA	IO	SPI0 enable (ready) or I2c1 serial data
106	VSS		
107	SPI0_ENA/I2C1_SCL	IO	SPI0 enable (ready) or I2c1 serial clock
108	SPI0_CLK/I2C0_SCL	IO	SPI0 serial clock or I2c0 serial clock
109	VSS		
110	SPI0_SIMO	IO	SPI0 data pin slave in master out
111	SPI0_SOMI/I2C0_SDA	IO	SPI0 data pin slave out master in or I2C0 serial data
112	DVDD		
113	AXR0[0]	IO	McASP0 serial data 0
114	VSS		
115	AXR0[1]	IO	McASP0 serial data 1
116	AXR0[2]	IO	McASP0 serial data 2
117	AXR0[3]	IO	McASP0 serial data 3
118	VSS		
119	AXR0[4]	IO	McASP0 serial data 4
120	SPI1_SCS	IO	McASP0 serial data 5 or SPI1 slave chip select
121	SPI1_ENA	IO	McASP0 serial data 6 or SPI1 enable (ready)
122	SPI1_CLK	IO	McASP0 serial data 7 or SPI1 serial clock
123	CVDD		
124	VSS		
125	DVDD		
126	/SPI1_SOMI	IO	McASP0 serial data 8 or McASP1 serial data 5 or SPI1 data pin slave out master in
127	/SPI1_SIMO	IO	McASP0 serial data 9 or McASP1 serial data 4 or SPI1 data pin slave in master out
128	CVDD		
129	VSS		
130	AXR0[10]	IO	McASP0 serial data 10 or McASP1 serial data 3
131	AXR0[11]	IO	McASP0 serial data 11 or McASP1 serial data 2
132	CVDD		
133	VSS		
134	AXR0[12]	IO	McASP0 serial data 12 or McASP1 serial data 1
135	AXR0[13]	IO	McASP0 serial data 13 or McASP1 serial data 0
136	DVDD		
137	AXR0[14]	IO	McASP0 serial data 14 or McASP2 serial data 1
138	AXR0[15]	IO	McASP0 serial data 15 or McASP2 serial data 0
139	ACLKR0	IO	McASP0 receive bit clock
140	VSS		
141	AFSR0	IO	McASP0 receive frame Sync (L/R clock)
142	ACLKX0	IO	McASP0 transmit bit clock
143	AHCLKR0/AHCLKR1	IO	McASP0 and McASP1 receive master clock
144	AFSX0	IO	McASP0 transmit frame Sync (L/R clock)

IC951: DM860A (DIGITAL P.C.B.)

Network microprocessor

* No replacement part available. / サービス部品供給なし



	1	2	3	4	5	6	7	8	9	10	11	12	13	14	15	16	17	18	
A	USBDN	VDD33 USBC	VSS33 USBC	n.c.	n.c.	VDD33	RFLCKP	RFRXQP	RFRXIP	HIGHZ	SSMD0	SSMD4	SSMCMD	RXD1	TDO	TDI	A0	A1	A
B	USBDP	VDD33 USBT	VSS33 USBT	n.c.	n.c.	VSS	RFLCKN	RFRXQN	RFRXIN	TEST1	SSMD1	SSMD5	TXD1	RXD0	TMS	SPICLK	SPINCS1	A2	B
C	VSS12 USB	USBREXT	USBXO	USBXI	NRES12 OUT	VSS	RREF	n.c.	n.c.	SSMCKL	SSMD2	SSMD6	TXD0	TCK	SPINCS0	A3	A4	A5	C
D	VDD12 USB	USBVBUS	USBATST	NRES33 OUT	NRES33 REF	NRES12 REF	VDD33	VDD12	SSMWP	SSMCP	SSMD3	SSMD7	NRESET	SPDI	SPIDO	A6	A7	A8	D
E	VSS33 RTC	USBDID	USBVB USDRV	NC		VDD12 CORE	VDD12 CORE	VDD33IO	VDD33IO	VDD12 CORE	VDD12 CORE	VDD33IO	VDD33IO		A9	A10	A11	A12	E
F	VDD33 RTC	RTCXIN	VDD33 PLL	NC	VDD33IO	VSS	VSS	VSS	VSS	VSS	VSS	VSS	VSS	VDD12 CORE	A13_RAS	A14_CAS	A15_BA0	A16_BA1	F
G	VDD12 DCO	RTXCOUT	VSS33 PLL	NC	VDD33IO	VSS	VSS	VSS	VSS	VSS	VSS	VSS	VSS	VDD12 CORE	A17_DQ M0	A18_DQ M1	A19	A20	G
H	VSS12 DCO	VSS12 PLL	VDD12 PLL	NC	VDD12 CORE	VSS	VSS	VSS	VSS	VSS	VSS	VSS	VSS	VDD33IO	A21	A22	A23	NCS3	H
J	PDOUT1	VC01	XTALO	NC	VDD12 CORE	VSS	VSS	VSS	VSS	VSS	VSS	VSS	VSS	VDD33IO	NCS0	NCS1	NCS2	MEMCKE	J
K	PDOUT0	VC00	XTALI	AOUTLP	VDD33IO	VSS	VSS	VSS	VSS	VSS	VSS	VSS	VSS	VDD12 CORE	MEMCLK	NWE	NOE	NWAIT	K
L	AV0CLK	AOUTLN	AOUTRN	AOUTRP	VDD33IO	VSS	VSS	VSS	VSS	VSS	VSS	VSS	VSS	VDD12 CORE	D3	D2	D1	D0	L
M	AV0 CTRL0	AV0 CTRL1	AV0 CTRL2	AV0 DATA3	VDD12 CORE	VSS	VSS	VSS	VSS	VSS	VSS	VSS	VSS	VDD33IO	D7	D6	D5	D4	M
N	AV0 DATA2	AV0 DATA1	AV0 DATA0	AV1 DATA3	VDD12 CORE	VSS	VSS	VSS	VSS	VSS	VSS	VSS	VSS	VDD33IO	D11	D10	D9	D8	N
P	AV1 DATA2	AV1 DATA1	AV1 DATA0	AV2 DATA3		VDD33IO	VDD33IO	VDD12 CORE	VDD12 CORE	VDD33IO	VDD33IO	VDD12 CORE	VDD12 CORE		FD0	FD1	D13	D12	P
R	AV2CLK	AV2 CTRL1	AV2 DATA2	AV3CLK	AV3 DATA1	LCDD11	LCDD7	LCDD3	LCD CTRL0	VPP	MIITXEN	MIITXCLK	MIIRXER	MIIGRS	FD2	FD3	FD4	D14	R
T	AV2 CTRL0	AV2 DATA1	AV3 CTRL1	AV3 DATA0	LCDD14	LCDD10	LCDD6	LCDD2	LCD CTRL1	LCDDCLK	MIITXER	MIIRXCLK	MIICOL	MII RXDV	FD5	FD6	FD7	D15	T
U	AV2 DATA0	AV3 CTRL0	AV4 DATA1	LCDD16	LCDD13	LCDD9	LCDD5	LCDD1	LCD CTRL2	MIITXD0	MIITXD2	MIIRXD0	MIIRXD2	MIIMDIO	NFCE0	FCLE	NFWE	NFRB	U
V	NC	AV4 DATA0	LCDD17	LCDD15	LCDD12	LCDD8	LCDD4	LCDD0	LCD CTRL3	MIITXD1	MIITXD3	MIIRXD1	MIIRXD3	MIIMDC	MIPHY CLK	NFWP	NFRE	FALE	V
	1	2	3	4	5	6	7	8	9	10	11	12	13	14	15	16	17	18	

RX-V475/HTR-4066/ RX-V500D

AV-Port 0

Pin No.	Function Name	I/O	Detail of Function
M4	AV0DATA[3:0]	I/O	Audio/video data. Several formats are supported.
N1			
N2			
N3			
N4	AV1DATA[3:0]	I/O	Video data, together with AV0DATA[3:0]: AV0DATA[3:0] = video[3:0] AV1DATA[3:0] = video[7:4]
P1			
P2			
P3			
L1	AV0CLK	I/O	Data clock. Depending on the AV-Port 0 configuration, this clock is a bit- or byte-clock which is used to transmit or receive the AV0DATA[*] synchronously.
M1	AV0CTRL0	I/O	Configurable sync signal: <ul style="list-style-type: none"> Serial audio formats: LRCK input or output. Video formats: PSYNC input or output.
M2	AV0CTRL1	I/O	Configurable sync signal: <ul style="list-style-type: none"> Serial audio formats: Master clock output. Video formats: DVALID input or output.
M3	AV0CTRL2	I/O	Configurable sync signal: <ul style="list-style-type: none"> Video formats: FSYNC input or output.

AV-Port 2

Pin No.	Function Name	I/O	Detail of Function
P4	AV2DATA[3:0]	I/O	Audio data. Several formats are supported.
R3			
T2			
U1			
R1	AV2CLK	I/O	Data clock. Depending on the AV-Port 2 configuration this clock is a bit-clock which is used to transmit or receive the AV2DATA[*] synchronously.
T1	AV2CTRL0	I/O	Configurable sync signal: Serial audio formats: LRCK input or output.
R2	AV2CTRL1	I/O	Configurable sync signal: Serial audio formats: Master clock output.

AV-Port 3

Pin No.	Function Name	I/O	Detail of Function
R5	AV3DATA[1:0]	I/O	Audio data. Several formats are supported.
T4			
R4	AV3CLK	I/O	Data clock. Depending on the AV-Port 3 configuration this clock is a bit-clock which is used to transmit or receive the AV3DATA[*] synchronously.
U2	AV3CTRL0	I/O	Configurable sync signal: Serial audio formats: LRCK input or output.
T3	AV3CTRL1	I/O	Configurable sync signal: Serial audio formats: Master clock output.

AV-Port 4

Pin No.	Function Name	I/O	Detail of Function
U3	AV4DATA[1:0]	I/O	Audio data. Several formats are supported.
V2			

PWM-DAC

Pin No.	Function Name	I/O	Detail of Function
K4	AOUTLP	O	Left channel PWM output (positive).
L2	AOUTLN	O	Left channel PWM output (negative).
L4	AOUTRP	O	Right channel PWM output (positive).
L3	AOUTRN	O	Right channel PWM output (negative).

UART Interface

Pin No.	Function Name	I/O	Detail of Function
B14	RXD0	I	UART-0 receive signal.
C13	TXD0	O	UART-0 transmit signal.
A14	RXD1	I	UART-1 receive signal.
B13	TXD1	O	UART-1 transmit signal.

Serial Peripheral Interface (SPI)

Pin No.	Function Name	I/O	Detail of Function
D14	SPIDIN	I	SPI data receive.
D15	SPIDOUT	O	SPI data transmit.
B16	SPICLK	I/O	SPI clock.
C15	SPINCS0	I/O	Multi-master mode: Chip-select input (used to detect bus conflict). Master only mode: Chip-select 1 output. Slave mode: Chip-select input.
B17	SPINCS1	I/O	Multi-master mode: Chip-select 2 output. Master only mode: Chip-select 2 output. Slave mode: Not used.

External Memory Interface

Pin No.	Function Name	I/O	Detail of Function
T18	D[15:0]	I/O	Data bus for external memory and peripheral access.
R18			
P17			
P18			
N15			
N16			
N17			
N18			
M15			
M16			
M17			
M18			
L15			
L16			
L17			
L18			
E18	A[12:0]	O	Address bus for external memory and peripheral access.
E17			
E16			
E15			
D18			
D17			
D16			
C18			
C17			
C16			
B18			
A18			
A17			
F15	A13_RAS	O	SRAM: Address output SDRAM: Row access strobe
F16	A14_CAS	O	SRAM: Address output SDRAM: Column access strobe
F17	A15_BA0	O	SRAM: Address output SDRAM: Bank select
F18	A16_BA1	O	SRAM: Address output SDRAM: Bank select
G15	A17_DQM0	O	SRAM: Address output SDRAM: Data mask
G16	A18_DQM1	O	SRAM: Address output SDRAM: Data mask
H17	A[23:19]	O	Address bus for external memory and peripheral access.
H16			
H15			
G18			
G17			

RX-V475/HTR-4066/
RX-V500D

Pin No.	Function Name	I/O	Detail of Function
H18	NCS[3:0]	O	Chip select signals. The active memory range for NCS[n] (active low) can be configured. <ul style="list-style-type: none"> • NCS[0] supports SRAM, can be used for booting. • NCS[1] supports SDRAM or SRAM. • NCS[2] supports SRAM. • NCS[3] supports SRAM.
J17			
J16			
J15			
K17	NOE	O	Output enable, asserted (low) for read operations.
K16	NWE	O	Write enable, asserted (low) for write operations.
K18	NWAIT	I	External wait line. If NWAIT is asserted, memory access will be stalled. Can be configured as either low-active (default) or high-active.
K15	MEMCLK	O	SDRAM system clock.
J18	MEMCKE	O	SDRAM clock enable.

NAND-Flash Interface

Pin No.	Function Name	I/O	Detail of Function
T17	FD[7:0]	I/O	Bi-directional data bus.
T16			
T15			
R17			
R16			
R15			
P16			
P15			
V18	FALE	O	Address latch enable; pull-up/down defines boot mode.
U16	FCLE	O	Command latch enable; pull-up/down defines boot mode.
U15	NFCE0	O	Chip-enable, low-active.
U18	NFRB	I	Ready/busy. NAND flash is busy when NFRB is low.
V17	NFRE	O	Read enable, low-active.
U17	NFWE	O	Write enable, low-active.
V16	NFWP	O	Write protect, low-active.

Ethernet MAC-Phy Interface (MII)

Pin No.	Function Name	I/O	MII	RMII	SMII
U14	MIIDIO	I/O	Management data	Management data	
V14	MIIMDC	O	Management clock	Management clock	
V13	MIIRXD[3]	I	RxD 3	RxD 1	
U13	MIIRXD[2]	I	RxD 2	RxD 0	
V12	MIIRXD[1]	I	RxD 1		Rx-Sync
U12	MIIRXD[0]	I	RxD 0		RxD
T12	MIIRXCLK	I	Receive clock		Receive clock
R13	MIIRXER	I	Receive error	Receive error	
T14	MIIRXDV	I	Receive data valid	Carrier sense/data valid	
V11	MIITXD[3]	O	TxD 3	TxD 1	
U11	MIITXD[2]	O	TxD 2	TxD 0	
V10	MIITXD[1]	O	TxD 1		Tx-Sync
U10	MIITXD[0]	O	TxD 0		TxD
R12	MIITXCLK	I	Transmit clock		Transmit clock
T11	MIITXER	O	Transmit error		
R11	MIITXEN	O	Transmit data enable	Transmit data enable	
T13	MIICOL	I	MII ethernet collision		
R14	MIICRS	I	MII carrier sense		
V15	MIIPHYCLK	O	25.000 MHz clock	50.000 MHz clock	125.000 MHz clock

USB 2.0 OTG

Pin No.	Function Name	I/O	Detail of Function
B1	USBD+	I/O	Positive data line that is connected to the serial USB cable.
A1	USBD-	I/O	Negative data line that is connected to the serial USB cable.
E2	USBID	I	USB ID pin of mini-AB receptacle.
C2	USBREXT	I	External bias resistor (2K7, 1%); connect resistor to VSSUSB.
D2	USBVBUS	I	VBUS voltage sense.
E3	USBVBUSDRV	O	Control signal to control VBUS 5V voltage source.
C4	USBXTALI	I	Oscillator circuit input for a 24.000 MHz crystal (optional). Without external crystal, pull this pin to GND.
C3	USBXTALO	O	Oscillator circuit output for a 24.000 MHz crystal (optional). Without external crystal, leave this pin open.
D3	USBATST	-	Do not connect.

Power-on Reset Pins

Pin No.	Function Name	I/O	Detail of Function
D6	NRES12REF	I	Voltage reference input. NRES12OUT is release when this input voltage exceeds VTH12.
C5	NRES12OUT	O	Open-drain reset (active low) for 1.2V core power supply.
D5	NRES33REF	I	Voltage reference input. NRES33OUT is release when this input voltage exceeds VTH33.
D4	NRES33OUT	O	Open-drain reset (active low) for 3.3V core power supply

Real-Time Clock (RTC) Pins (RTC is Not Supported)

Pin No.	Function Name	I/O	Detail of Function
F2	RTCXIN	I	No connection. Leave this pin open circuit.
G2	RTCXOUT	O	No connection. Leave this pin open circuit.
F1	VDD33RTC	Power	No connection. Leave this pin open circuit.
E1	VSS33RTC	Power	Ground (0 V) for RTC

LCD Interface

Pin No.	Function Name	I/O	TFT Mode	LCD STN monochr.	LCD STN monochr. (double)	LCD STN color	LCD STN color (bias)
V3	LCDD[17]	O	RED5				
U4	LCDD[16]	O	RED4				
V4	LCDD[15]	O	RED3				
T5	LCDD[14]	O	RED2				
U5	LCDD[13]	O	RED1				
V5	LCDD[12]	O	(RED0)				
R6	LCDD[11]	O	GREEN5				
T6	LCDD[10]	O	GREEN4				
U6	LCDD[9]	O	GREEN3				
V6	LCDD[8]	O	GREEN2				
R7	LCDD[7]	O	GREEN1		DATAHIGH3	DATA7	DATA7
T7	LCDD[6]	O	GREEN0		DATAHIGH2	DATA6	DATA6
U7	LCDD[5]	O	BLUE5		DATAHIGH1	DATA5	DATA5
V7	LCDD[4]	O	BLUE4		DATAHIGH0	DATA4	DATA4
R8	LCDD[3]	O	BLUE3	DATA3	DATALOW3	DATA3	DATA3
T8	LCDD[2]	O	BLUE2	DATA2	DATALOW2	DATA2	DATA2
U8	LCDD[1]	O	BLUE1	DATA1	DATALOW1	DATA1	DATA1
V8	LCDD[0]	O	(BLUE0)	DATA0	DATALOW0	DATA0	DATA0
T10	LCDCCLK	O	Byte clock	CL2	CL2	CL2	CL2
V9	LCDCCTRL[3]	O	Display off	Display off	Display off	Display off	Display off
U9	LCDCCTRL[2]	O	Vsync	FLM	FLM	FLM	FLM
T9	LCDCCTRL[1]	O	HSync	CL1	CL1	CL1	CL1
R9	LCDCCTRL[0]	O	DVALID			M/Bias	

SSM Interface

Pin No.	Function Name	I/O	Detail of Function
D12	SSMD[7:0]	I/O	Data lines.
C12			
B12			
A12			
D11			
C11			
B11			
A11			
C10	SSMCLK	O	Clock output.
A13	SSMCMD	O	Command output.
D10	SSMCP	I	Card power input (high = off).
D9	SSMWP	I	Write protect input (low = protect).

External PLL Pins

Pin No.	Function Name	I/O	Detail of Function
J2	VCO[1:0]	I	External oscillator inputs, typically coming from an external VCO. Together with the external loop-filter and the internal clock dividers, each PDOUT/VCO pair can form a complete PLL.
K2			
J1	PDOUT[1:0]	O	Phase discriminator outputs. These signals are charge-pump type outputs. Each of them can be used to feed the loop-filter of a PLL structure.
K1			

Global Pins

Pin No.	Function Name	I/O	Detail of Function
D13	NRESET	I	Reset (active low). When asserted, the chip is placed in the reset state and the peripheral pins are configured as inputs. After deassertion of NRESET, the chip is clocked by XTALI and starts booting from the port configured by the FCLE, FALE pins. The NRESET signal must be asserted after power-up.
K3	XTALI	I	Oscillator circuit input. Internal system clock will be derived from XTALI (internal clock multiplier).
J3	XTALO	O	Oscillator circuit output.
C7	RREF	I	Reference current. Connect a 3.0 k-ohms $\pm 1\%$ resistor to GND.
B10	TEST1	I	Reserved. Connect to VDD for normal operation.
A10	HIGHZ	I	Reserved. Connect to VDD for normal operation.
E4	n.c.	-	Pins must be left unconnected (18x).
F4			
G4			
H4			
J4			
V1			
A4			
A5			
B4			
B5			
C8			
C9			

JTAG Interface

Pin No.	Function Name	I/O	Detail of Function
B15	TMS	I	JTAG mode select.
C14	TCK	I	JTAG clock.
A16	TDI	I	JTAG serial data input.
A15	TDO	O	JTAG serial data output.

Power Supply Pins

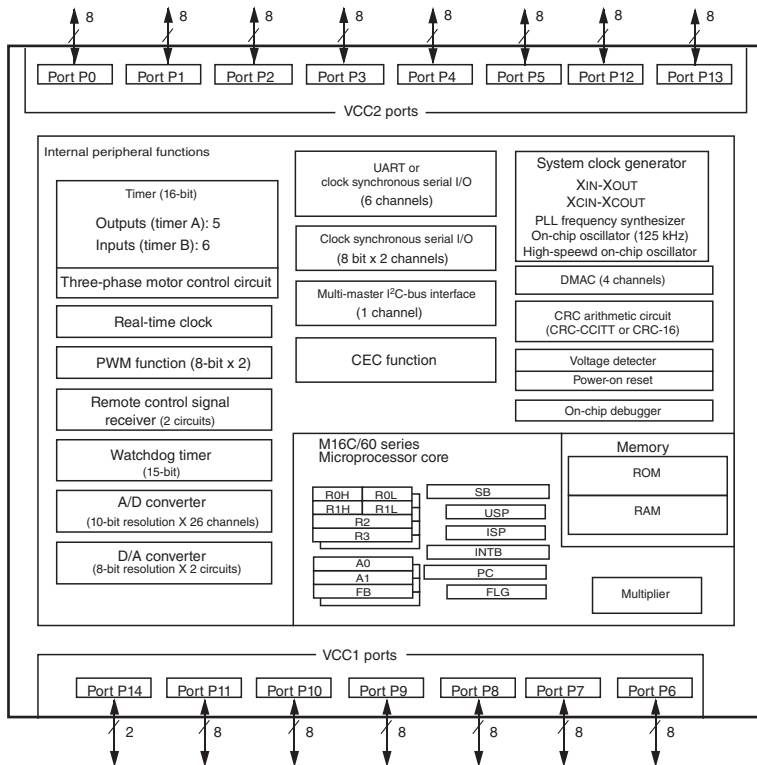
Pin No.	Function Name	Detail of Function	Pin No.	Function Name	Detail of Function
A6	VDD33	I/O power supply (+3.3 V).	K13	VSS	Ground (0 V).
E8			L6		
E9			L7		
E12			L8		
E13			L9		
F5			L10		
G5			L11		
H14			L12		
J14			L13		
K5			M6		
L5			M7		
M14			M8		
N14			M9		
P6			M10		
P7			M11		
P10			M12		
P11			M13		
D7			N6		
F6			N7		
F7			N8		
F8	N9				
F9	N10				
F10	N11				
F11	N12				
F12	N13				
F13	B6				
G6	C6				
G7	R10	VPP			
G8	A2	VDD33USB	Power supply (+3.3 V) for USB interface. Ground (0 V).		
G9	B2				
G10	A3	VSS33USB	Ground (0 V).		
G11	B3				
G12	F3	VDD33PLL	Power supply (+3.3V) for PLL.		
G13	G3	VSS33PLL	Ground (0 V).		
H6	VSS	Ground (0 V).	E6	VDD12	Power supply (+1.2V).
H7			E7		
H8			E10		
H9			E11		
H10			F14		
H11			G14		
H12			H5		
H13			J5		
J6			K14		
J7			L14		
J8			M5		
J9			N5		
J10			P8		
J11			P9		
J12	P12				
J13	P13				
K6	D8				
K7	D1	VDD12USB	Power supply (+1.2V) for USB interface.		
K8	C1	VSS12USB	Ground (0 V).		
K9	H3	VDD12PLL	Power supply (+1.2V) for PLL.		
K10	H2	VSS12PLL	Ground (0 V).		
K11	G1	VDD12DCO	Power supply (+1.2V) for DCO.		
K12	H1	VSS12DCO	Ground (0 V).		

RX-V475/HTR-4066/
RX-V500D

IC225: R5F3651TNFC (DIGITAL P.C.B.)

Microprocessor

* No replacement part available. / サービス部品供給なし



P1_0	103	102	P1_1	104	101	SCL6	105	100	SDA6	106	99	P1_4	107	98	N_INT3	108	97	P1_6	109	96	P1_7	110	95	P2_0	111	94	P2_1	112	93	P2_2	113	92	P2_3	114	91	N_INT6	115	90	N_INT7	116	89	P2_6	117	88	P2_7	118	87	VSS	119	86	P3_0	120	85	VCC2	121	84	P12_0	122	83	P12_1	123	82	P12_2	124	81	P12_3	125	80	P12_4	126	79	P3_1	127	78	P3_2	128	77	P3_3	129	76	P3_4	130	75	P3_5	131	74	P3_6	132	73	P3_7	133	72	P4_0	134	71	P4_1	135	70	P4_2	136	69	P4_3	137	68	P4_4	138	67	CLK7	139	66	RXD7	140	65	TXD7	141	64	P12_5	142	63	P12_6	143	62	P12_7	144	61	P5_0	145	60	P5_1	146	59	P5_2	147	58	P5_3	148	57	P13_0	149	56	P13_1	150	55	P13_2	151	54	P13_3	152	53	P5_4	153	52	P5_5	154	51	P5_6	155	50	P5_7	156	49	P13_4	157	48	P13_5	158	47	P13_6	159	46	P13_7	160	45	P6_0	161	44	P6_1	162	43	SCL0	163	42	SDA0	164	41	P6_4	165	40	CLK1	166	39	VSS
------	-----	-----	------	-----	-----	------	-----	-----	------	-----	----	------	-----	----	--------	-----	----	------	-----	----	------	-----	----	------	-----	----	------	-----	----	------	-----	----	------	-----	----	--------	-----	----	--------	-----	----	------	-----	----	------	-----	----	-----	-----	----	------	-----	----	------	-----	----	-------	-----	----	-------	-----	----	-------	-----	----	-------	-----	----	-------	-----	----	------	-----	----	------	-----	----	------	-----	----	------	-----	----	------	-----	----	------	-----	----	------	-----	----	------	-----	----	------	-----	----	------	-----	----	------	-----	----	------	-----	----	------	-----	----	------	-----	----	------	-----	----	-------	-----	----	-------	-----	----	-------	-----	----	------	-----	----	------	-----	----	------	-----	----	------	-----	----	-------	-----	----	-------	-----	----	-------	-----	----	-------	-----	----	------	-----	----	------	-----	----	------	-----	----	------	-----	----	-------	-----	----	-------	-----	----	-------	-----	----	-------	-----	----	------	-----	----	------	-----	----	------	-----	----	------	-----	----	------	-----	----	------	-----	----	-----

RX-V475/HTR-4066/
RX-V500D

Pin No.	Port Name	Function Name (P.C.B.)	I/O				Detail of Function
			FULL ON	PPWER OFF	MCU sleep	AC OFF	
1	VREF	VREF	MCU	MCU	MCU	MCU	AD standard voltage
2	AVCC	AVCC	MCU	MCU	MCU	MCU	Microprocessor power supply
3	SIN4	EEP_MISO	SI	SI	O	SI	EEPROM / Expansion Flash synchronization data input
4	SOUT4	EX_MOSI	SO	SO	O	SO	FL driver / EEPROM / Expansion Flash synchronization data input
5	CLK4	EX_SCK	SO	SO	O	SO	FL driver / EEPROM / Expansion Flash synchronous clock output
6	P9_4	+5EX_PON	O	O	O	O	
7	DA0	AMP_LMT	DA	O	O	O	Limiter control output
8	SOUT3	DSP_MOSI	SO	O	O	O	DSP, DIR, DAC synchronization data output
9	SIN3	DSP_MISO	SI	I-	I-	I-	DSP, DIR, DAC synchronization data input
10	CLK3	DSP_SCK	SO	O	O	O	DSP, DIR, DAC synchronous clock output
11	P14_1	HDMI_N_RST	O	O	O	O	HDMI RxTx reset
12	P14_0	TUN_N_RST	O	O	O	O	Tuner reset
13	BYTE	BYTE	MCU	MCU	MCU	MCU	Data bus width reshuffling input / Low: Single chip mode (16bit)
14	CNVSS	E8A_CNVSS	MCU	MCU	MCU	MCU	Processor mode select / Low: Single chip mode
15	P8_7	(no use)	O	O	O	O	(RX-V475/HTR-4066)
		DAB_PON	O	O	O	O	(RX-V500D)
16	P8_6	DIAG_FCT	O	O	O	O	Diag OK: Output High / Diag NG: Output Low (default)
17	/RESET	CPU_N_RST	MCU	MCU	MCU	MCU	Reset input
18	XOUT	XOUT	MCU	MCU	MCU	MCU	Oscillation circuit output
19	VSS	DGND	MCU	MCU	MCU	MCU	Microprocessor ground
20	XIN	XIN	MCU	MCU	MCU	MCU	Oscillation circuit input
21	VCC1	+3.3M	MCU	MCU	MCU	MCU	Microprocessor power supply
22	CEC	HDMI_CEC	IO	IO	I+	I+	Microprocessor CEC control
23	N_INT2	DSP_N_INT	IRQ	IRQ	IRQ	O	Interrupt input from DSP
24	N_INT1	HDMI_MUTE	IRQ	I-	I-	I-	HDMI MUTE input / H: Mute
25	N_INT0	HDMI_N_INT	IRQ	I-	I-	I-	Interrupt input from HDMI RxTx
26	TA4IN	DIR_N_INT	TMR	I	O	I	DIR interrupt input
27	P8_0	(no use)	O	O	O	O	
28	P7_7	DIR_N_RST	O	O	O	O	DIR reset
29	P7_6	DIR_N_CS	O	O	O	O	DIR chip select
30	TA2IN	TUN_N_INT	TMR	O	O	O	Tuner GPIO2 input
31	P7_4	NCPU_SPI_REQ	I	I	I	I	NET SPI request
32	TA1IN	ACPWR_DET	TMR	I+	I+	I+	AC power detection / L: Power down
33	P7_2	NCPU_SPI_RDY	I	I	I	I	NET SPI ready
34	SCL2	HDMI_SCL	SO	O	O	O	Video decoder, A-video switch I2C SCL output
35	SDA2	HDMI_SDA	SI	O	O	O	Video decoder, A-video switch I2C SDA input and output
36	TXD1	E8A_TXD	SO	SO	I+	I+	
37	VCC1	+3.3M	MCU	MCU	MCU	MCU	Microprocessor power supply
38	RXD1	E8A_RXD	SI	SI	I+	I+	
39	VSS	DGND	MCU	MCU	MCU	MCU	Microprocessor ground
40	CLK1	E8A_SCLK	SI	SI	I+	I+	
41	P6_4	E8A_BUSY	I-	I-	I-	I-	
42	SDA0	TUN_SDA	SI	O	O	O	Tuner I2C, Apple co-processor synchronization data input and output
43	SCL0	TUN_SCL	SO	O	O	O	Tuner I2C, Apple co-processor synchronous clock output
44	P6_1	(no use)	O	O	O	O	
45	P6_0	(no use)	O	O	O	O	
46	P13_7	VOL_MOSI	O	O	O	O	Electronic volume flip-flop synchronization data output
47	P13_6	VOL_SCK	O	O	O	O	Electronic volume flip-flop synchronous clock output
48	P13_5	I_PRT	I-	I-	I-	I-	Overcurrent protection detection
49	P13_4	TRANS_RY	O	O	O	O	
50	P5_7	DCDC_PON	O	O	O	O	
51	P5_6	MT_N_SW	O	O	O	O	Mute control (Subwoofer)
52	P5_5	E8A_N_EPM	I-	I-	I-	I-	

Pin No.	Port Name	Function Name (P.C.B.)	I/O				Detail of Function
			FULL ON	PPWER OFF	MCU sleep	AC OFF	
53	P5_4	HP_N_DET	I+	O	O	O	Headphone detection / L: Headphone detected
54	P13_3	HPRY	O	O	O	O	Headphone relay control
55	P13_2	SPRY_SB_BA	O	O	O	O	Speaker relay control (Surround back and Bi-Amp)
56	P13_1	(no use)					
57	P13_0	SPRY_5CH	O	O	O	O	Speaker relay control (Front / Center / Surround) / H: Relay ON
58	P5_3	MT_N_SB	O	O	O	O	Mute control (Surround back)
59	P5_2	(no use)	O	O	O	O	
60	P5_1	MT_N_5CH	O	O	O	O	Mute control (Front / Center / Surround)
61	P5_0	E8A_N_CE	I+	I+	I+	I+	
62	P12_7	OSDFS_N_CS	O	O	O	O	Chip select control of OSD Flash from microprocessor
63	P12_6	USB_VBUS_PON	O	O	O	O	
64	P12_5	PRY	O	O	O	O	Power relay control / H: On
65	TXD7	FPGA_MOSI	SO	SO	O	SO	FPGA, OSD Flash synchronization data output
66	RXD7	FPGA_MISO	SI	SI	O	O	FPGA, OSD Flash synchronization data input
67	CLK7	FPGA_SCK	SO	SO	O	SO	FPGA, OSD Flash synchronous clock output
68	P4_4	REM_OUT	O	O	O	O	Remote control code (spare)
69	P4_3	(no use)	I+	I+	I+	I+	
70	P4_2	(no use)	I+	I+	I+	I+	
71	P4_1	N_FCT	I	I	I	I	FCT detection / H: Product mode, L: FCT mode
72	P4_0	NDAC_N_MT	O	O	O	O	Mute control
73	P3_7		O	O	O	O	L: ROHM/FPGA SPI / H: Spalta OSD SPI
74	P3_6	VOL_RB	I+	I+	I+	I+	Volume rotary encoder B
75	P3_5	VOL_RA	I+	I+	I+	I+	Volume rotary encoder A
76	P3_4	FLD_N_CS	O	O	O	O	FL driver chip select
77	P3_3	FLD_N_RST	O	O	O	O	FL driver reset
78	P3_2	MIC_N_DET	I-	I-	I-	I-	MIC detection / L: MIC detected
79	P3_1	STBY_LED	O	O	O	O	Standby through LED / H: LED lighting
80	P12_4	NCPU_PON	O	O	O	O	H: Power supply ON
81	P12_3	DSP_PON	O				H: Power supply ON
82	P12_2	+3.3S_PON	O				H: Power supply ON
83	P12_1	HDMI_PON	O				H: Power supply ON
84	P12_0	VID_PON	O				H: Power supply ON
85	VCC2	VCC2	MCU	MCU	MCU	MCU	Microprocessor power supply
86	P3_0	EEP_N_CS	O	O	O	O	EEPROM chip select
87	VSS	VSS	MCU	MCU	MCU	MCU	Microprocessor ground
88	P2_7	MODE	I+	I+	I+	I+	+3.3V: Normal movement / 0V: MAC address writing permission
89	P2_6						(reserved)
90	N_INT7	REM_IN	IRQ	IRQ	IRQ	I	Remote control pulse input
91	N_INT6	PSW_N_DET	IRQ	IRQ	IRQ	I	Power system switch (Power, Scene) detection / L: Standby key ON
92	P2_3	DSP_N_RST	O	O	O	O	DSP reset
93	P2_2	DSP_N_RDY	I+	I+	O	I+	DSP Ready input
94	P2_1	DSP_N_CS	O	O	O	O	DSP chip select
95	P2_0	DSP_FMT	O	O	O	O	DSP full mute output / H: Mute
96	P1_7	PWM_PDN (reserved)	O	O	O	O	Digital amplifier power down control
97	P1_6	NCPU_VBUSDRV	I-	I-	I-	I-	USB power supply output requirement from NETWORK microprocessor
98	N_INT3	MHL_WAKE					(reserved)
99	P1_4	PWM_N_RST (reserved)	O	O	O	O	Digital amplifier reset
100	TXD6	NCPU_SPI_MOSI	SO	O	O	O	NET SPI data output
101	RXD6	NCPU_SPI_MISO	SI	O	O	O	NET SPI data input
102	CLK6	NCPU_SPI_SCK					NET SPI clock output
103	P1_0	NCPU_SPI_N_CS	O	O	O	O	NET SPI chip select

RX-V475/HTR-4066/
RX-V500D

Pin No.	Port Name	Function Name (P.C.B.)	I/O				Detail of Function
			FULL ON	PPWER OFF	MCU sleep	AC OFF	
104	P0_7	DAC_N_CS	O	O	O	O	DAC chip select
105	P0_6	NCPU_AMUTE	I	O	O	O	NET audio mute demand
106	AN0_5	PS3_PRT	AD				PS protection detection 3
107	AN0_4	PS2_PRT	AD				PS protection detection 2
108	AN0_3	L3_DET	AD	I	I	I	D terminal L3 detection
109	AN0_2	USB_VBUS_PRT	AD	I	I	I	USB iPad power supply feedback
110	AN0_1	THM3	AD	I	I	I	Temperature detection 3
111	AN0_0	DEST	AD	I	I	I	Model distinction
112	P11_7	NCPU_N_RST	O	O	O	O	
113	P11_6	DIR_SDO	I	I	O	I	DIR_SDO input for CDDA writing
114	P11_5	DIR_WCK	I	I	O	I	DIR_WCK input for CDDA writing
115	P11_4	TUNI2C_ON	O	O	O	O	(reserved) I2C switching to Tuner
116	P11_3	VIDI2C_ON	O	O	O	O	Vdec and A-video selector I2C line control
117	P11_2	MHL_CD_IN5	I	I	I	I	MHL cable detection
118	P11_1	MHL_VBUS_N_PRT	I	I	I	I	MHL VBUS overcurrent detection
119	P11_0	MHL_VBUS_PON	O	O	O	O	MHL VBUS control
120	AN7	DC_PRT	AD	I	I	I	Power amplifier DC detection
121	AN6	AMP_OLV	AD	I	I	I	Power amplifier output level detection
122	AN5	THM1	AD	I	I	I	Temperature detection 1
123	AN4	THM2	AD	I	I	I	Temperature detection 2
124	AN3	KEY2	AD	I	I	I	KEY AD value uptake 2
125	AN2	KEY1	AD	I	I	I	KEY AD value uptake 1
126	AN1	PS1_PRT	AD	I	I	I	PS protection detection 1
127	AVSS	AVSS	MCU	MCU	MCU	MCU	Microprocessor ground
128	P10_0	(no use)	O	O	O	O	AD spare

Key detection for A/D port

Key input (A/D) pull-up resistance: 10 k-ohms

	0 Ω	+ 1.0 kΩ	+ 1.0 kΩ	+ 1.5 kΩ	+ 1.5 kΩ	+ 2.2 kΩ	+ 3.3 kΩ	+ 4.7 kΩ	+ 13.2 kΩ	+ 22 kΩ	+ 33 kΩ
Detected voltage value at 125 pin	0 – 0.15 V	0.15 – 0.425 V	0.425 – 0.703 V	0.703 – 0.978 V	0.978 – 1.241 V	1.241 – 1.536 V	1.536 – 1.84 V	1.84 – 2.102 V	2.102 – 2.299 V	2.336 – 2.55 V	2.55 – 2.971 V
A/D value (3.3 V=255)	0 – 11	12 – 32	33 – 54	55 – 75	76 – 96	97 – 119	120 – 142	143 – 163	163 – 177	182 – 197	198 – 229
KEY1	RADIO (SCENE4)	NET (SCENE3)	TV (SCENE2)	BD/DVD (SCENE1)	—	—	INPUT >	INPUT <	—	⏻ (power)	⏮ TONE CONTROL

	0 Ω	+ 1.0 kΩ	+ 1.0 kΩ	+ 1.5 kΩ	+ 1.8 kΩ	+ 2.2 kΩ	+ 3.3 kΩ	+ 4.7 kΩ	+ 6.8 kΩ	+ 10 kΩ	+ 22 kΩ	+ 68 kΩ
Detected voltage value at 124 pin	0 – 0.15 V	0.15 – 0.425 V	0.425 – 0.703 V	0.703 – 0.999 V	0.999 – 1.279 V	1.279 – 1.564 V	1.564 – 1.86 V	1.86 – 2.142 V	2.142 – 2.399 V	2.399 – 2.653 V	2.653 – 2.919 V	2.916 – 3.175 V
A/D value (3.3 V=255)	0 – 11	12 – 32	33 – 54	55 – 77	78 – 99	100 – 121	122 – 144	145 – 166	167 – 186	187 – 205	206 – 226	227 – 246
KEY2	DIRECT	TUNING >>	TUNING <<	AM (RX-V475/HTR-4066) DAB (RX-V500D)	FM	PRESET >	PRESET <	MEMORY	INFO	STRAIGHT	PROGRAM >	PROGRAM <

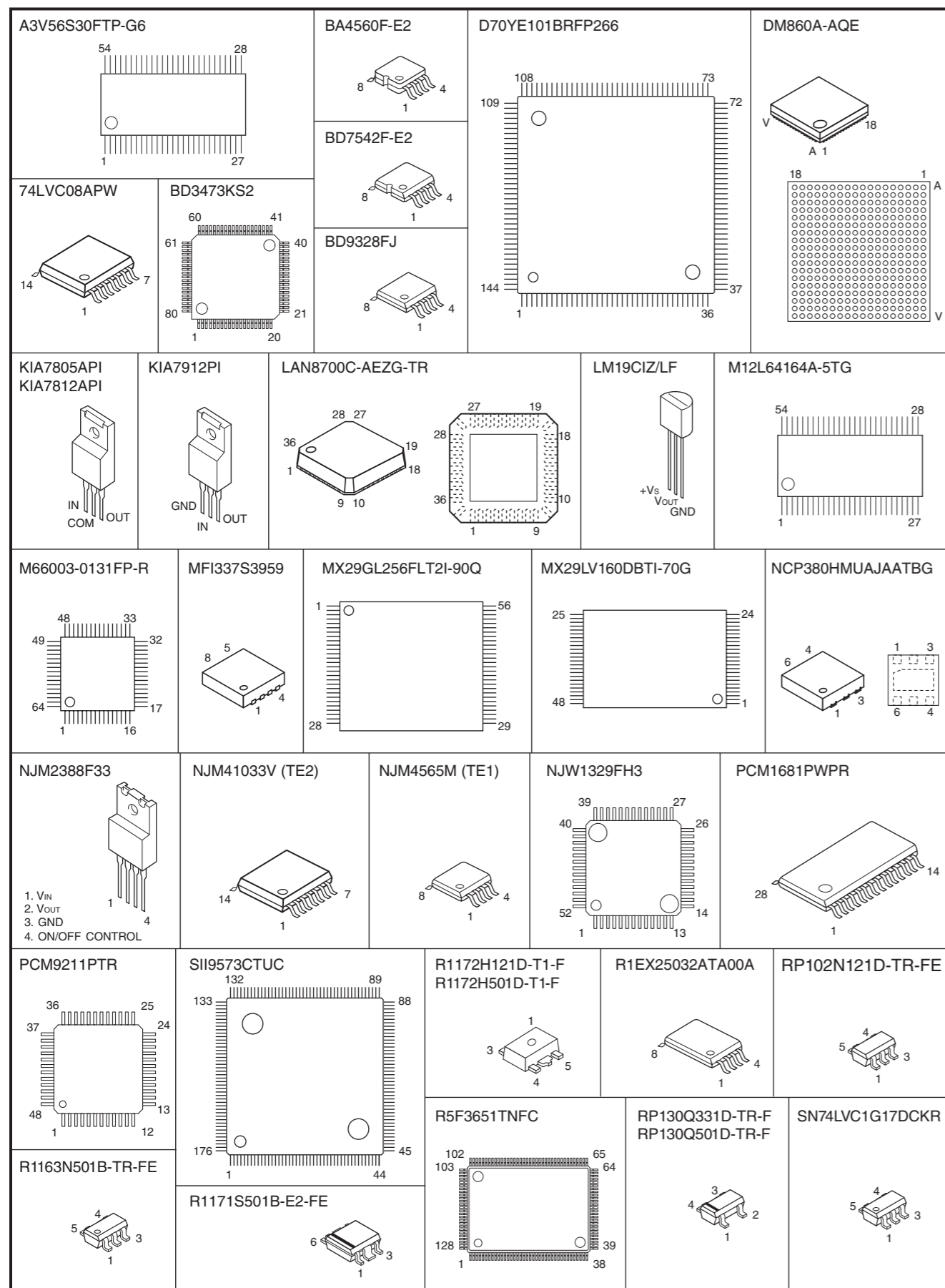
Destination detection for A/D port

Pull-up resistance: 10 k-ohms

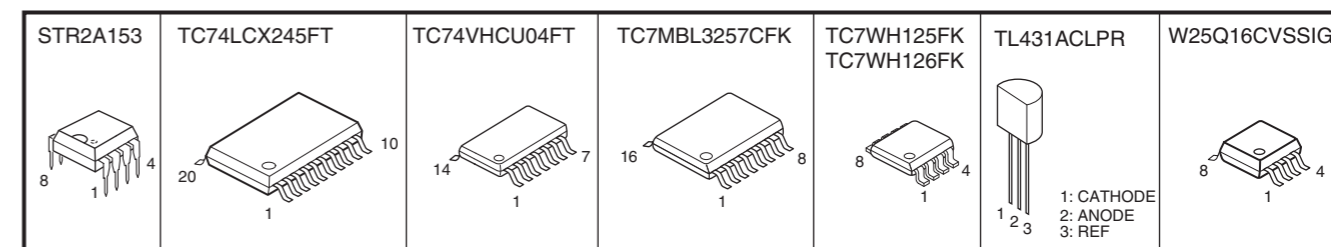
R5419 on OPERATION P.C.B.	0 Ω	1.2 kΩ	2.7 kΩ	4.7 kΩ	6.8 kΩ	10 kΩ	15 kΩ	47 kΩ	100 kΩ
Detected voltage value at 111 pin	0 – 0.162 V	0.162 – 0.517 V	0.517 – 0.872 V	0.872 – 1.193 V	1.193 – 1.492 V	1.492 – 1.816 V	1.816 – 2.2 V	2.572 – 2.869 V	2.869 – 3.163 V
A/D value	000	111	222	333	444	555	666	777	888
Destination	J	U	C	R, S	T	K	A	B, G, F	L, H

PIN CONNECTION DIAGRAMS

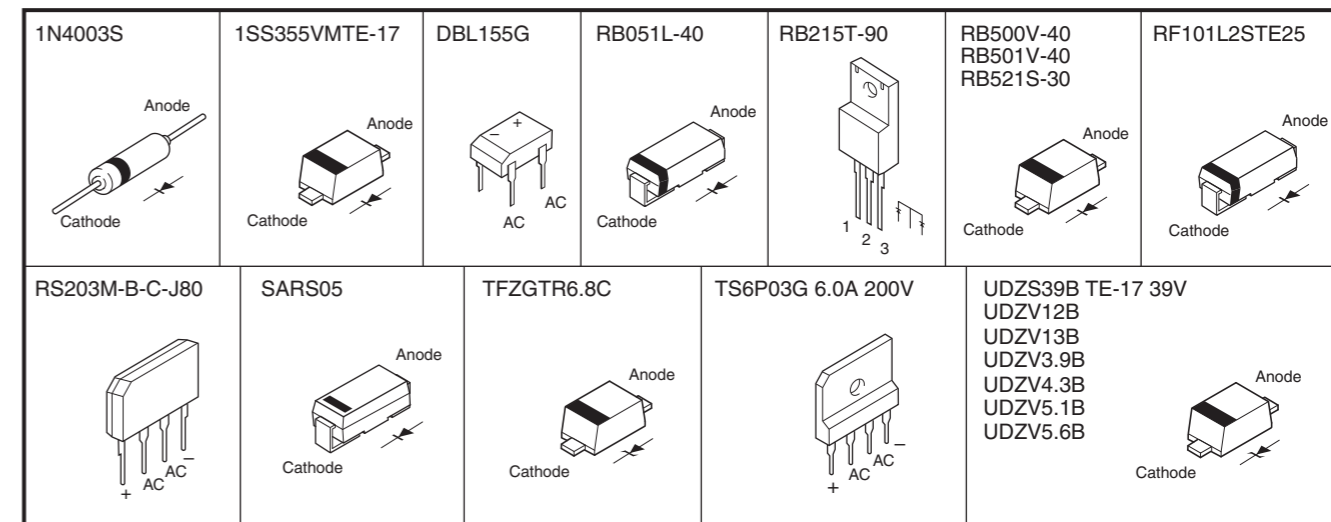
• ICs



• ICs



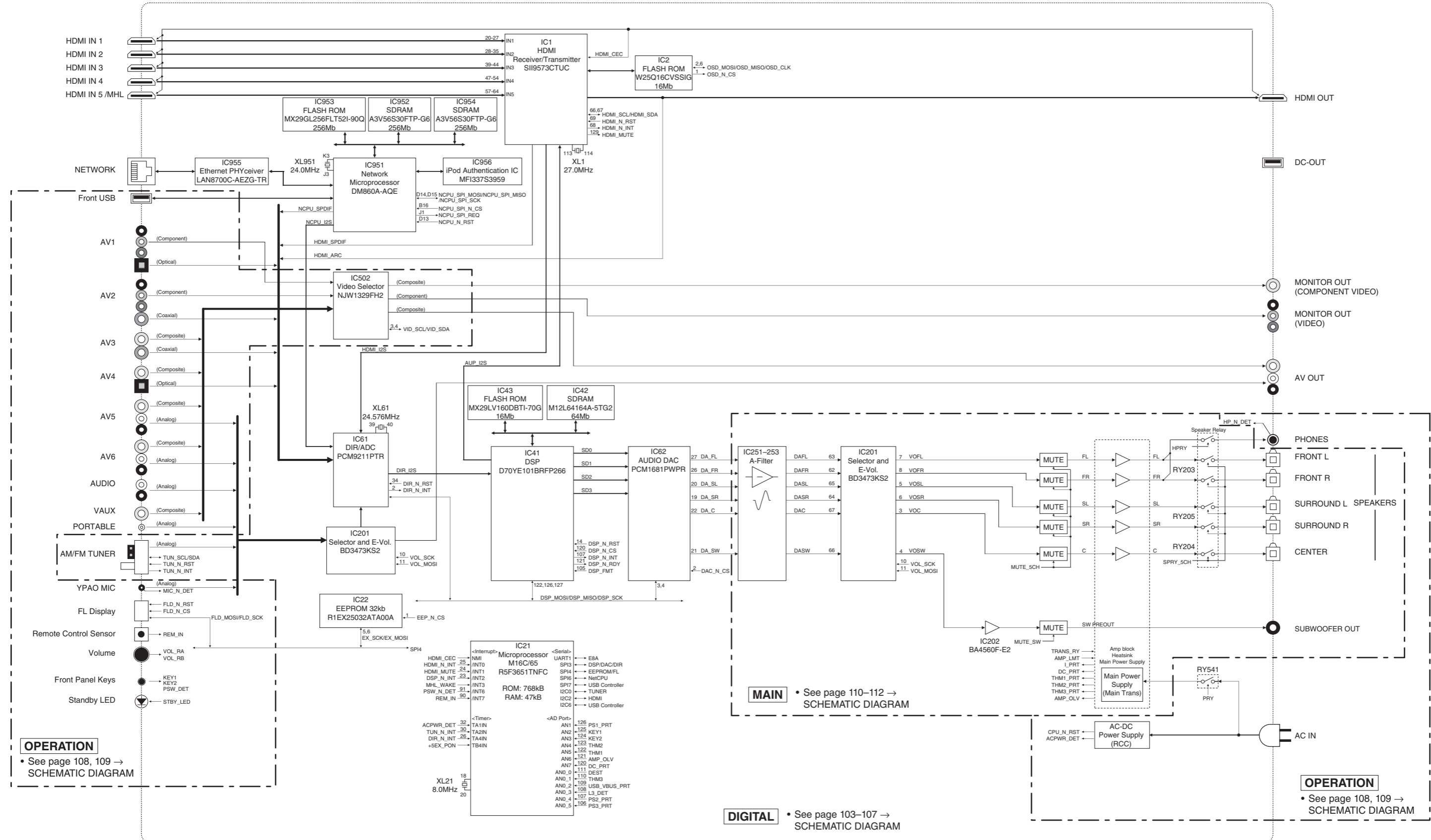
• Diodes



• Transistors

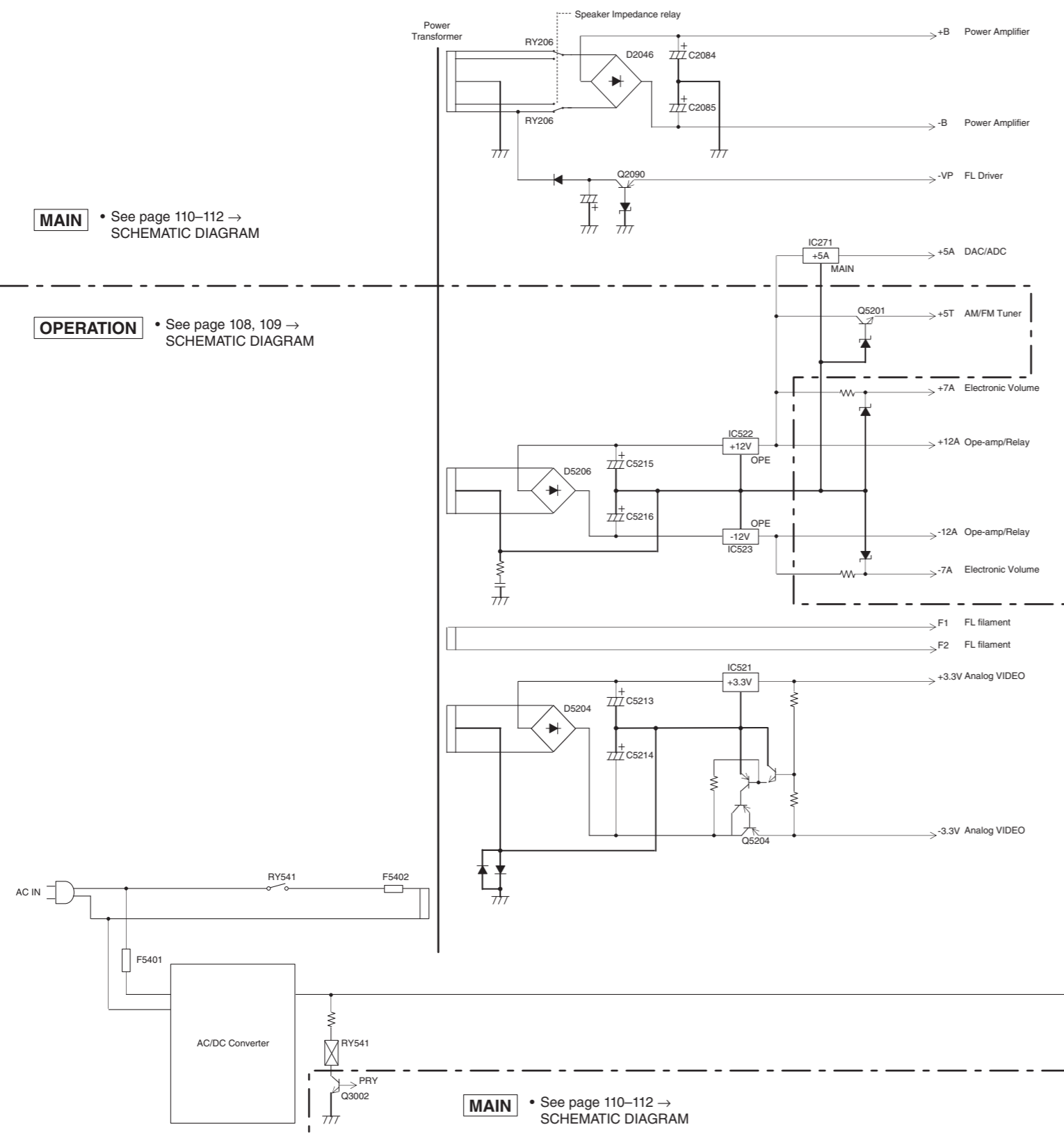


BLOCK DIAGRAMS



Power Supply Section Block Diagram

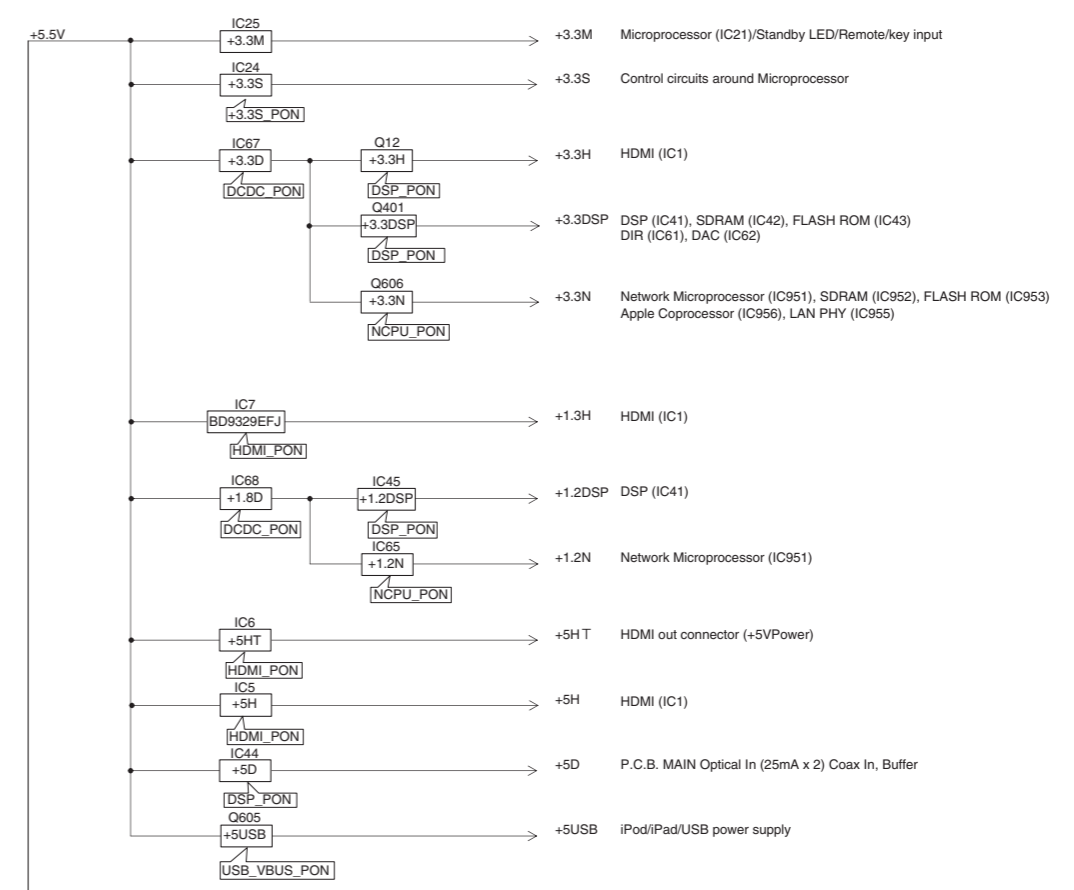
1
2
3
4
5
6
7



MAIN • See page 110–112 → SCHEMATIC DIAGRAM

OPERATION • See page 108, 109 → SCHEMATIC DIAGRAM

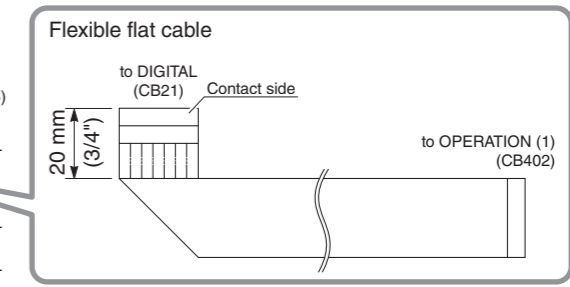
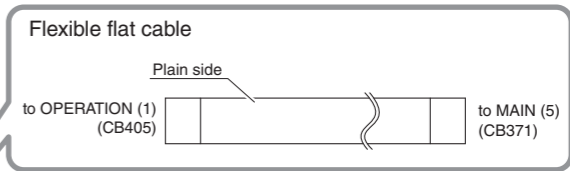
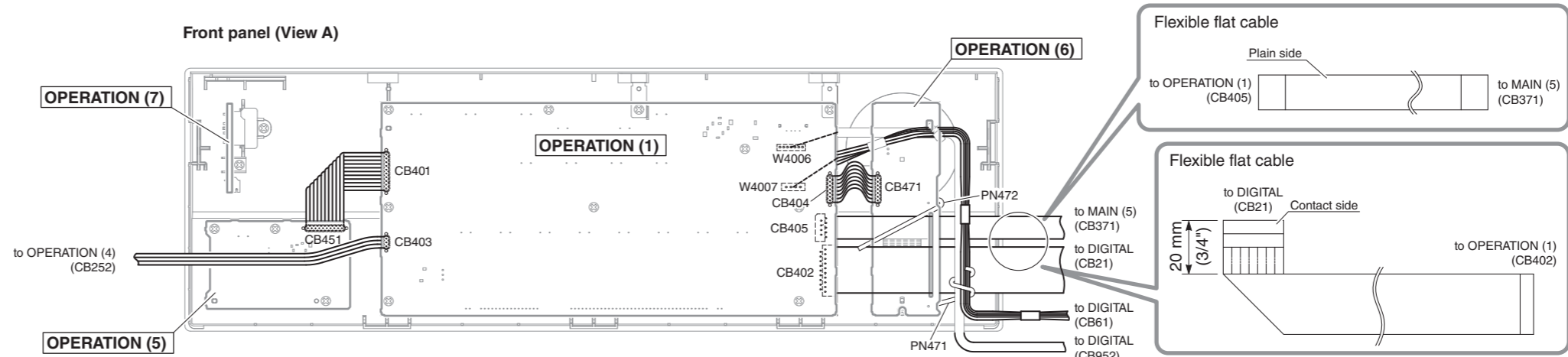
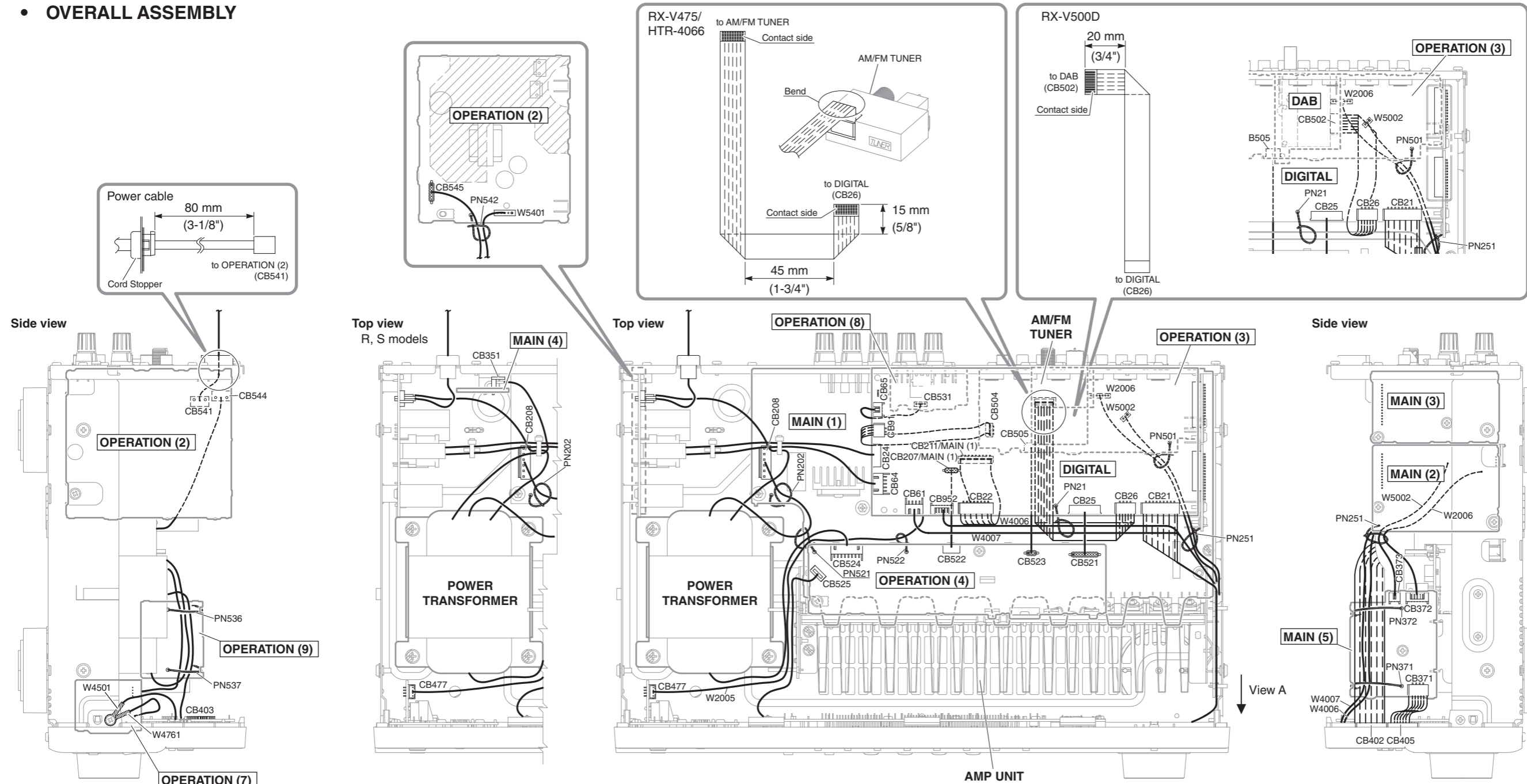
MAIN • See page 110–112 → SCHEMATIC DIAGRAM



DIGITAL • See page 103–107 → SCHEMATIC DIAGRAM

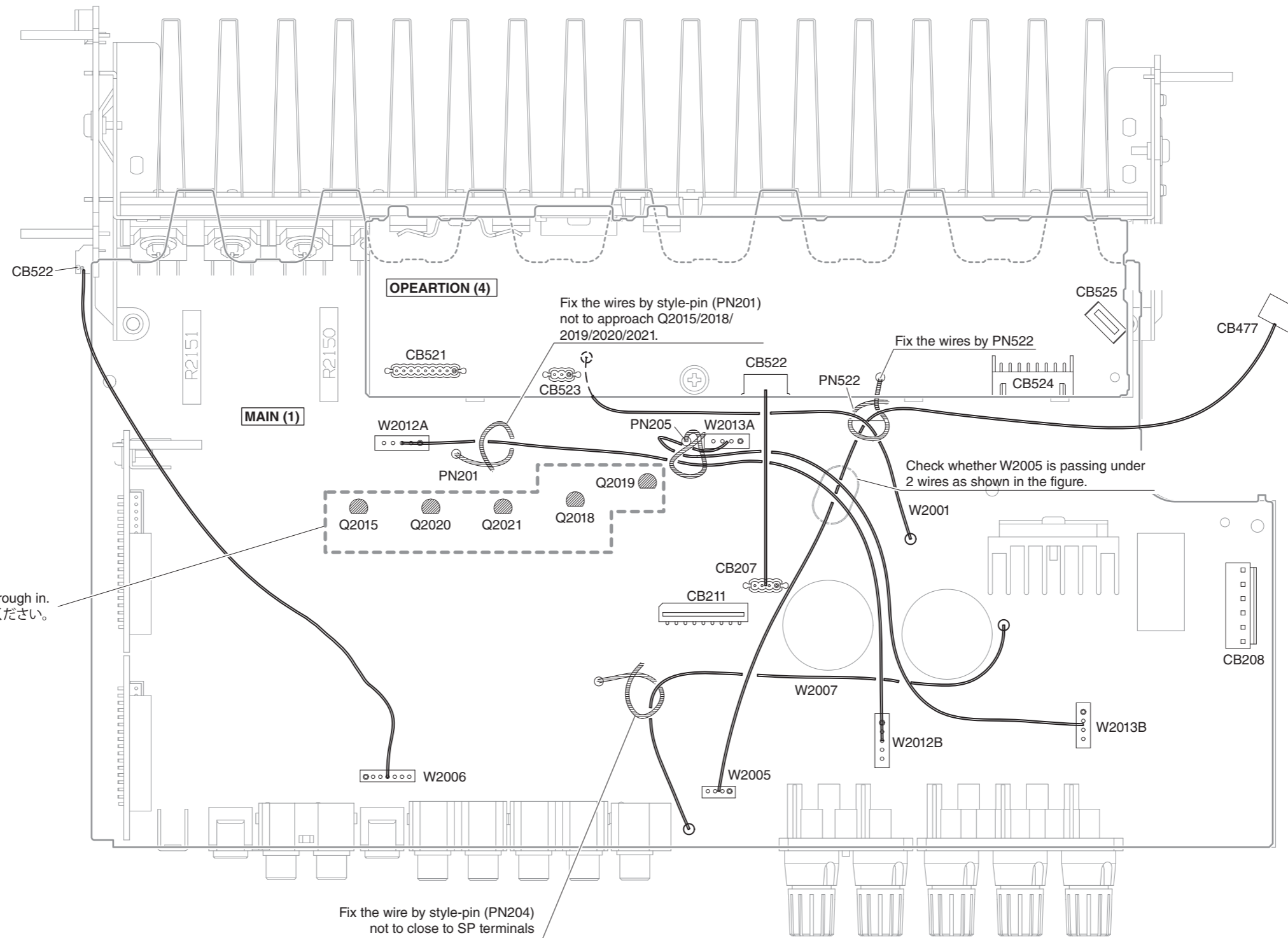
WIRING DIAGRAMS

OVERALL ASSEMBLY



• AMP UNIT

This area is not a cable through in.
このエリアにはケーブルを通さないでください。

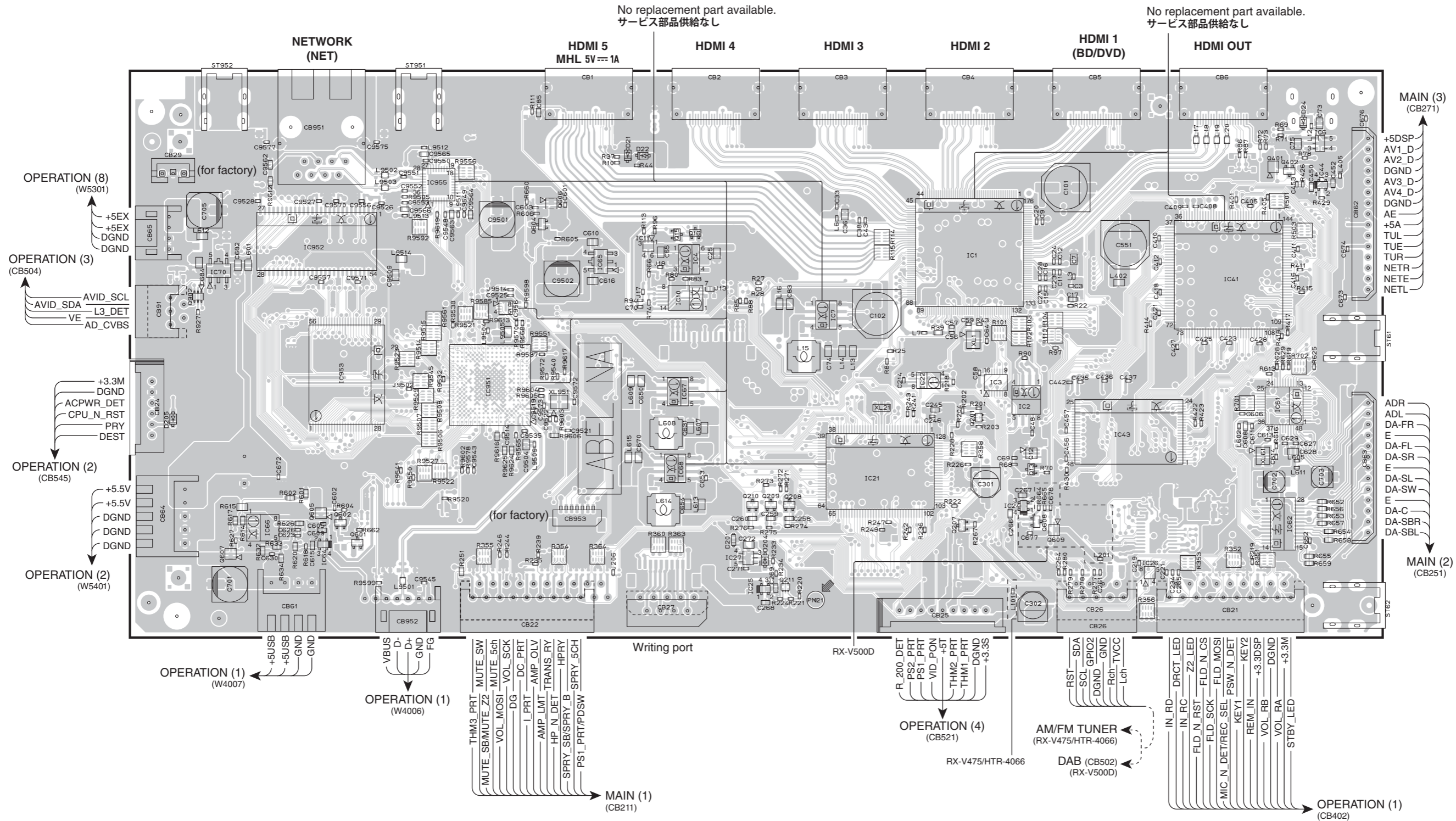


PRINTED CIRCUIT BOARDS

• Semiconductor Location

Ref no.	Location	Ref no.	Location	Ref no.	Location	Ref no.	Location	Ref no.	Location	Ref no.	Location	Ref no.	Location	Ref no.	Location	Ref no.	Location
D21	E3	D205	B4	IC6	I3	IC22	G4	IC41	H4	IC64	C5	IC70	B4	IC956	D4	Q201	G4
D22	E3	IC1	G3	IC7	F4	IC24	G5	IC43	H5	IC65	E3	IC951	D4	Q12	G5	Q207	G5
D24	I3	IC2	G4	IC10	E4	IC25	F5	IC44	I3	IC66	C5	IC952	C3	Q13	G5	Q208	F5
D201	E5	IC3	G4	IC11	E3	IC26	H5	IC61	I4	IC67	E4	IC953	C4	Q15	E3	Q209	F5
D204	F5	IC4	E3	IC21	F5	IC27	E5	IC62	I5	IC68	E5	IC955	D3	Q16	E3	Q210	F5

DIGITAL (Side A)



Q211	F5
Q401	I3
Q402	I3
Q601	C5
Q602	C5
Q604	D3
Q605	C5
Q606	D3
Q607	G5
Q608	G5
Q609	G5
Q902	B4

- +5DSP
- AV1_D
- AV2_D
- DGND
- AV3_D
- AV4_D
- DGND
- AE
- +5A
- TUL
- TUE
- TUR
- NETR
- NETE
- NETL

- ADR
- ADL
- DA-FR
- E
- DA-FL
- DA-SR
- E
- DA-SL
- DA-SW
- E
- DA-C
- DA-SBR
- DA-SBL

OPERATION (1) (W4007)

OPERATION (1) (W4006)

MAIN (1) (CB211)

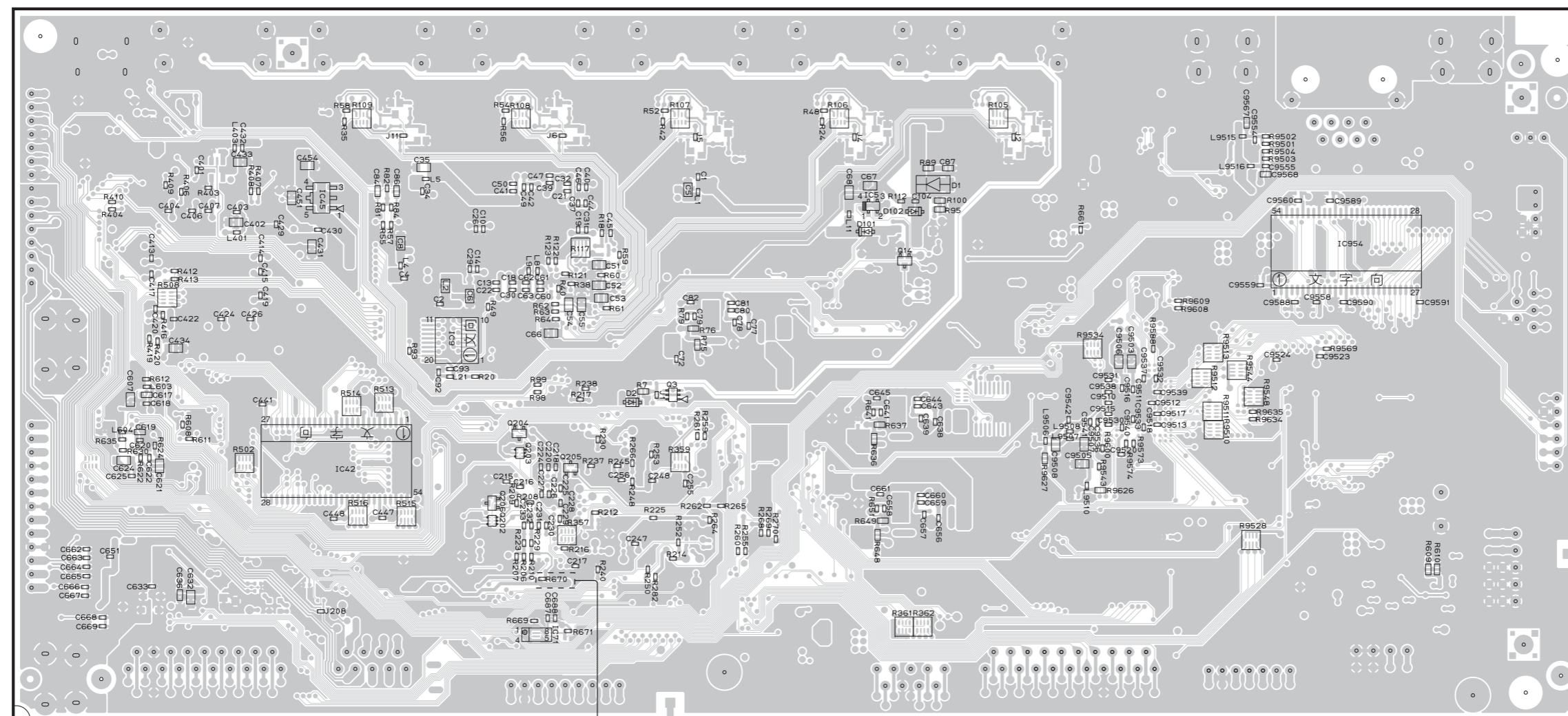
OPERATION (4) (CB521)

AM/FM TUNER (RX-V475/HTR-4066)

DAB (CB502) (RX-V500D)

OPERATION (1) (CB402)

DIGITAL (Side B)

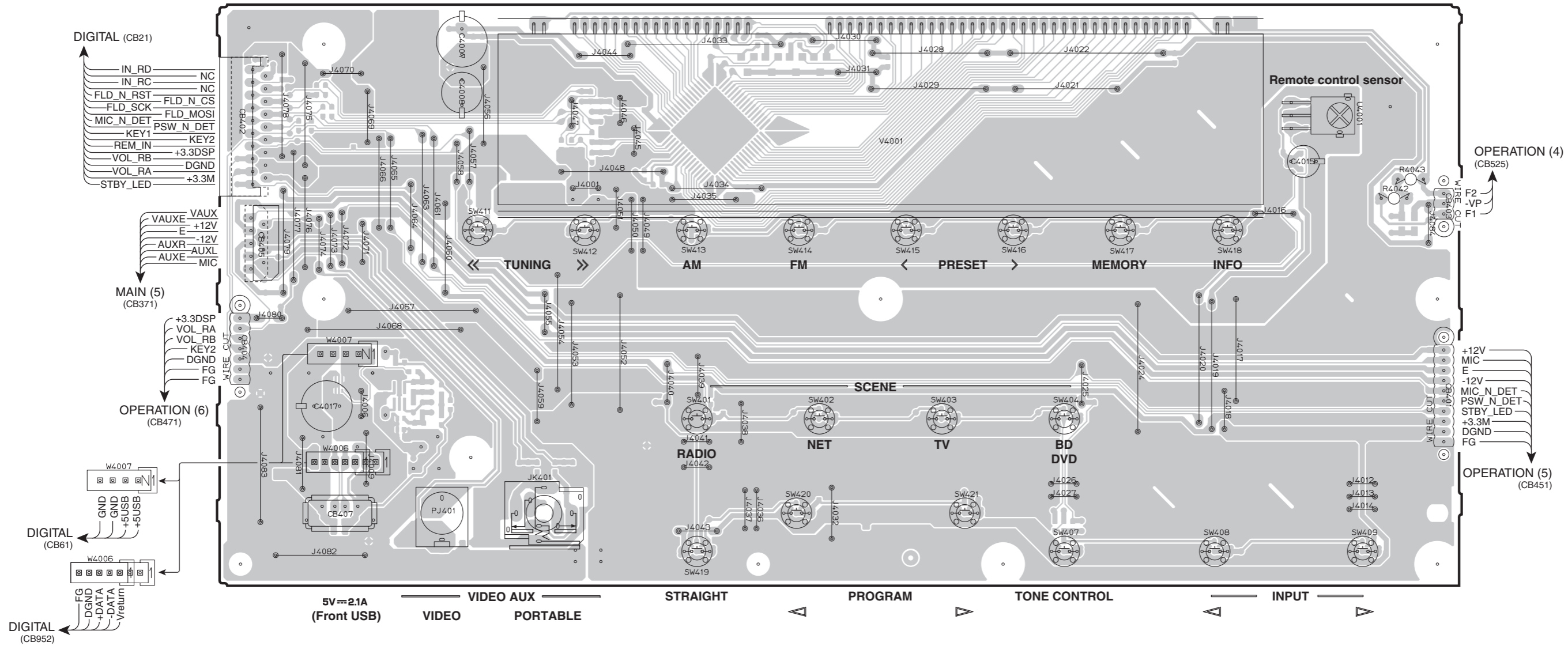


RX-V500D

• Semiconductor Location

Ref no.	Location
D1	F3
D2	D4
D101	E3
D102	F3
IC5	E3
IC9	C4
IC42	C5
IC45	C3
IC71	D5
IC954	H3
Q3	D4
Q14	E4
Q202	D5
Q203	D4
Q204	D4
Q205	D5
Q206	D5

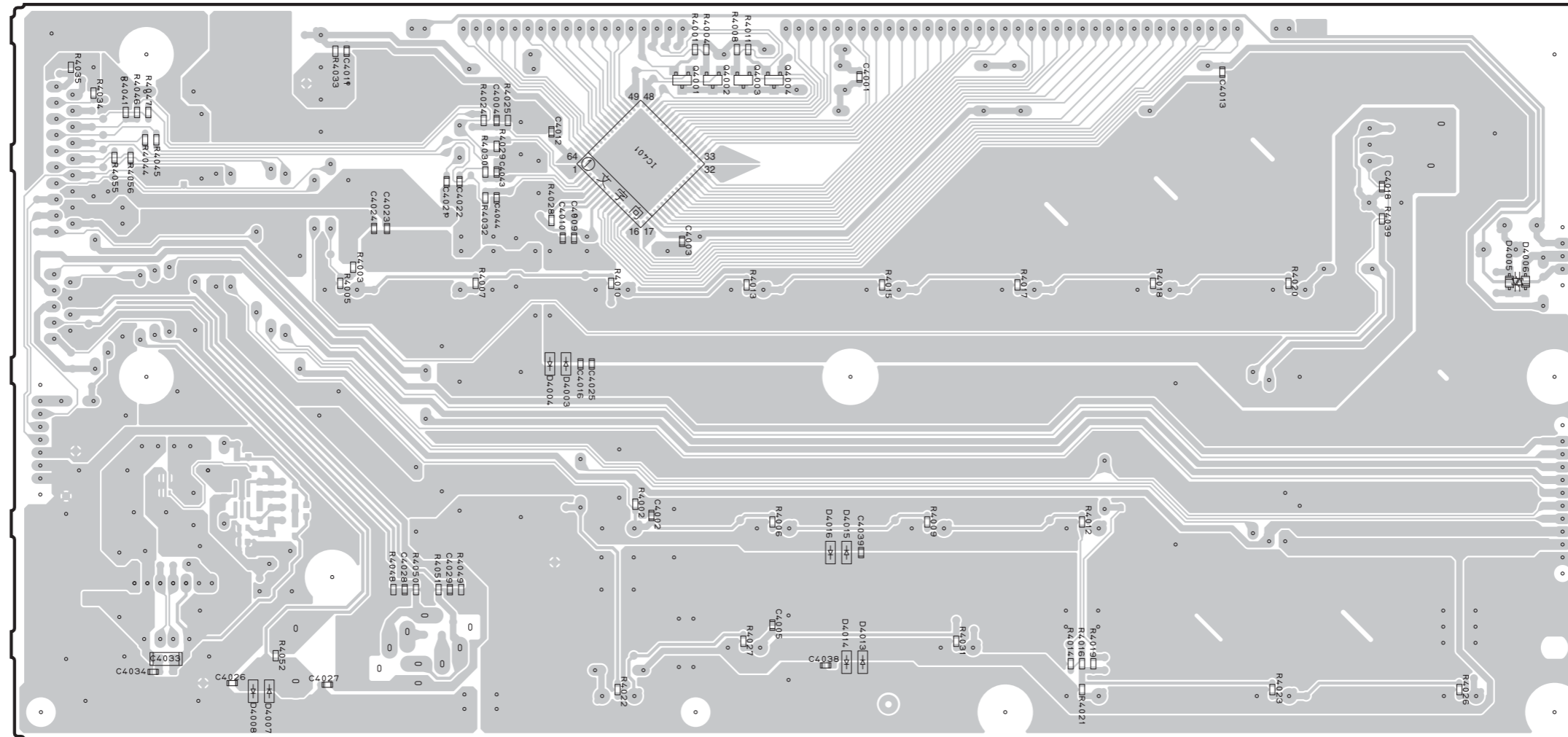
OPERATION (1) (Side A)



RX-V475/HTR-4066

RX-V500D

OPERATION (1) (Side B)

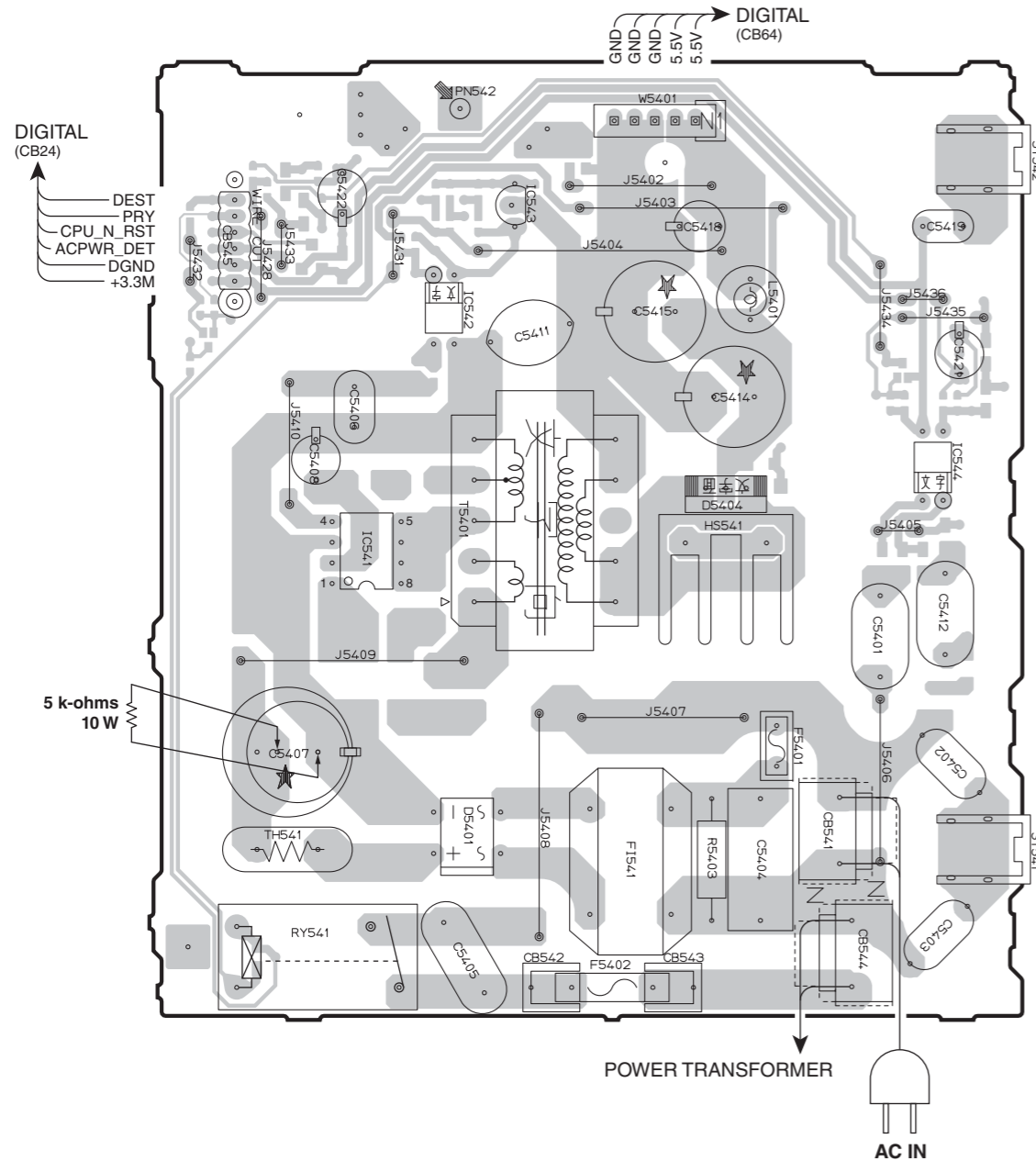


• Semiconductor Location

Ref no.	Location
D4003	D4
D4004	D4
D4005	H4
D4006	I4
D4007	C6
D4008	C6
D4013	F5
D4014	E5
D4015	E5
D4016	E5
IC401	E3
Q4001	E3
Q4002	E3
Q4003	E3
Q4004	E3

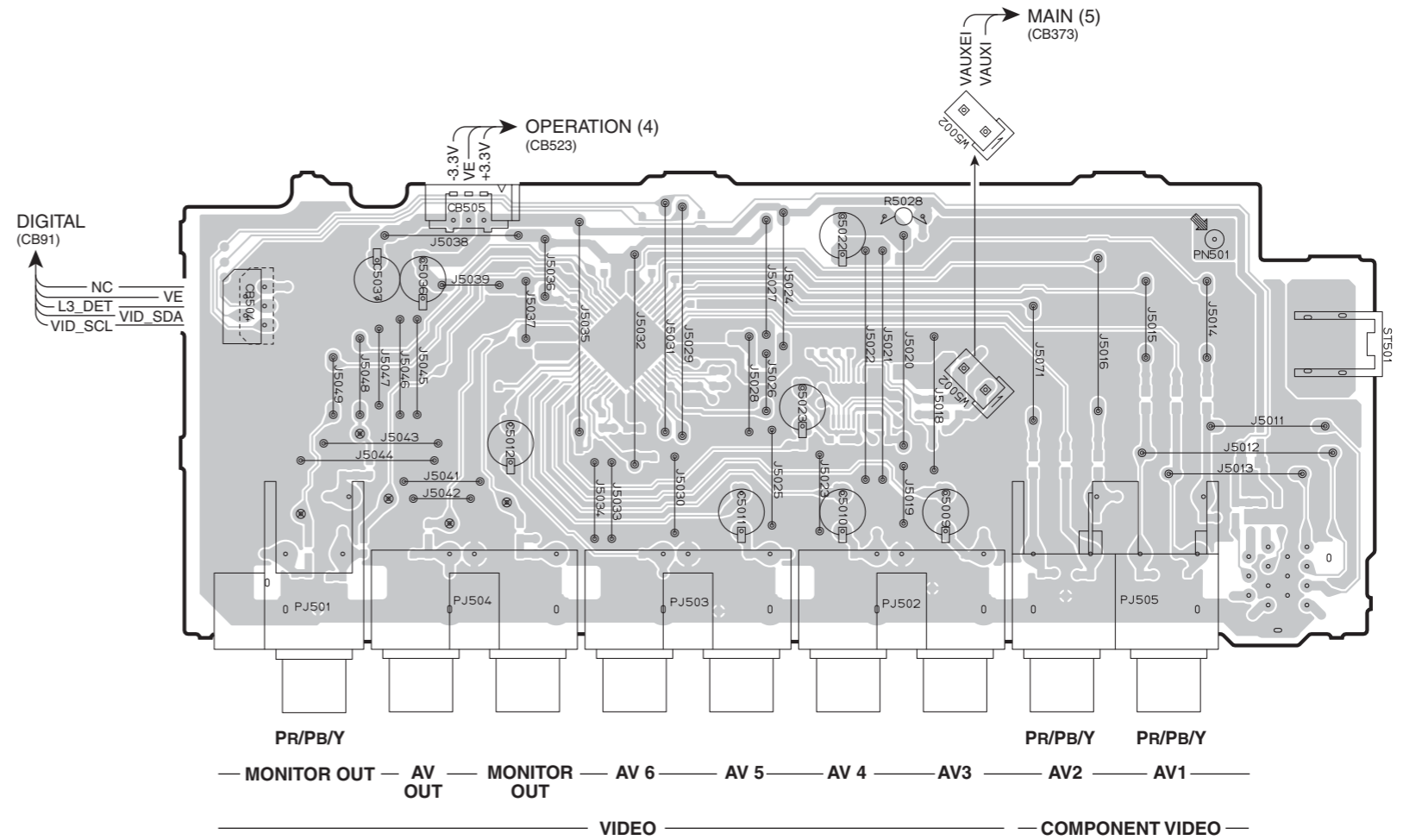
OPERATION (2) (Side A)

OPERATION (3) (Side A)



• Semiconductor Location

Ref no.	Location
D5401	C5
D5404	D4
IC541	B4
IC542	C3
IC543	C3
IC544	D4



Safety measures

- Some internal parts in this product contain high voltages and are dangerous. Be sure to take safety measures during servicing, such as wearing insulating gloves.
- Note that the capacitors indicated below are dangerous even after the power is turned off because an electric charge remains and a high voltage continues to exist there. Before starting any repair work, connect a discharging resistor (5 k-ohms/10 W) to the terminals of each capacitor indicated below to discharge electricity. The time required for discharging is about 30 seconds per each. C5407 on OPERATION (2) P.C.B.

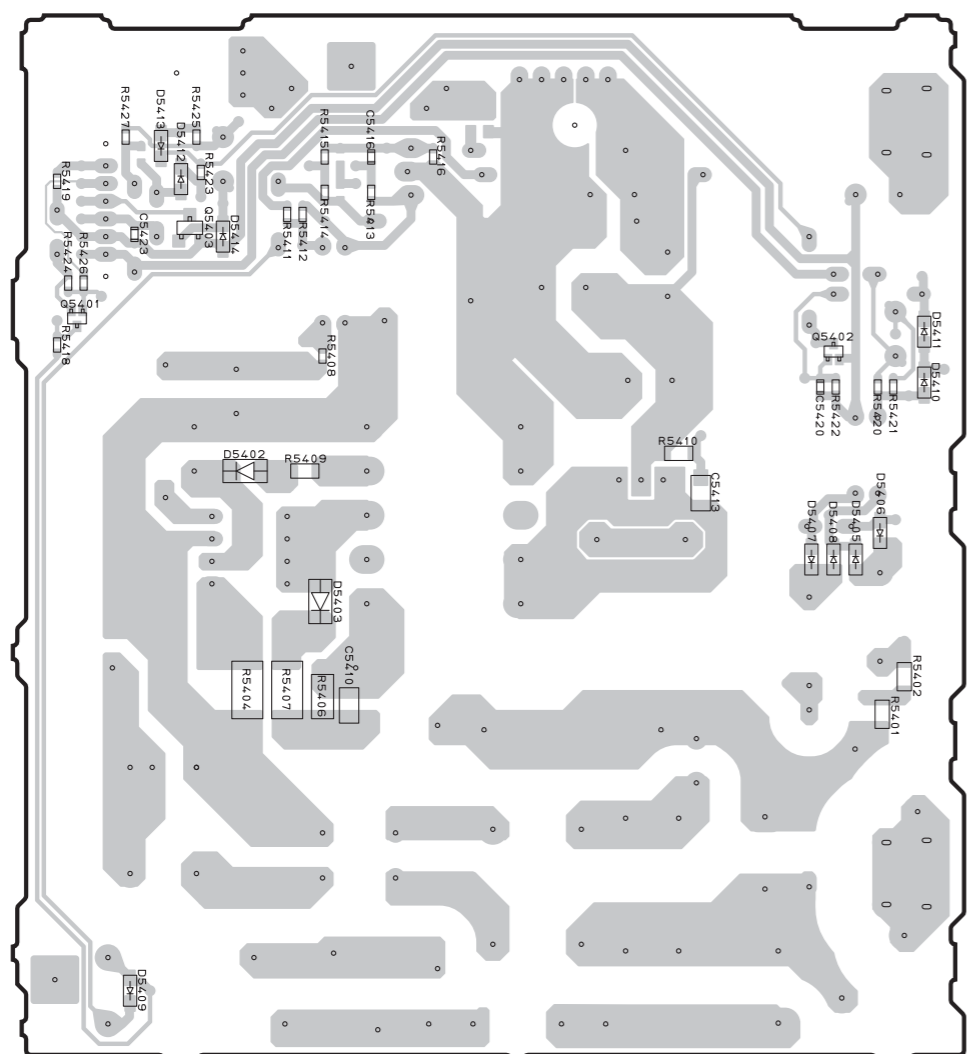
安全対策

- この製品の内部には高電圧部分があり危険です。修理の際は、絶縁性の手袋を使用などの安全対策を行ってください。
- 下記のコンデンサには電源を OFF にした後も電荷が残り、高電圧が維持されており危険です。修理作業前に放電用抵抗 (5 k Ω /10 W) を下記の各コンデンサの端子間に接続して放電してください。放電所用時間は各々約 30 秒間です。OPERATION (2) P.C.B. の C5407

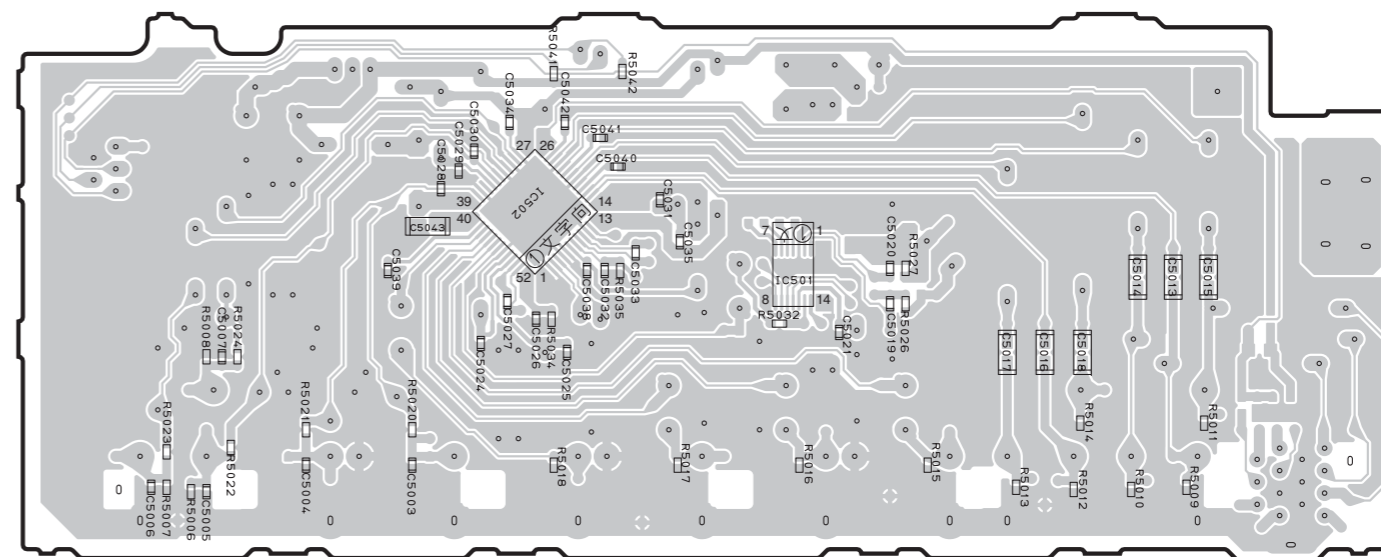
RX-V475/HTR-4066

RX-V500D

OPERATION (2) (Side B)



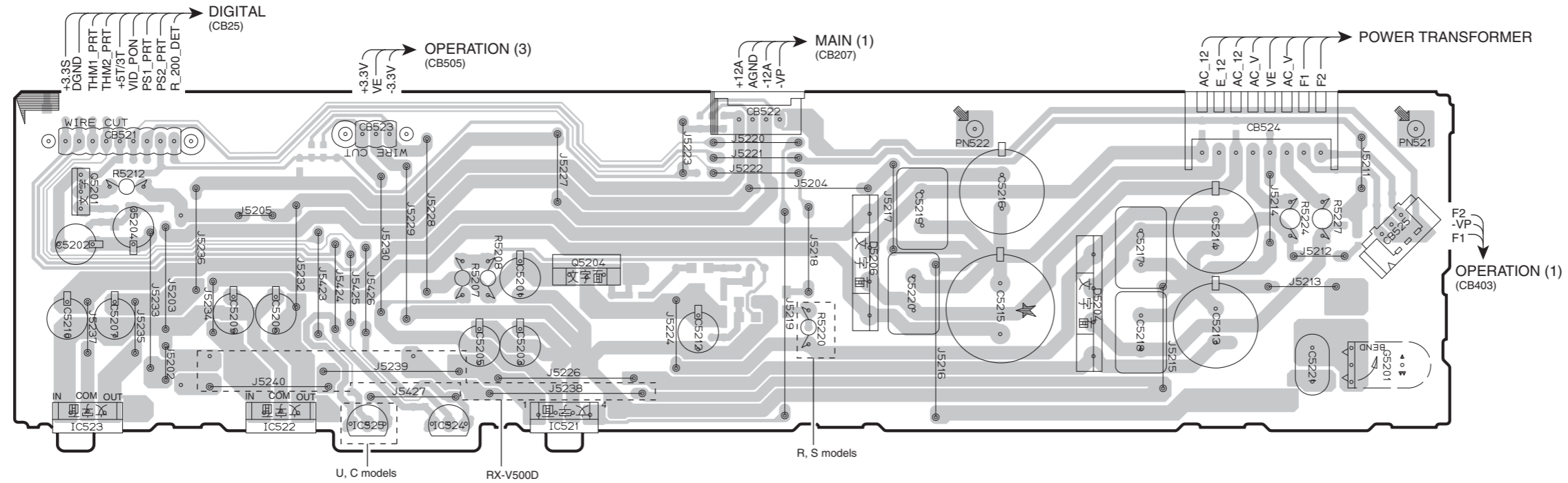
OPERATION (3) (Side B)



• Semiconductor Location

Ref no.	Location	Ref no.	Location
D5402	B4	D5412	B3
D5403	B4	D5413	A3
D5405	D4	D5414	B3
D5406	D4	IC501	H3
D5407	D4	IC502	G3
D5408	D4	Q5401	A3
D5409	A6	Q5402	D3
D5410	D3	Q5403	B3
D5411	D3		

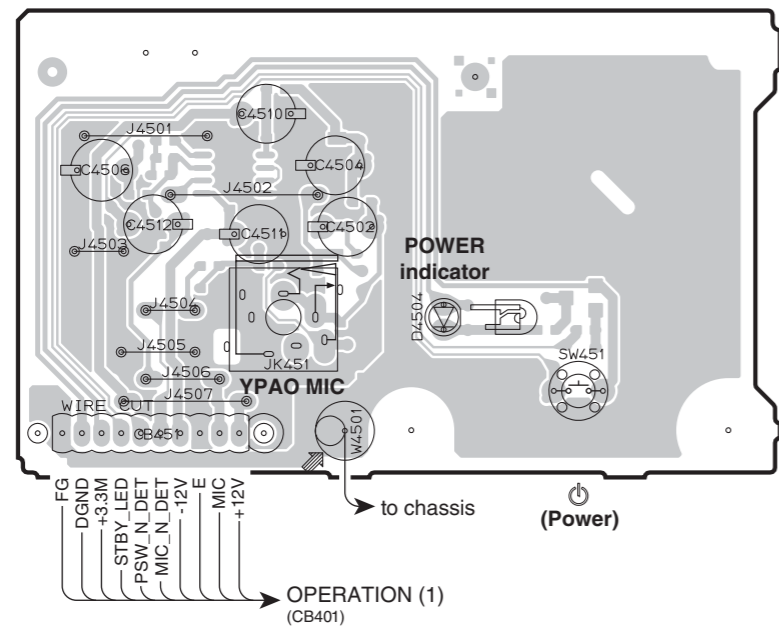
OPERATION (4) (Side A)



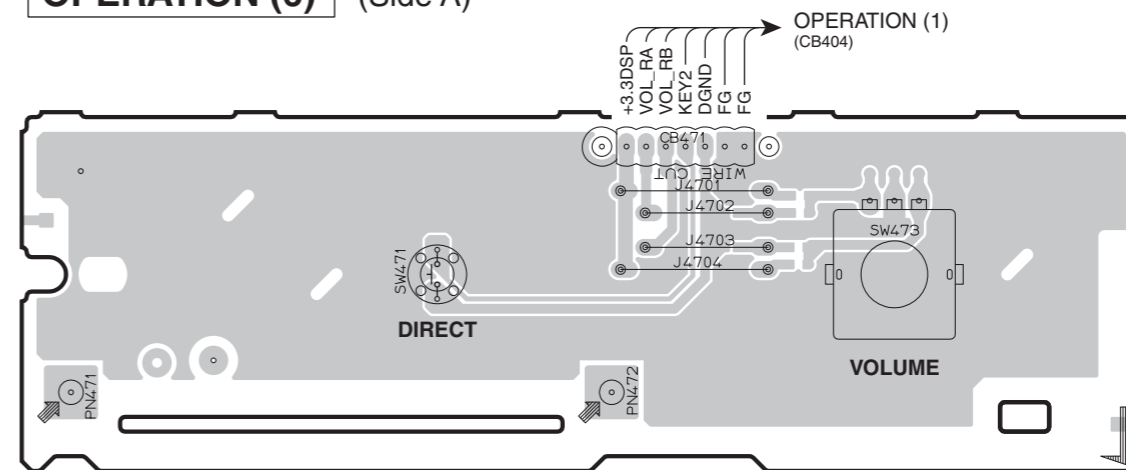
• Semiconductor Location

Ref no.	Location
D4504	C6
D5204	G3
D5206	F3
IC521	D4
IC522	C4
IC523	B4
IC524	D4
IC525	C4
Q5201	B3
Q5204	D3

OPERATION (5) (Side A)



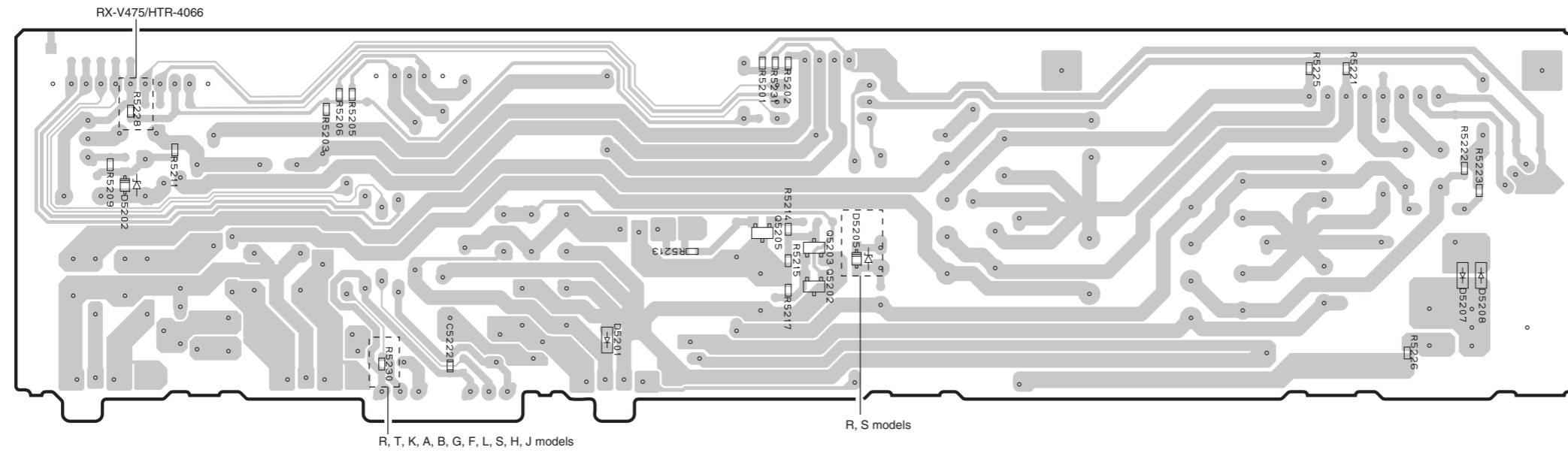
OPERATION (6) (Side A)



RX-V475/HTR-4066

RX-V500D

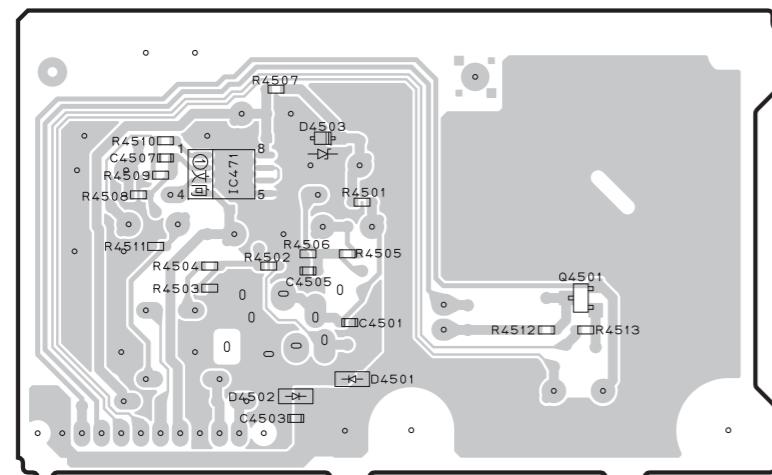
OPERATION (4) (Side B)



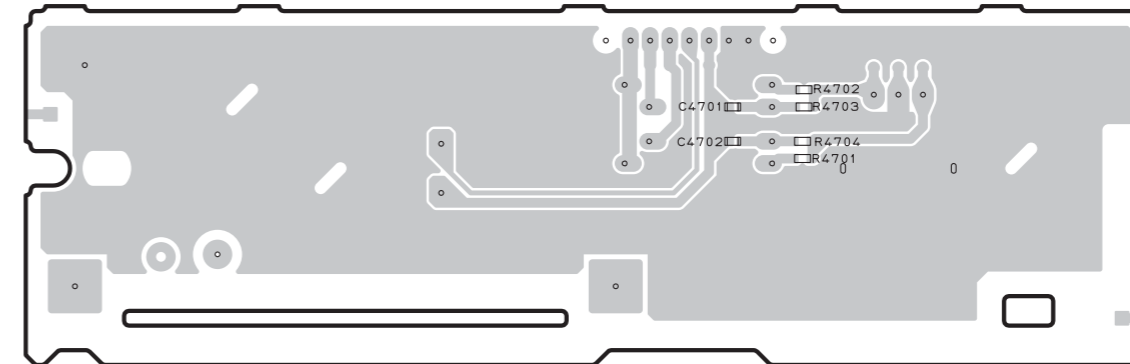
• Semiconductor Location

Ref no.	Location
D4501	B6
D4502	B6
D4503	B5
D5201	D4
D5202	B3
D5205	E3
D5207	H3
D5208	H3
IC471	B6
Q4501	C6
Q5202	E3
Q5203	E3
Q5205	D3

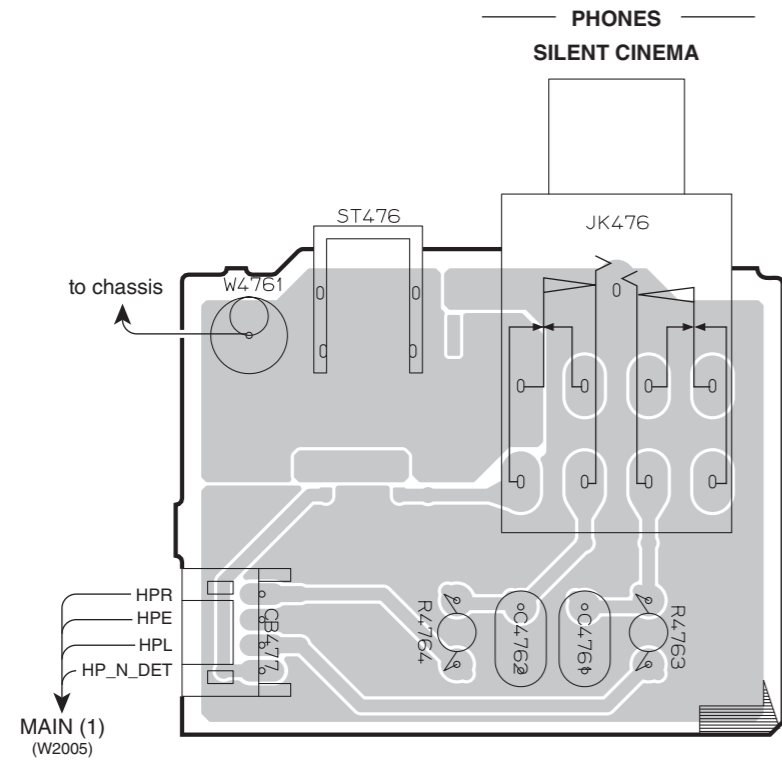
OPERATION (5) (Side B)



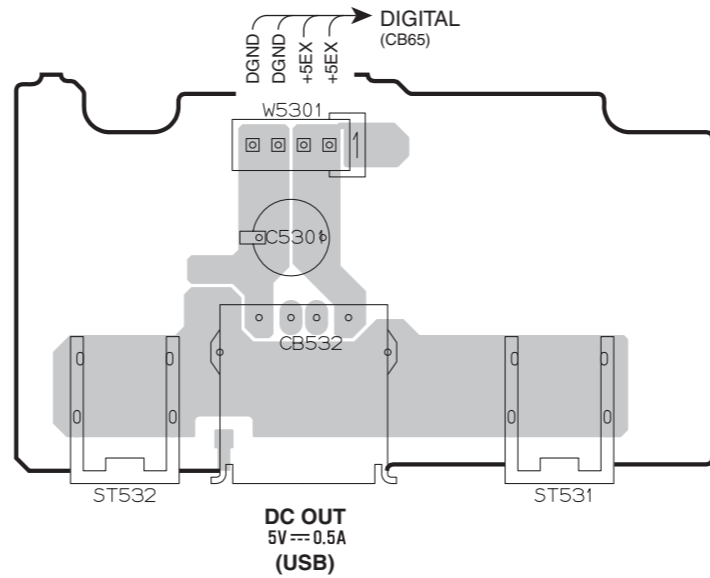
OPERATION (6) (Side B)



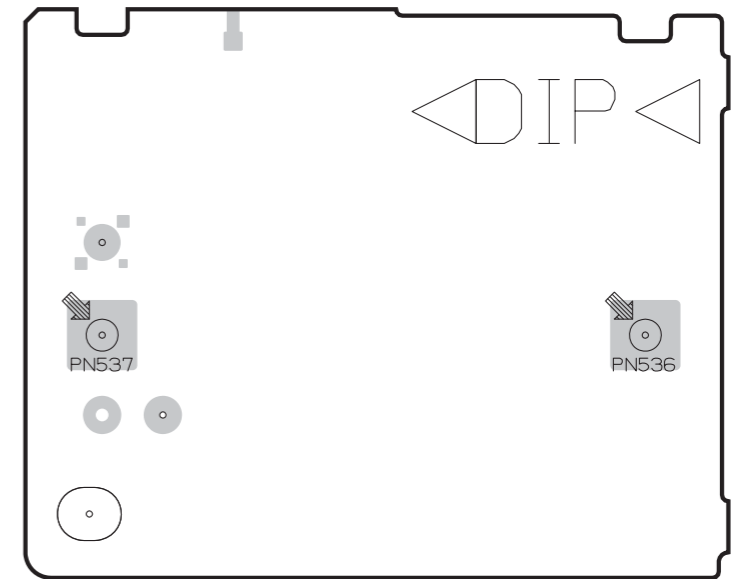
OPERATION (7) (Side A)



OPERATION (8) (Side A)



OPERATION (9) (Side A)



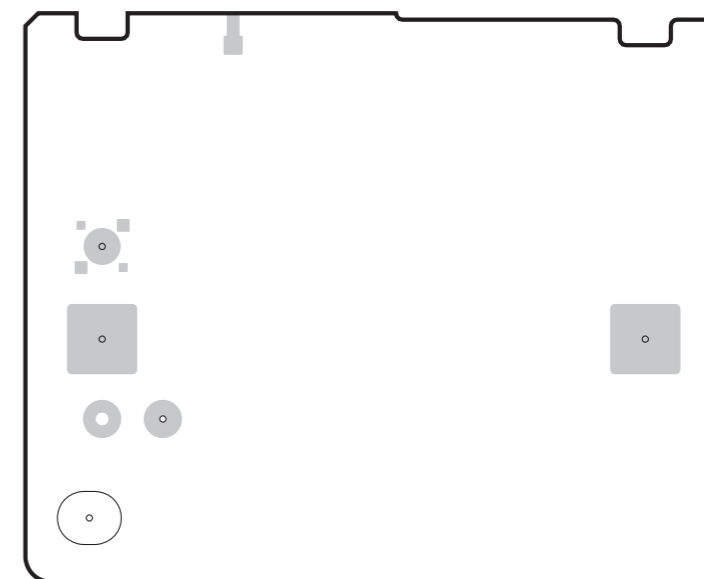
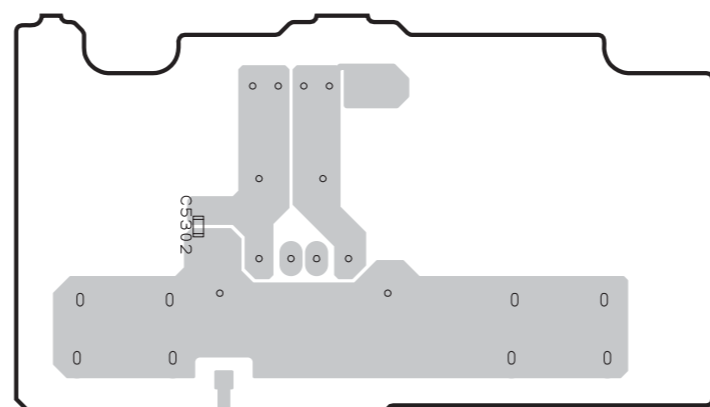
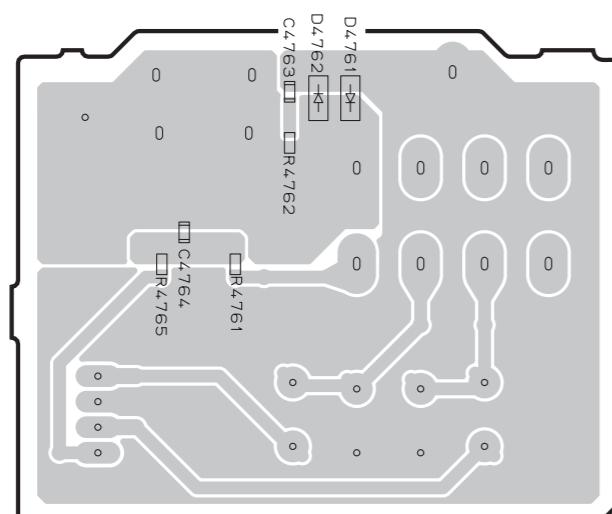
RX-V475/HTR-4066

RX-V500D

OPERATION (7) (Side B)

OPERATION (8) (Side B)

OPERATION (9) (Side B)



• Semiconductor Location

Ref no.	Location
D4761	C3
D4762	B3

Safety measures

- Some internal parts in this product contain high voltages and are dangerous. Be sure to take safety measures during servicing, such as wearing insulating gloves.
- Note that the capacitors indicated below are dangerous even after the power is turned off because an electric charge remains and a high voltage continues to exist there. Before starting any repair work, connect a discharging resistor (5 k-ohms/10 W) to the terminals of each capacitor indicated below to discharge electricity. The time required for discharging is about 30 seconds per each. C2084, C2085 on MAIN (1) P.C.B.

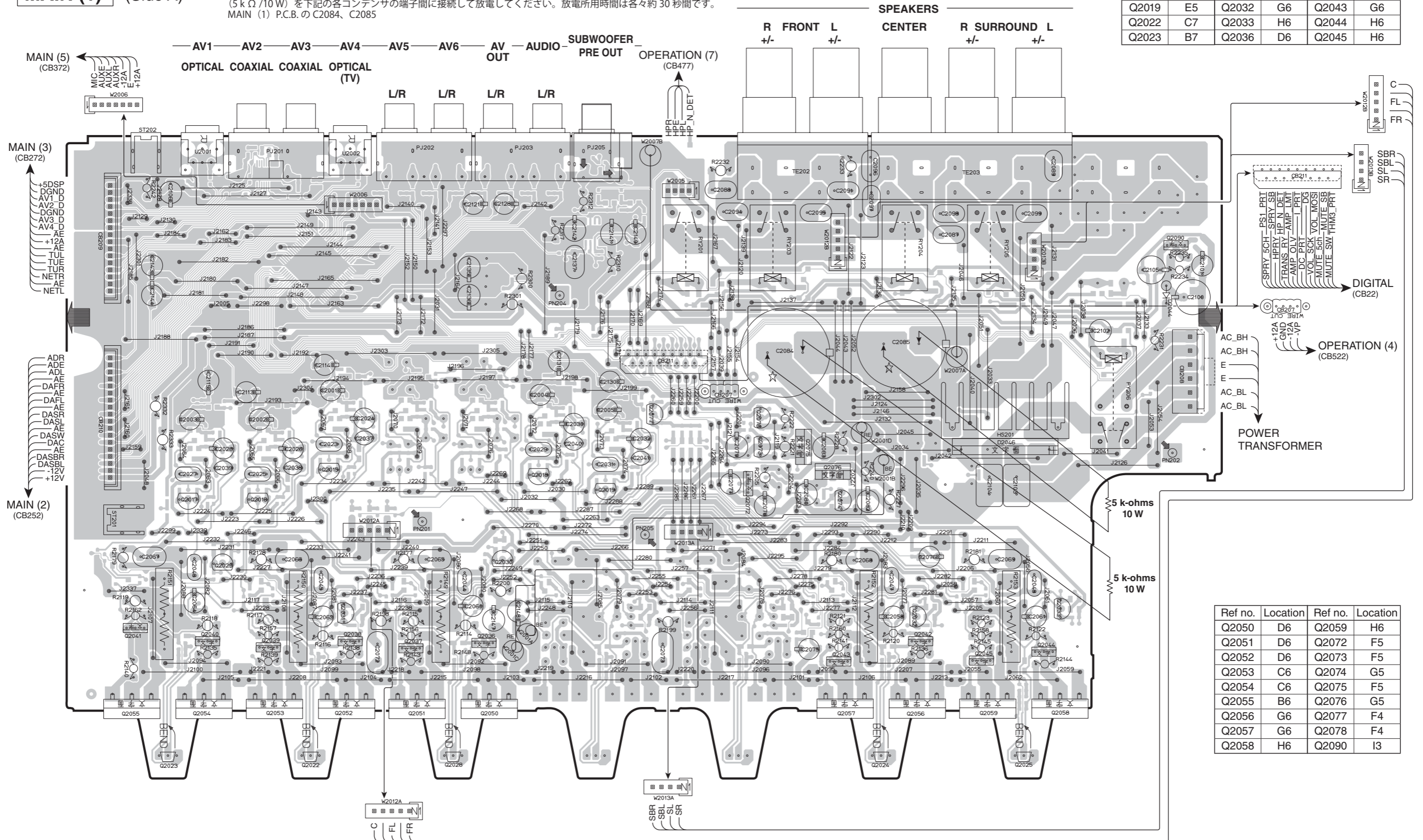
安全対策

- この製品の内部には高電圧部分があり危険です。修理の際は、絶縁性の手袋を使用するなどの安全対策を行ってください。
- 下記のコンデンサには電源をOFFにした後も電荷が残り、高電圧が維持されており危険です。修理作業前に放電用抵抗 (5 kΩ / 10 W) を下記の各コンデンサの端子間に接続して放電してください。放電所用時間は各々約 30 秒間です。MAIN (1) P.C.B. の C2084、C2085

• Semiconductor Location

Ref no.	Location	Ref no.	Location	Ref no.	Location
D2044	I4	Q2024	G7	Q2037	D6
D2046	H5	Q2025	H7	Q2038	D6
Q2015	C5	Q2028	D7	Q2039	C6
Q2016	C5	Q2029	C5	Q2040	C6
Q2017	C5	Q2030	E5	Q2041	B6
Q2018	E5	Q2031	D6	Q2042	G6
Q2019	E5	Q2032	G6	Q2043	G6
Q2022	C7	Q2033	H6	Q2044	H6
Q2023	B7	Q2036	D6	Q2045	H6

MAIN (1) (Side A)

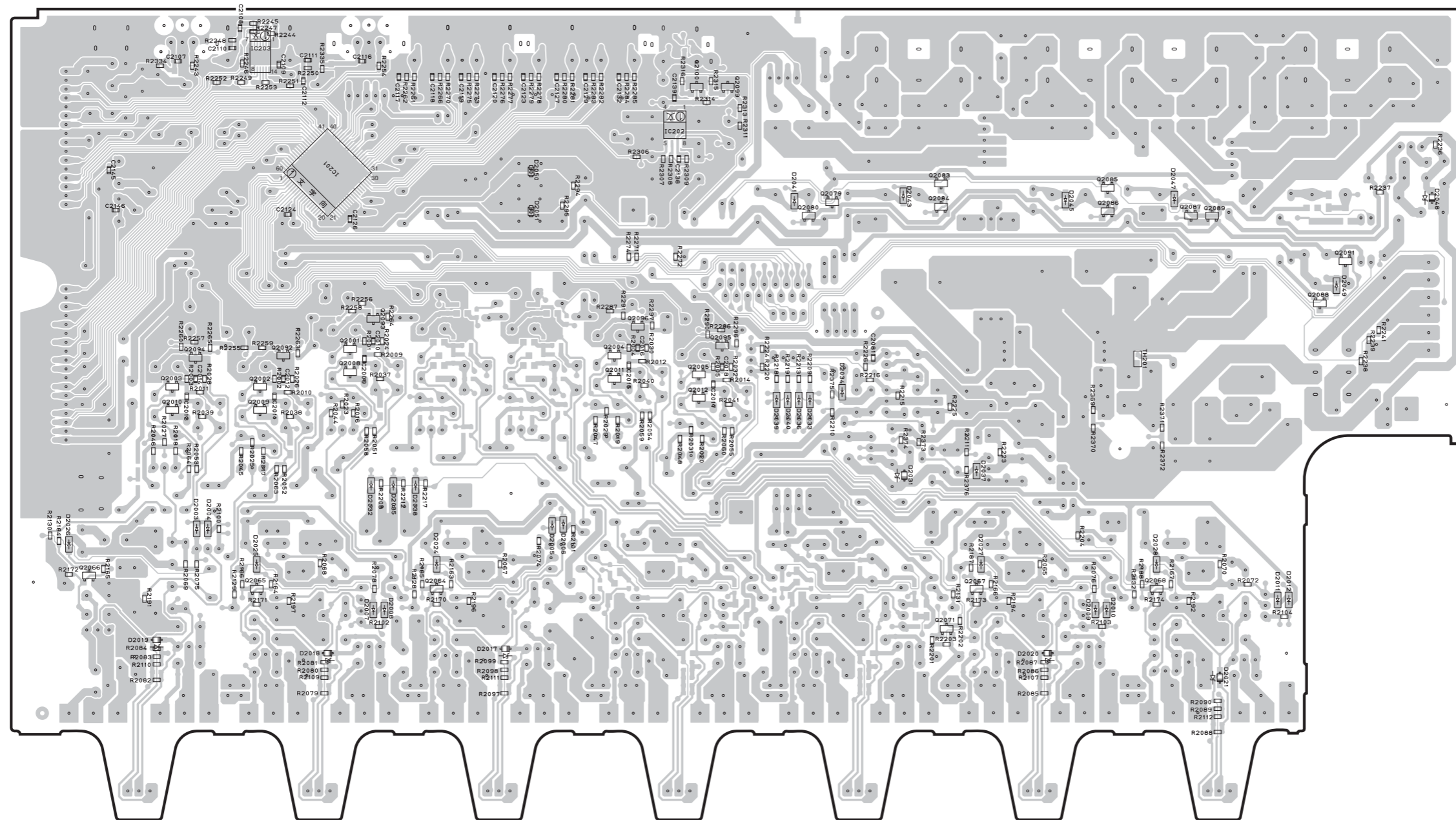


Ref no.	Location	Ref no.	Location
Q2050	D6	Q2059	H6
Q2051	D6	Q2072	F5
Q2052	D6	Q2073	F5
Q2053	C6	Q2074	G5
Q2054	C6	Q2075	F5
Q2055	B6	Q2076	G5
Q2056	G6	Q2077	F4
Q2057	G6	Q2078	F4
Q2058	H6	Q2090	I3

RX-V475/HTR-4066

RX-V500D

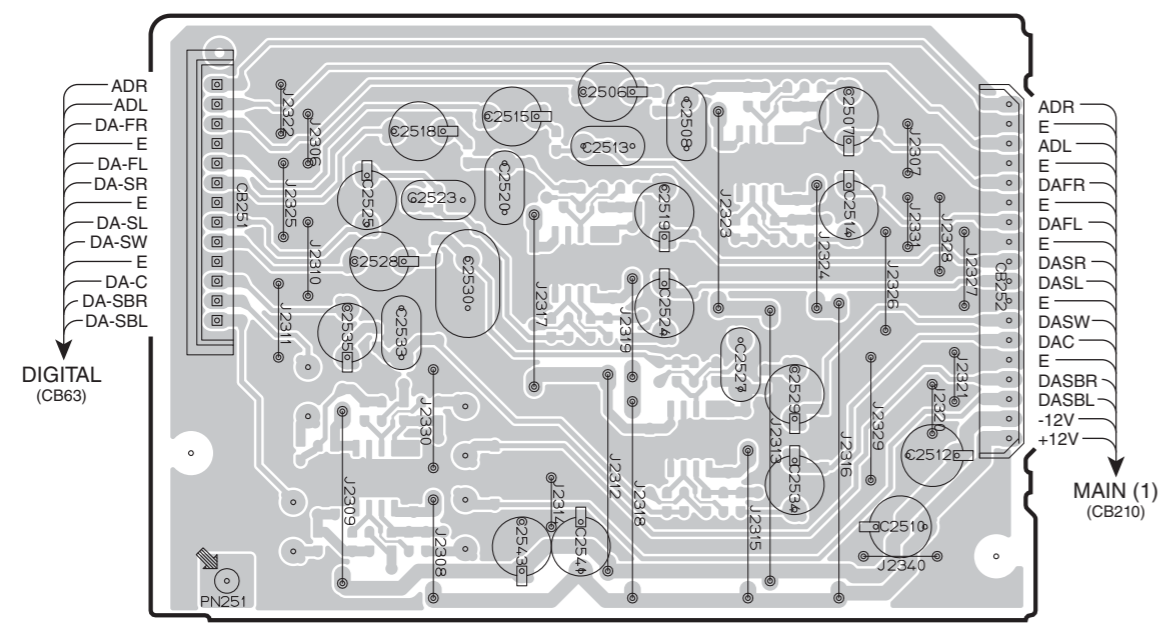
MAIN (1) (Side B)



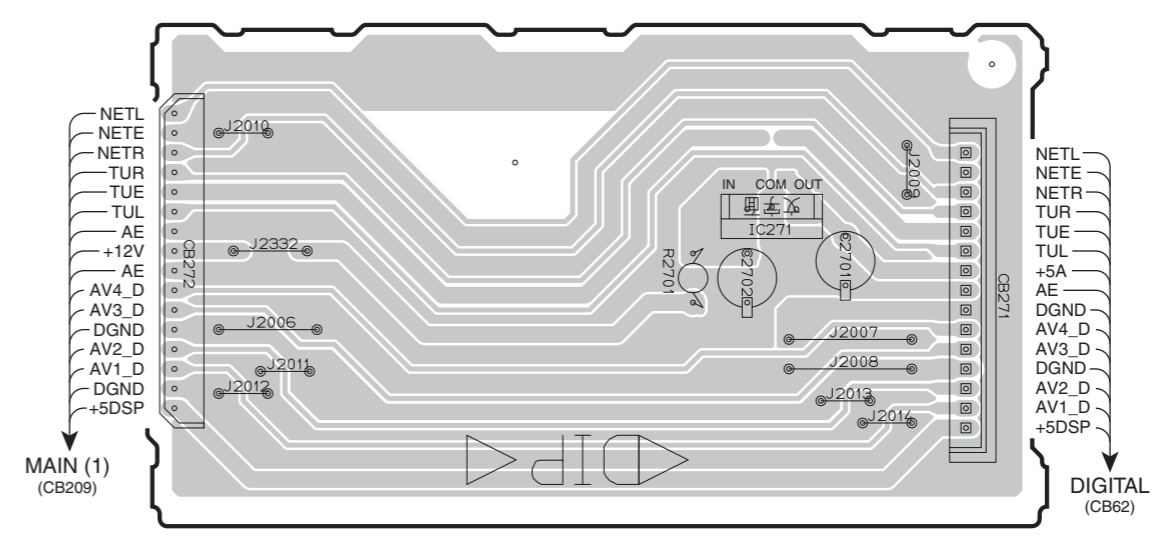
• Semiconductor Location

Ref no.	Location	Ref no.	Location
D2003	B5	D2051	D4
D2004	B5	IC201	C3
D2005	D5	IC202	E3
D2006	D5	IC203	B3
D2007	C6	Q2001	C4
D2008	C6	Q2002	B5
D2009	G6	Q2003	B5
D2010	G6	Q2004	D4
D2011	H6	Q2008	C4
D2012	H6	Q2009	B5
D2017	D6	Q2010	B5
D2018	C6	Q2011	D4
D2019	B6	Q2012	E5
D2020	F6	Q2064	C6
D2021	G6	Q2065	B6
D2024	C5	Q2066	B6
D2025	B5	Q2067	F6
D2026	A5	Q2068	G6
D2027	F5	Q2071	F6
D2028	G5	Q2079	E4
D2031	F5	Q2080	E4
D2032	C5	Q2083	F3
D2033	E5	Q2084	F4
D2034	E5	Q2085	G4
D2035	C5	Q2086	G4
D2036	E5	Q2087	G4
D2037	F5	Q2088	H4
D2038	C5	Q2089	G4
D2039	E5	Q2091	H4
D2040	E5	Q2092	C4
D2041	E4	Q2093	C4
D2043	F4	Q2094	B4
D2045	G4	Q2095	E4
D2047	G4	Q2096	D4
D2048	H4	Q2099	E3
D2049	H4	Q2100	E3
D2050	D3		

MAIN (2) (Side A)

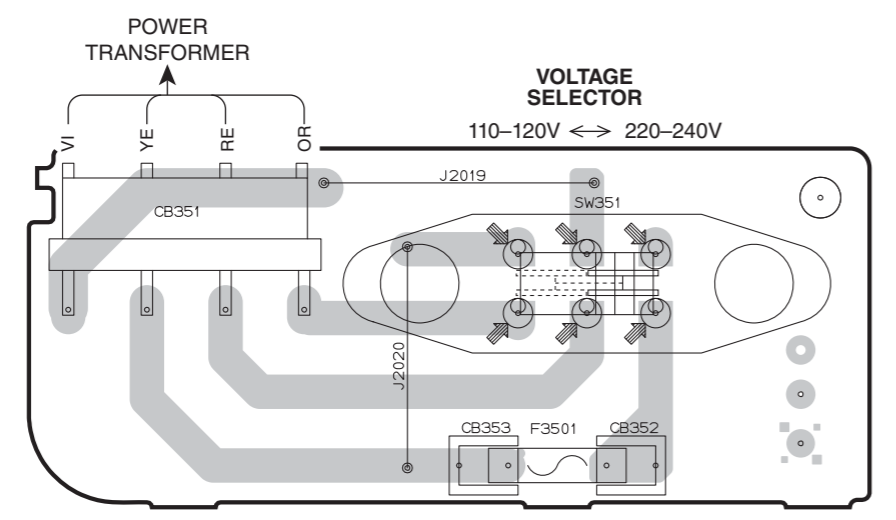


MAIN (3) (Side A)



MAIN (4) (Side A)

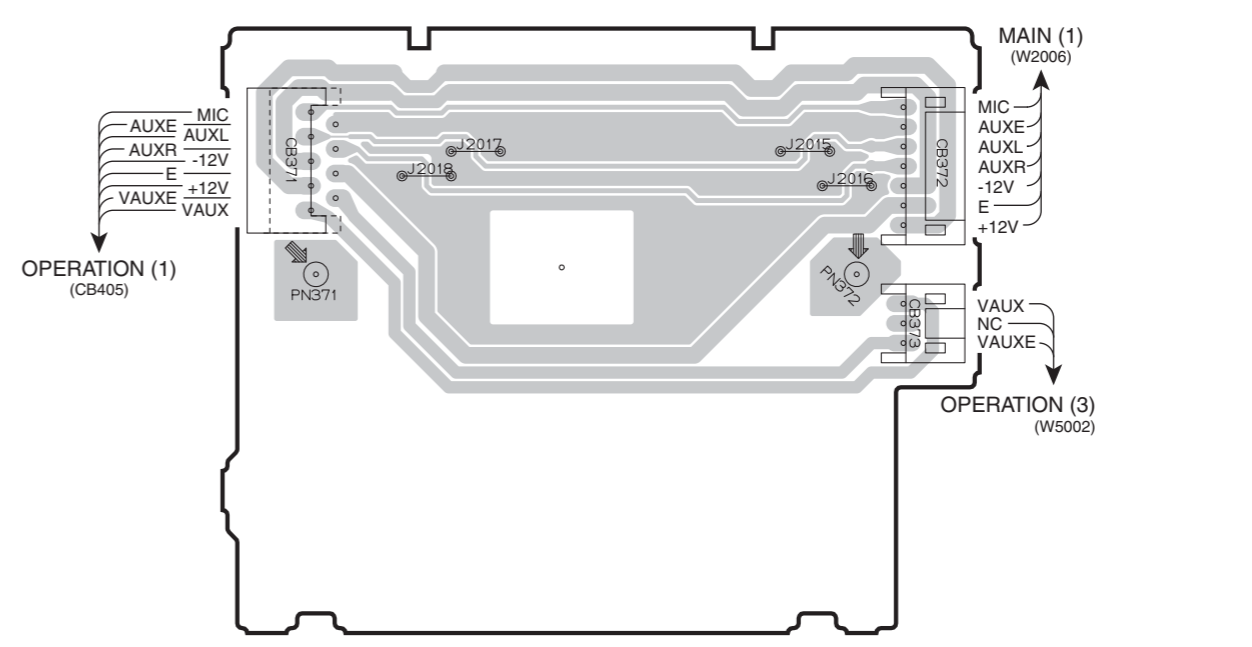
R, S models



• Semiconductor Location

Ref no.	Location
IC271	H2

MAIN (5) (Side A)

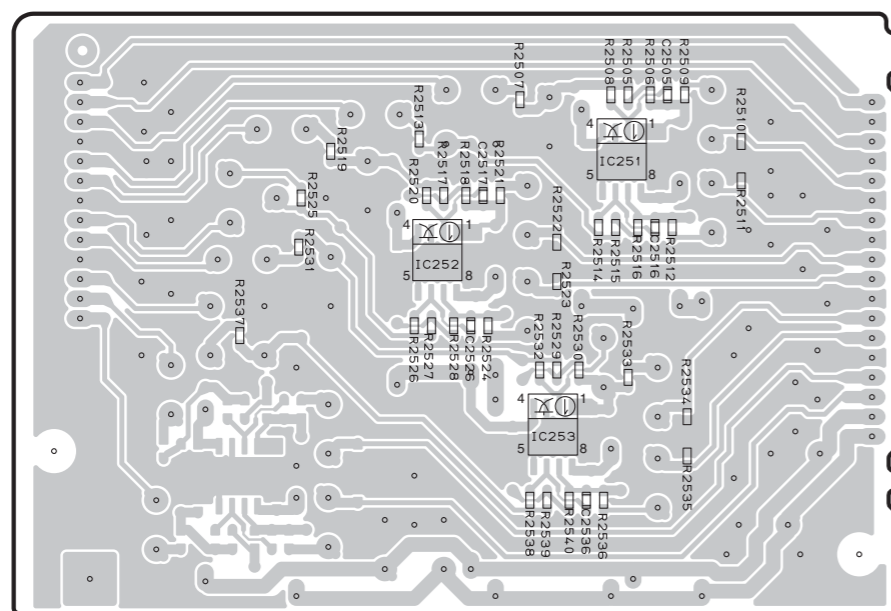


RX-V475/HTR-4066

RX-V500D

1

MAIN (2) (Side B)



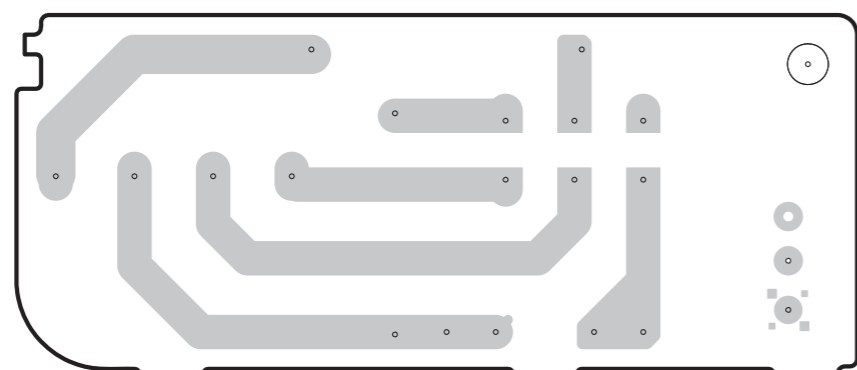
2

3

4

MAIN (4) (Side B)

R, S models

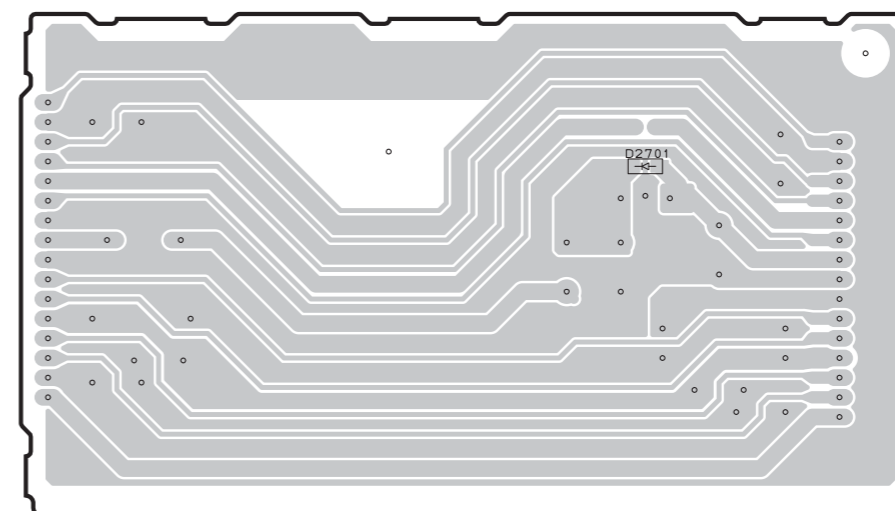


5

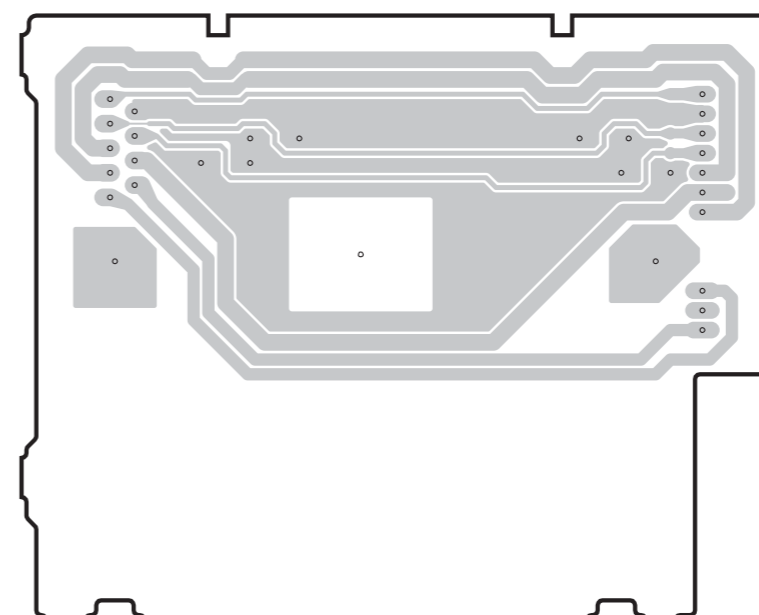
6

7

MAIN (3) (Side B)



MAIN (5) (Side B)



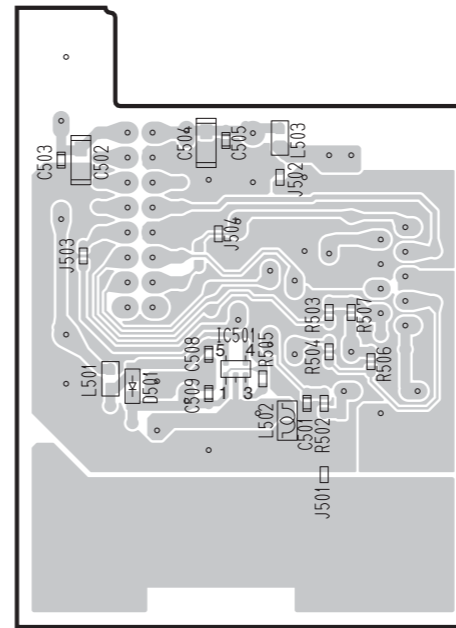
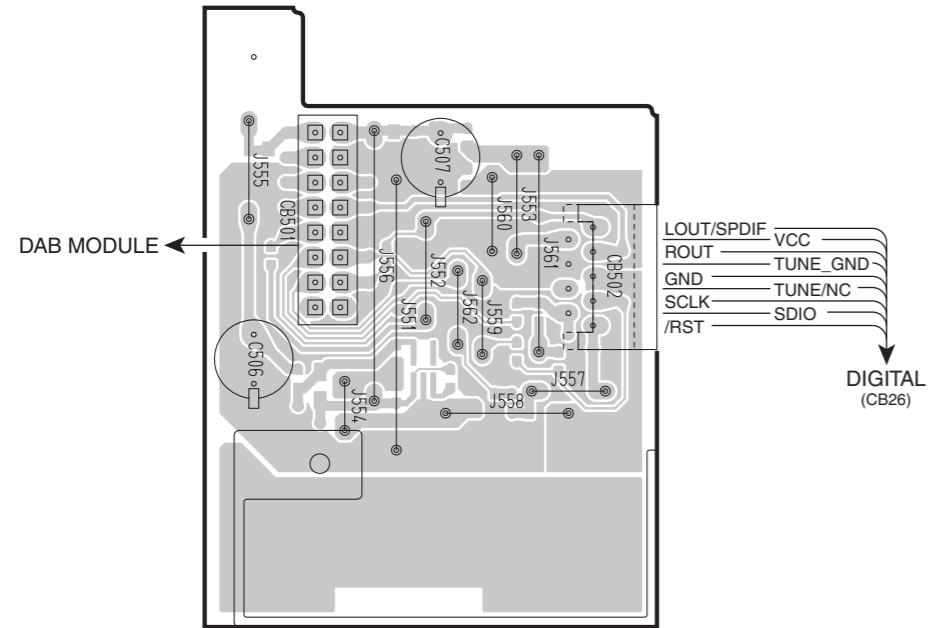
• Semiconductor Location

Ref no.	Location
D2701	H2
IC251	C2
IC252	C2
IC253	C3

RX-V500D

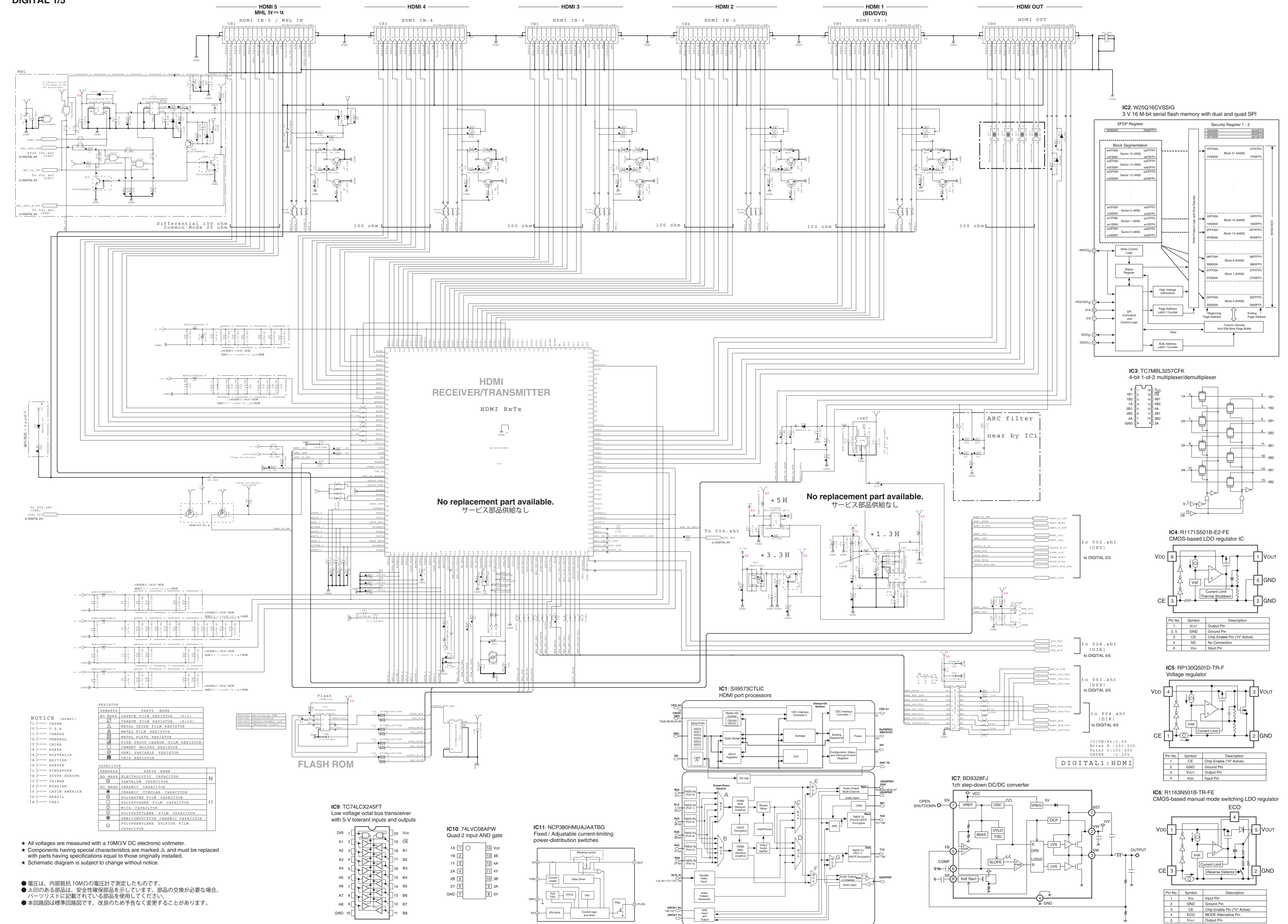
DAB (Side A)

DAB (Side B)



• Semiconductor Location

Ref no.	Location
D501	F3
IC501	F3



HDMI RECEIVER/TRANSMITTER
HDMI R x T x

No replacement part available.
サービス部品供給なし

No replacement part available.
サービス部品供給なし

NOTICE (model)

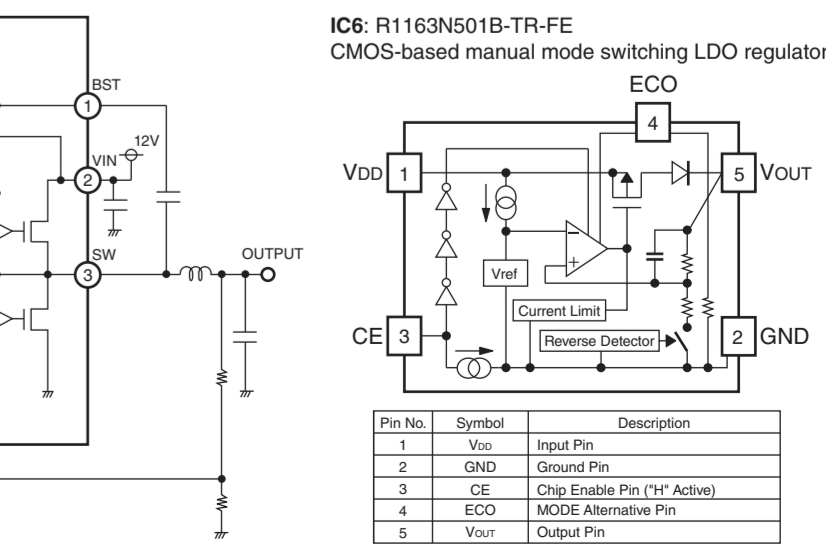
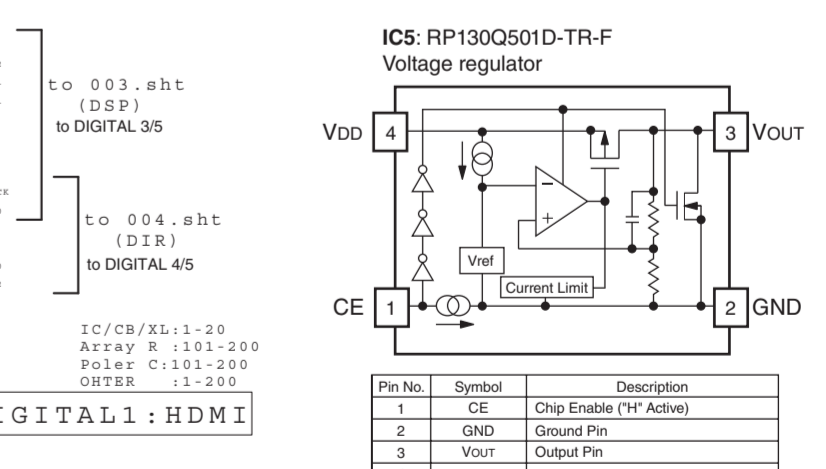
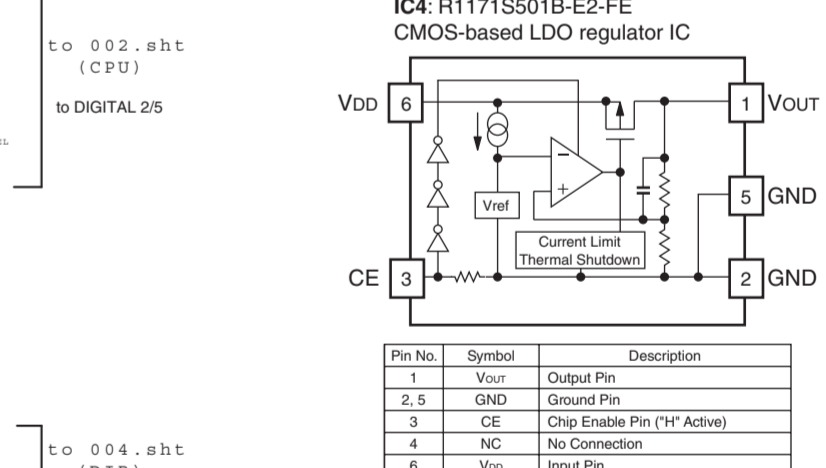
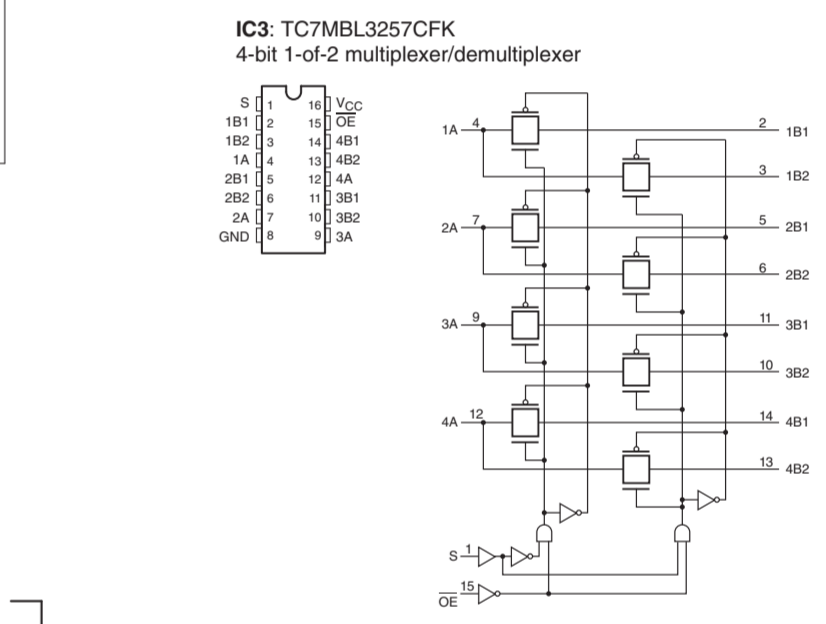
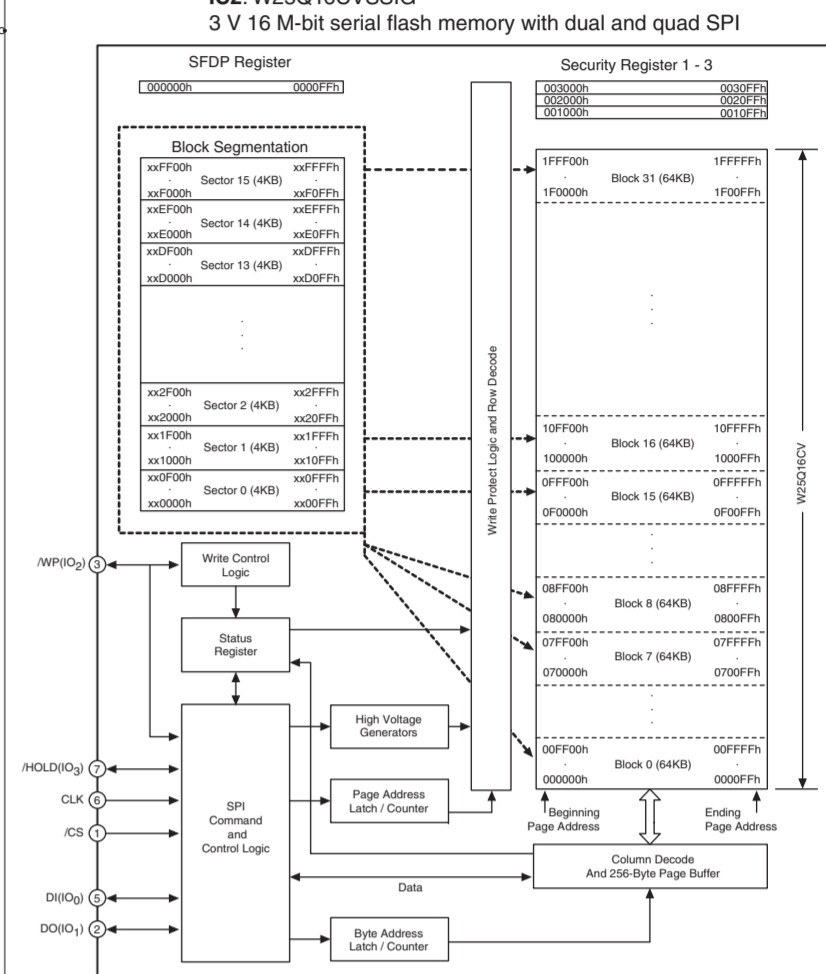
- (J) JAPAN
- (U) U.S.A
- (C) CANADA
- (R) GENERAL
- (F) CHINA
- (K) KOREA
- (A) AUSTRALIA
- (B) BRITISH
- (E) EUROPE
- (L) SINGAPORE
- (S) SOUTH EUROPE
- (V) TAIWAN
- (P) RUSSIAN
- (D) LATIN AMERICA
- (N) BRAZIL
- (S) TBA1

REMARKS	PARTS NAME
NO MARK	CARBON FILM RESISTOR (Pa5)
△	CARBON FILM RESISTOR (Pa10)
□	METAL OXIDE FILM RESISTOR
▲	METAL FILM RESISTOR
⊠	METAL PLATE RESISTOR
■	TYPE PROOF CARBON FILM RESISTOR
⊞	CERMET MOLDED RESISTOR
⊟	SEMI VARIABLE RESISTOR
⊠	CHIP RESISTOR

REMARKS	PARTS NAME
NO MARK	ELECTROLYTIC CAPACITOR
⊞	TANTALUM CAPACITOR
NO MARK	CERAMIC CAPACITOR
⊞	CERAMIC TUBULAR CAPACITOR
⊞	POLYESTER FILM CAPACITOR
⊞	POLYESTER FILM CAPACITOR
⊞	MICA CAPACITOR
⊞	POLYPROPYLENE FILM CAPACITOR
⊞	SEMICONDUCTIVE CERAMIC CAPACITOR
⊞	POLYPROPYLENE SUSPENDED FILM CAPACITOR

- ★ All voltages are measured with a 10MΩ/V DC electronic voltmeter.
- ★ Components having special characteristics are marked △ and must be replaced with parts having specifications equal to those originally installed.
- ★ Schematic diagram is subject to change without notice.

- 電圧は、内部抵抗 10MΩの電圧計で測定したものです。
- △印のある部品は、安全性確保部品を示しています。部品の交換が必要な場合、パーツリストに記載されている部品を使用してください。
- 本回路図は標準回路図です。改良のため予告なく変更することがあります。



DIGITAL 2/5

Page 108 [H10] to OPERATION (1)_CB402

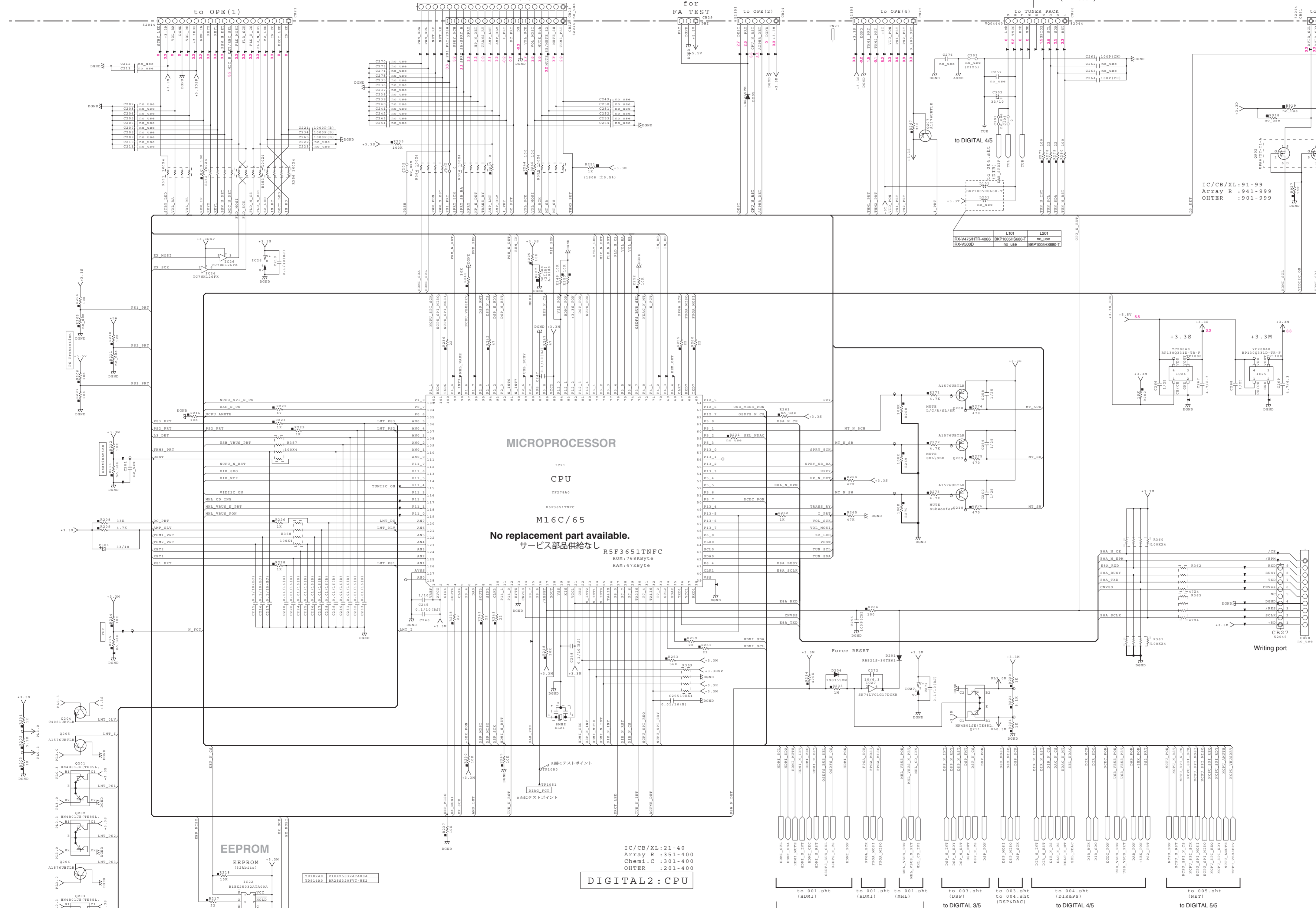
Page 111 [E10] to MAIN (1)_CB211

Page 109 [K5] to OPERATION (2)_CB545

Page 109 [G7] to OPERATION (4)_CB521

to AM/FM TUNER (RX-V475/HTR-4066) Page 113 [J4] to DAB_CB502 (RX-V500D)

Page 109 [G7] to OPERATION (3)_CB504



MICROPROCESSOR

IC21

CPU

Y216A0

R5F3651TNFC

ROM:768KByte

RAM:47KByte

No replacement part available.
サービス部品供給なし

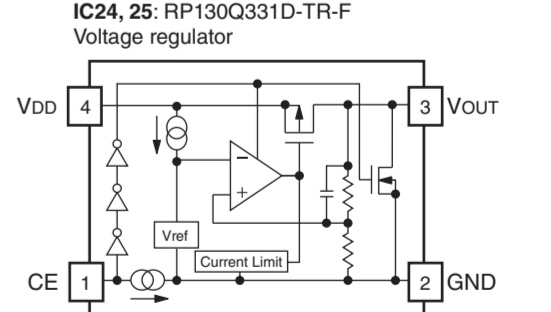
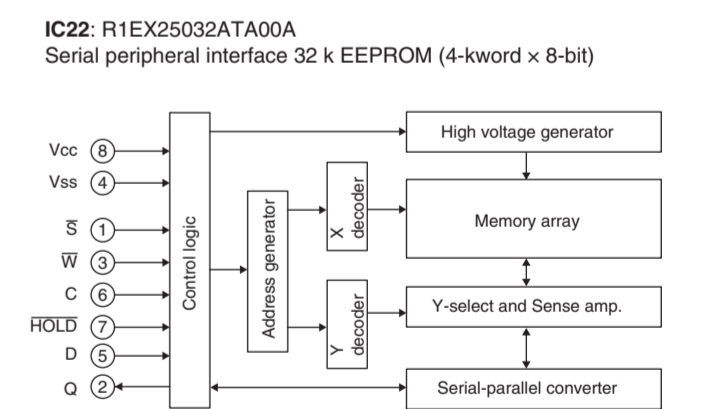
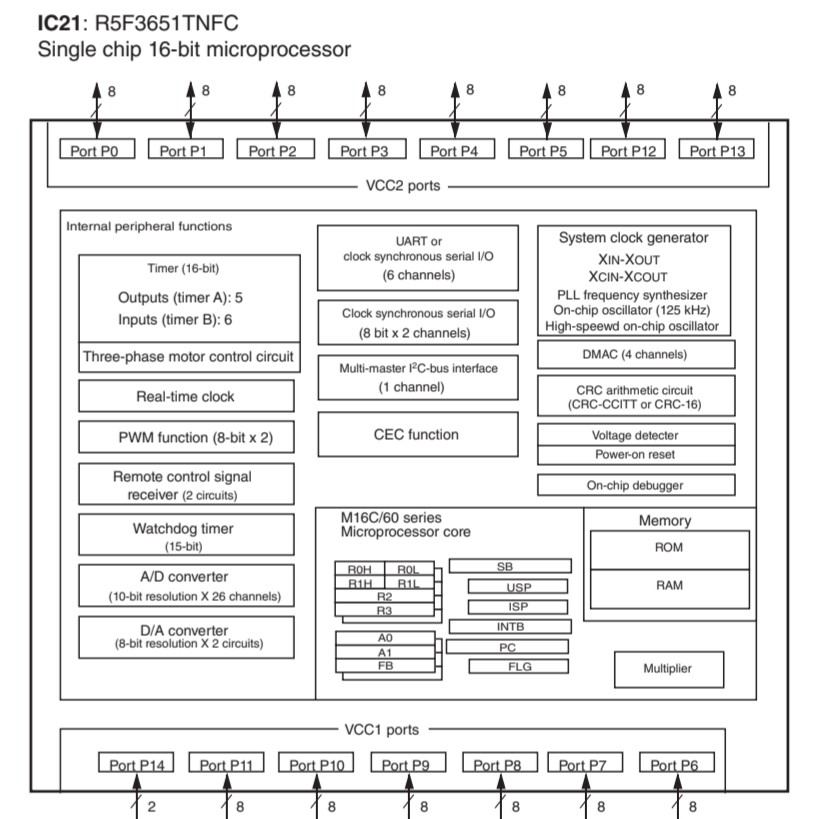
DIGITAL2:CPU

NOTICE (model)

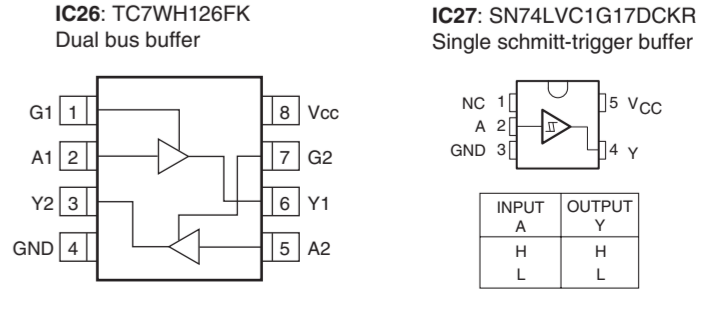
(J) JAPAN
(U) U.S.A
(C) CANADA
(K) GENERAL
(T) CHINA
(K) KOREA
(A) AUSTRALIA
(S) BRITISH
(G) EUROPE
(L) SINGAPORE
(S) SOUTH RUSSOPE
(V) TAIWAN
(F) RUSSIAN
(P) LATIN AMERICA
(B) BRAZIL
(H) THAI

REMARKS	PARTS NAME
NO MARK	CARBON FILM RESISTOR (P=5)
□	CARBON FILM RESISTOR (P=10)
△	METAL OXIDE FILM RESISTOR
▲	METAL FILM RESISTOR
□	METAL PLATE RESISTOR
□	THICK FILM CARBON FILM RESISTOR
□	CEMENT MOUNTED RESISTOR
□	SEMI VARIABLE RESISTOR
□	CHIP RESISTOR

REMARKS	PARTS NAME
NO MARK	ELECTROLYTIC CAPACITOR
⊗	TANTALUM CAPACITOR
NO MARK	CERAMIC CAPACITOR
⊙	CERAMIC TUBULAR CAPACITOR
⊙	POLYESTER FILM CAPACITOR
⊙	POLYPROPYLENE FILM CAPACITOR
⊙	MICA CAPACITOR
⊙	POLYPROPYLENE FILM CAPACITOR
⊙	SEMICONDUCTIVE CERAMIC CAPACITOR
⊙	POLYPHENYLENE SULFIDE FILM CAPACITOR



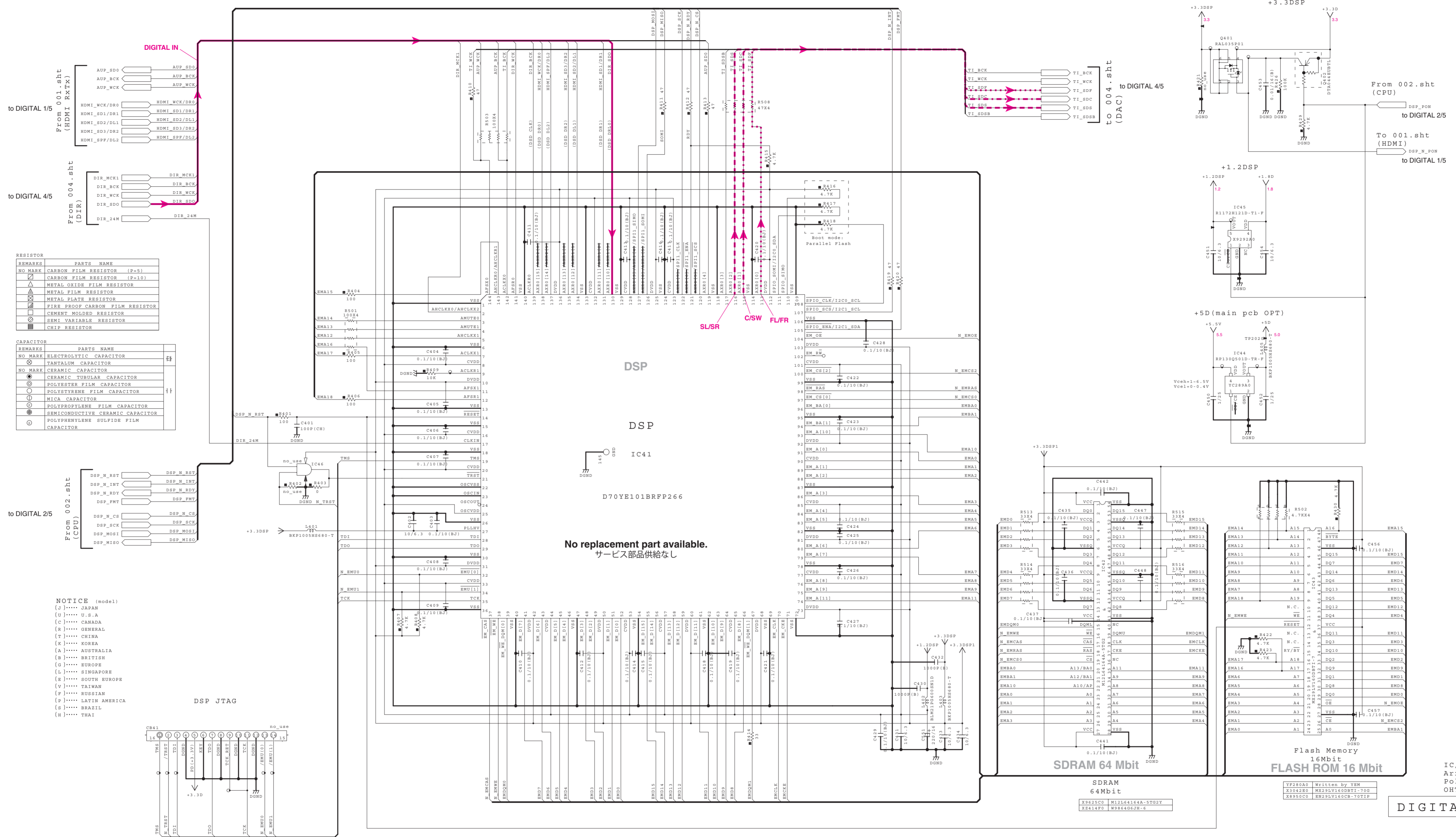
Pin No.	Symbol	Description
1	CE	Chip Enable (1V Active)
2	GND	Ground Pin
3	Vout	Output Pin
4	Vdd	Input Pin



★ All voltages are measured with a 10MΩ/V DC electronic voltmeter.
★ Components having special characteristics are marked Δ and must be replaced with parts having specifications equal to those originally installed.
★ Schematic diagram is subject to change without notice.

● 電圧は、内部抵抗 10MΩの電圧計で測定したものです。
● Δ印のある部品は、安全性確保部品を示しています。部品の交換が必要な場合、パーツリストに記載されている部品を使用してください。
● 本回路図は標準回路図です。改良のため予告なく変更することがあります。

DIGITAL 3/5



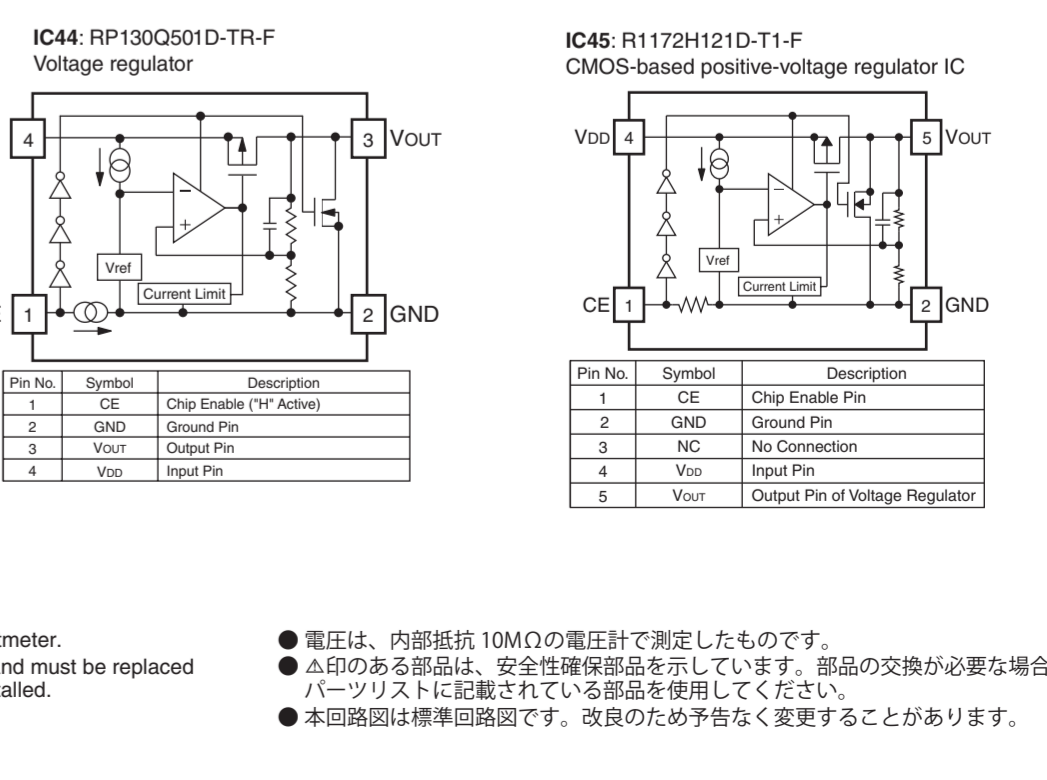
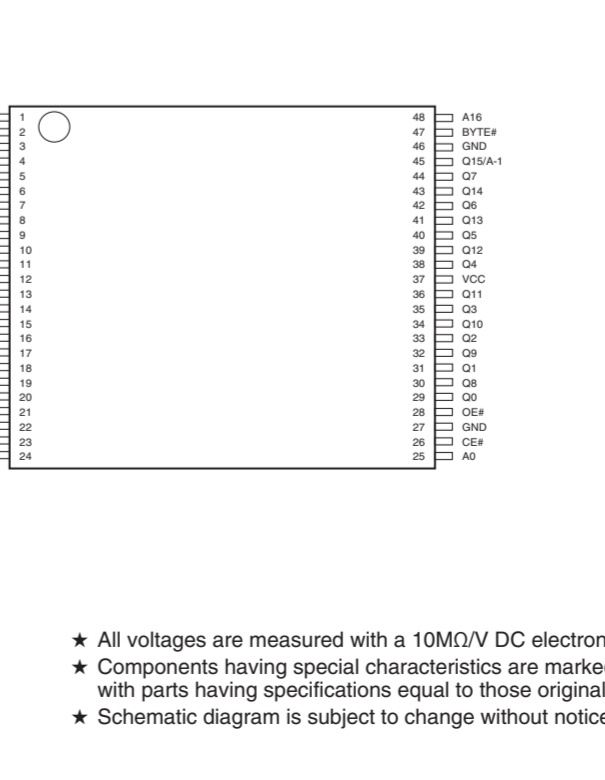
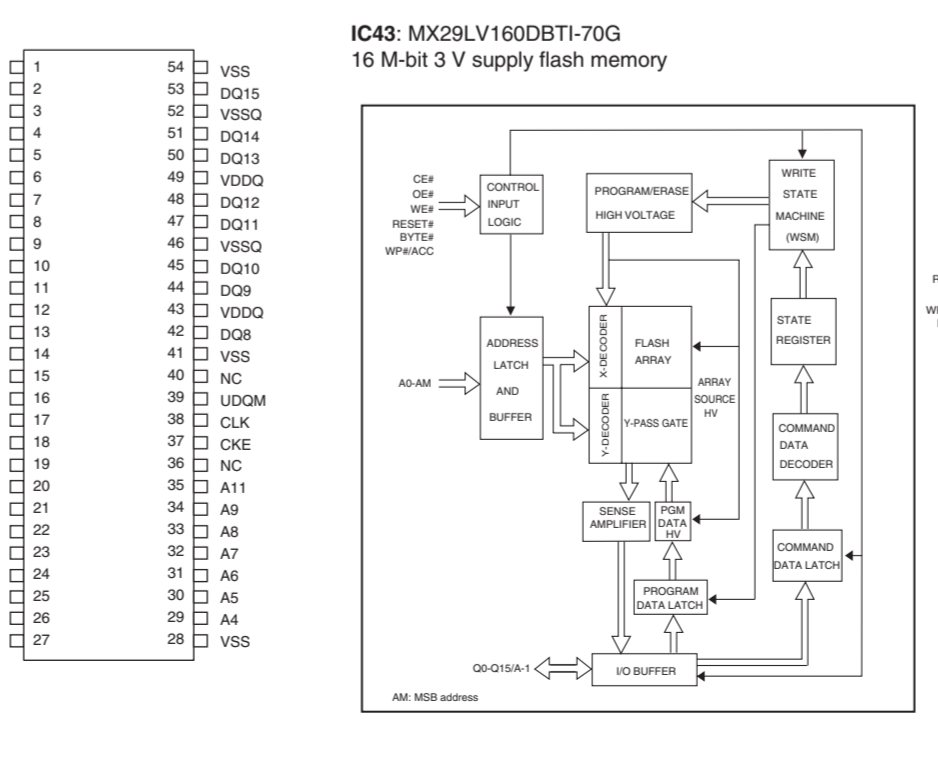
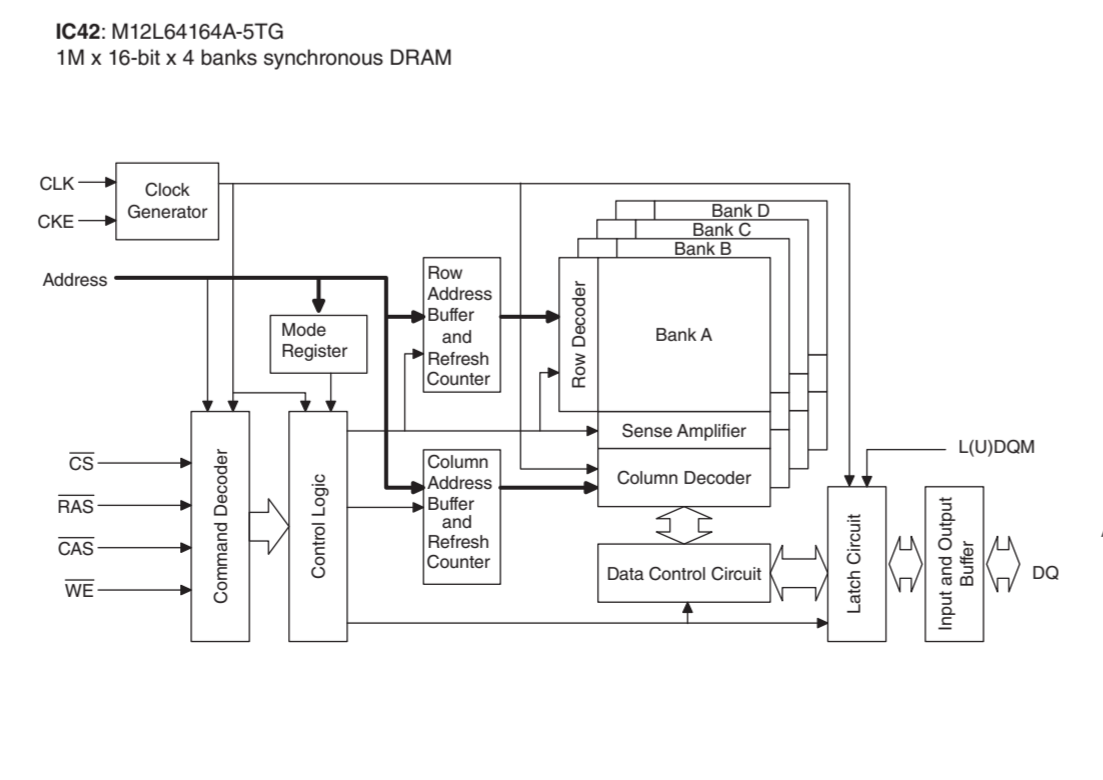
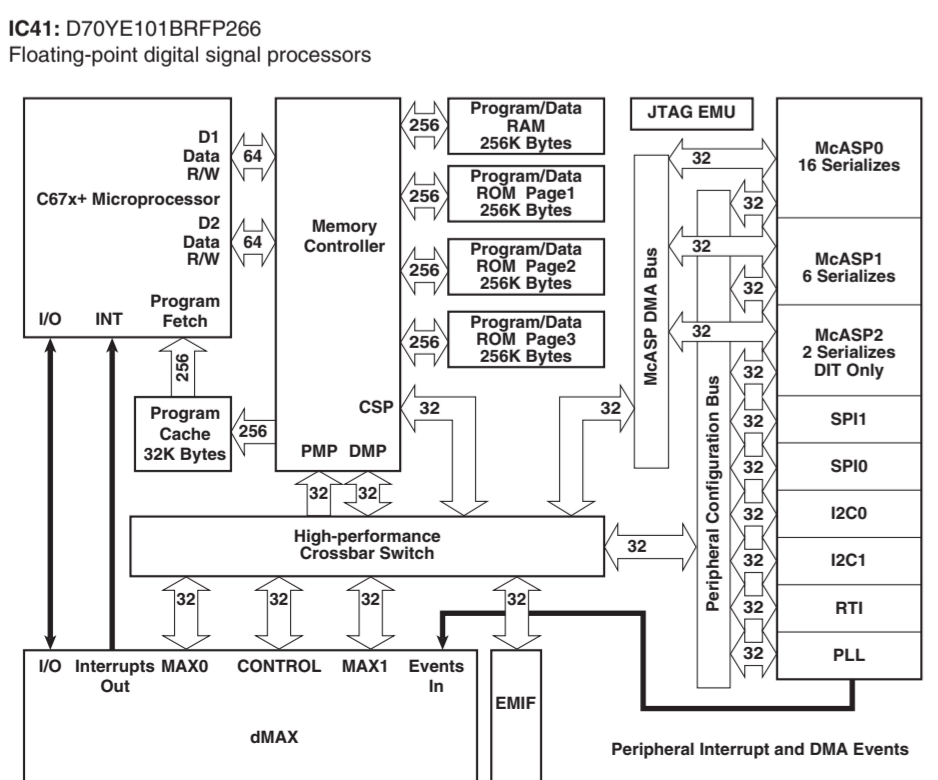
RESISTOR	PARTS NAME	REMARKS
NO MARK	CARBON FILM RESISTOR (P-5)	
NO MARK	CARBON FILM RESISTOR (P-10)	
△	METAL OXIDE FILM RESISTOR	
▲	METAL FILM RESISTOR	
■	METAL PLATE RESISTOR	
□	PIRE PROOF CARBON FILM RESISTOR	
◇	CEMENT MOLDED RESISTOR	
○	SEMI VARIABLE RESISTOR	
◎	CHIP RESISTOR	

CAPACITOR	PARTS NAME	REMARKS
NO MARK	ELECTROLYTIC CAPACITOR	
○	TANTALUM CAPACITOR	
NO MARK	CERAMIC CAPACITOR	
◎	CERAMIC TUBULAR CAPACITOR	
○	POLYESTER FILM CAPACITOR	
○	POLYESTER FILM CAPACITOR	
○	MICA CAPACITOR	
○	POLYPROPYLENE FILM CAPACITOR	
○	SEMICONDUCTIVE CERAMIC CAPACITOR	
○	POLYPHENYLENE SULFIDE FILM CAPACITOR	

to DIGITAL 2/5 (CPU)	DSP_N_RST	DSP_N_INT	DSP_N_RDY	DSP_N_RDY	DSP_N_CS	DSP_SCK	DSP_MOSI	DSP_MISO
From 002.sht (HDMI EXP)	AUP_SDO	AUP_SCK	AUP_WCK	HDMI_MCK/DR0	HDMI_SD1/DR1	HDMI_SD2/DL1	HDMI_SD3/DR2	HDMI_SPP/DL2

NOTICE (model)

(J)..... JAPAN
 (U)..... U.S.A
 (C)..... CANADA
 (R)..... GENERAL
 (T)..... CHINA
 (K)..... KOREA
 (A)..... AUSTRALIA
 (B)..... BRITISH
 (G)..... EUROPE
 (S)..... SINGAPORE
 (E)..... SOUTH EUROPE
 (V)..... TAIWAN
 (F)..... RUSSIAN
 (D)..... LATIN AMERICA
 (S)..... BRAZIL
 (H)..... THAI



* All voltages are measured with a 10MΩ DC electronic voltmeter.
 * Components having special characteristics are marked Δ and must be replaced with parts having specifications added to those originally installed.
 * Schematic diagram is subject to change without notice.

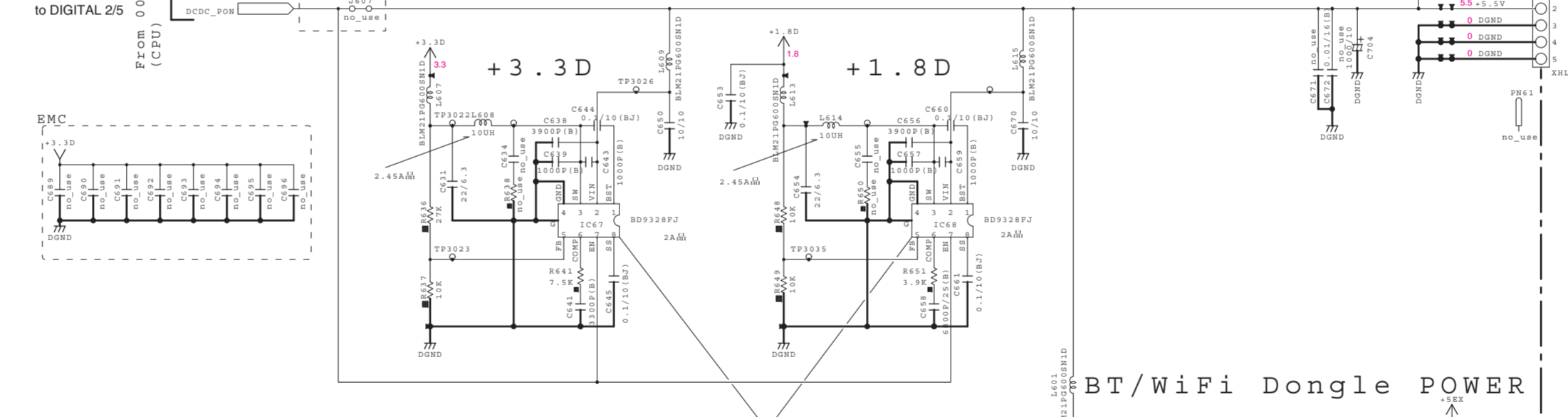
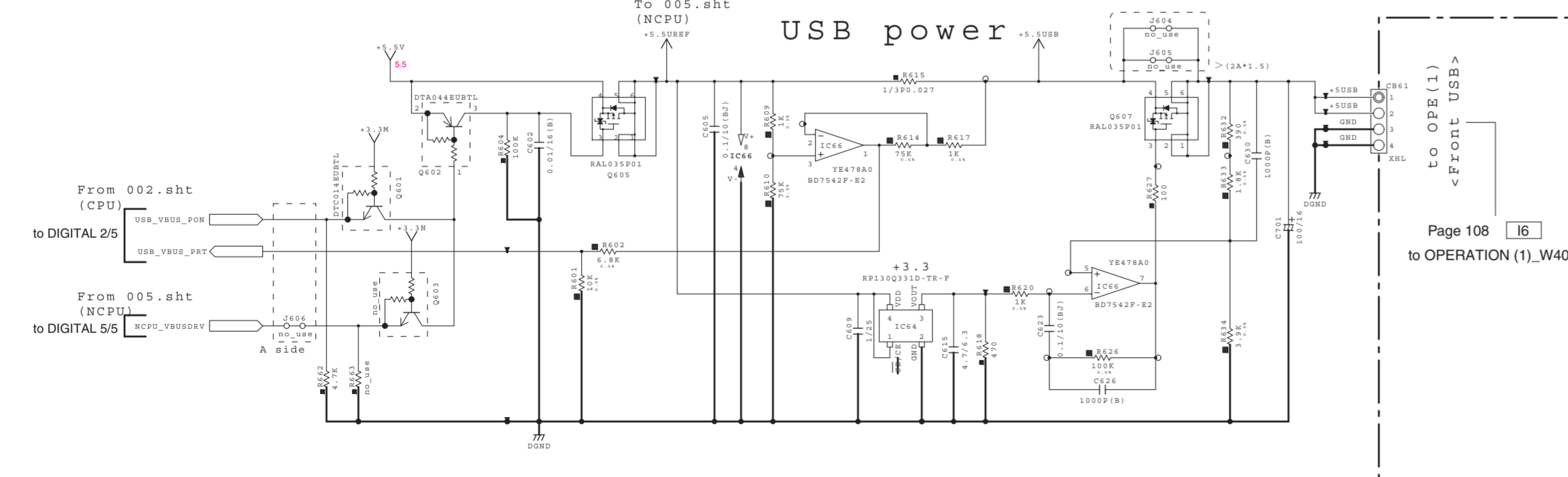
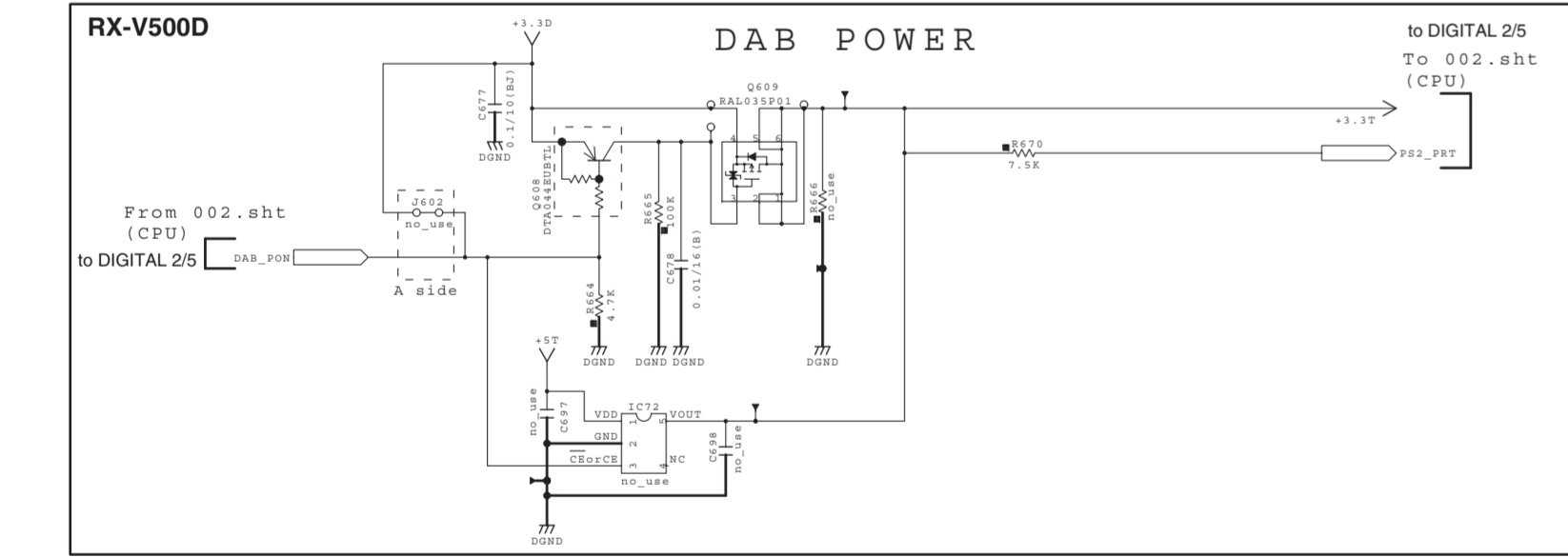
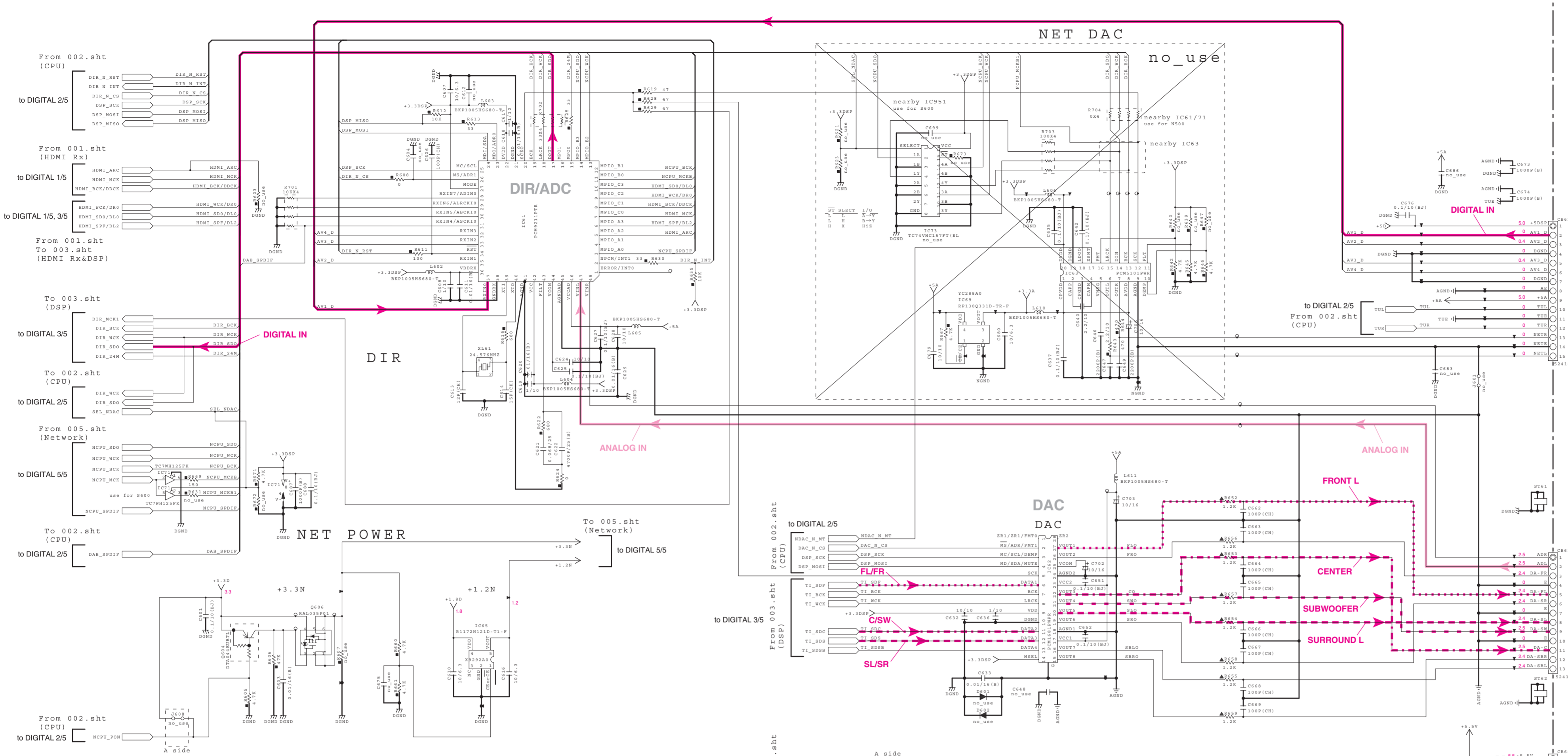
● 電圧は、内部抵抗 10MΩの電圧計で測定したものです。
 ● △印のある部品は、安全性確保部品を示しています。部品の交換が必要な場合、パーツリストに記載されている部品を使用してください。
 ● 本回路図は標準回路図です。改良のため予告なく変更することがあります。

DIGITAL3 : DSP

IC/CB/XL:41-60
 Array R : 501-600
 Poler C : 551-600
 OHTER : 401-600

Pin No.	Symbol	Description
1	CE	Chip Enable Pin
2	GND	Ground Pin
3	Vout	No Connection
4	Vcc	Input Pin
5	Vout	Output Pin of Voltage Regulator

DIGITAL 4/5



IC/CB/XL:61-80
Array R : 701-800
Chemi.C : 701-800
OHTER : 601-800

REMARKS	PARTS NAME	RES
NO MARK	CARBON FILM RESISTOR (P=5)	
NO MARK	CARBON FILM RESISTOR (P=10)	
NO MARK	METAL OXIDE FILM RESISTOR	
NO MARK	METAL FILM RESISTOR	
NO MARK	METAL PLATE RESISTOR	
NO MARK	FIBRE PROOF CARBON FILM RESISTOR	
NO MARK	CEMENT MOLDED RESISTOR	
NO MARK	SEMI VARIABLE RESISTOR	
NO MARK	CHIP RESISTOR	

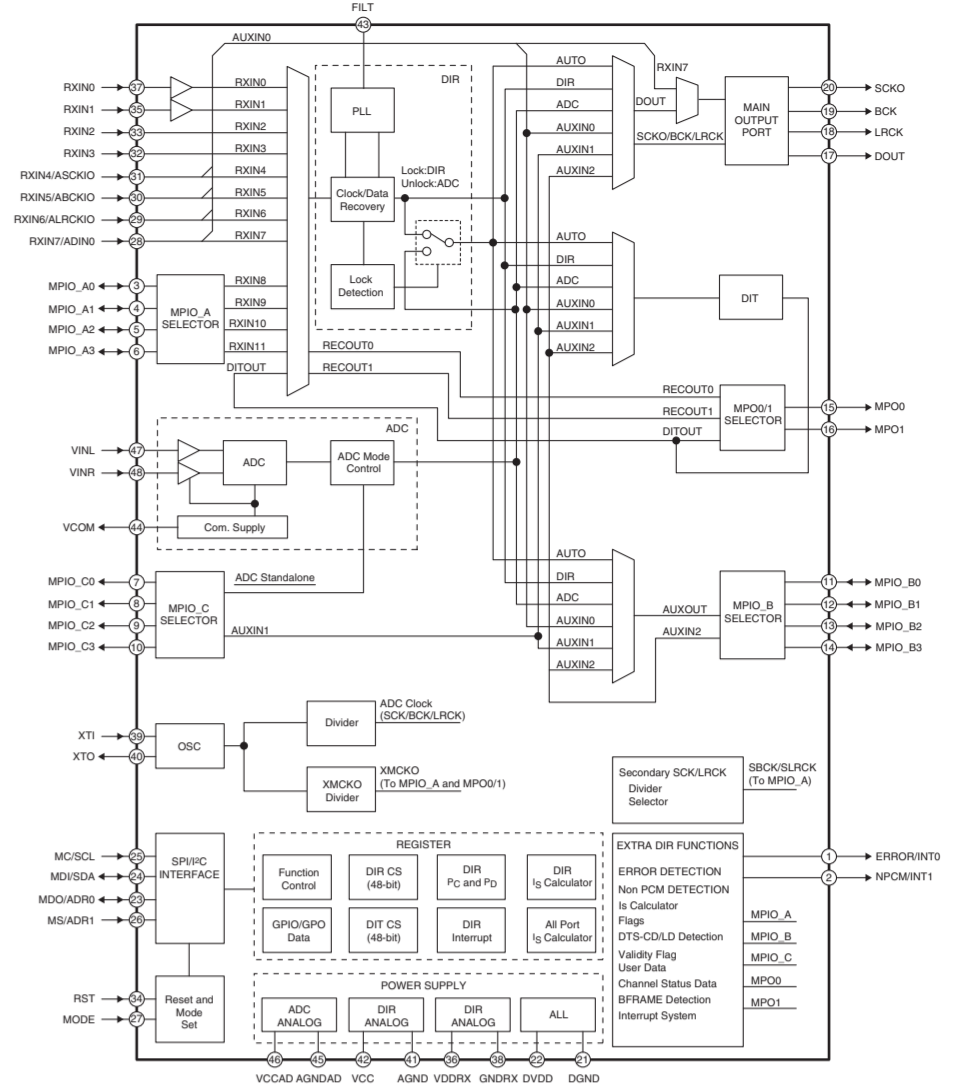
REMARKS	PARTS NAME	RES
NO MARK	ELECTROLYTIC CAPACITOR	
NO MARK	TANTALUM CAPACITOR	
NO MARK	CERAMIC CAPACITOR	
NO MARK	CERAMIC TUBULAR CAPACITOR	
NO MARK	POLYESTER FILM CAPACITOR	
NO MARK	POLYSTYRENE FILM CAPACITOR	
NO MARK	NICA CAPACITOR	
NO MARK	POLYPROPYLENE FILM CAPACITOR	
NO MARK	SEMICONDUCTIVE CERAMIC CAPACITOR	
NO MARK	POLYPHENYLENE SULFIDE FILM CAPACITOR	

NOTICE (model)
(J)..... JAPAN
(U)..... U.S.A
(C)..... CANADA
(E)..... GERMANY
(I)..... CHINA
(K)..... KOREA
(A)..... AUSTRALIA
(B)..... BRITISH
(O)..... EUROPE
(L)..... SINGAPORE
(S)..... SOUTH EUROPE
(V)..... TAIWAN
(F)..... RUSSIAN
(P)..... LATIN AMERICA
(S)..... BRAZIL
(H)..... THAI

★ All voltages are measured with a 10MΩ/V DC electronic voltmeter.
★ Components having special characteristics are marked Δ and must be replaced with parts having specifications equal to those originally installed.
★ Schematic diagram is subject to change without notice.

● 電圧は、内部抵抗 10MΩの電圧計で測定したものです。
● Δ印のある部品は、安全性確保部品を示しています。部品の交換が必要な場合、パーツリストに記載されている部品を使用してください。
● 本回路図は標準回路図です。改良のため予告なく変更することがあります。

IC61: PCM9211PTR
216-kHz digital audio interface transceiver (DIX) with stereo ADC and routing

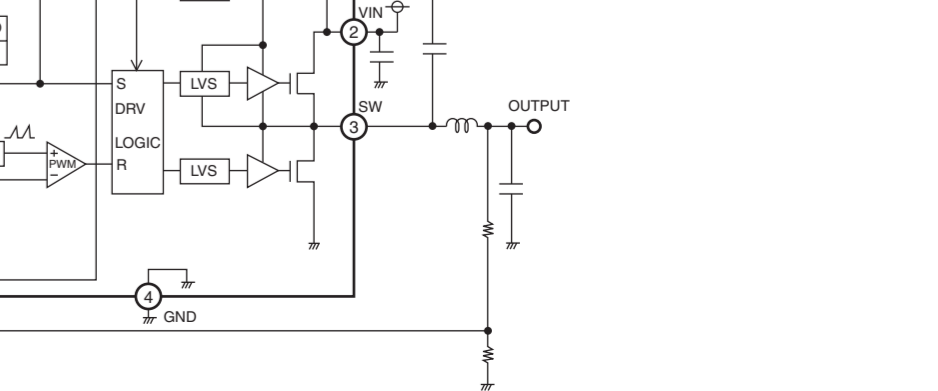
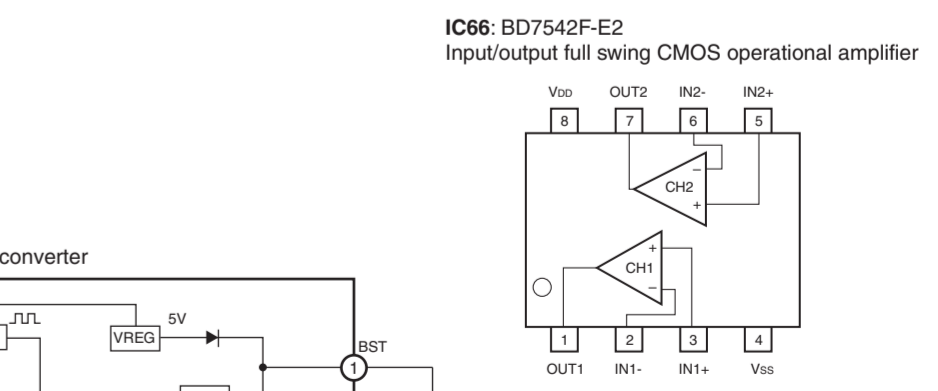
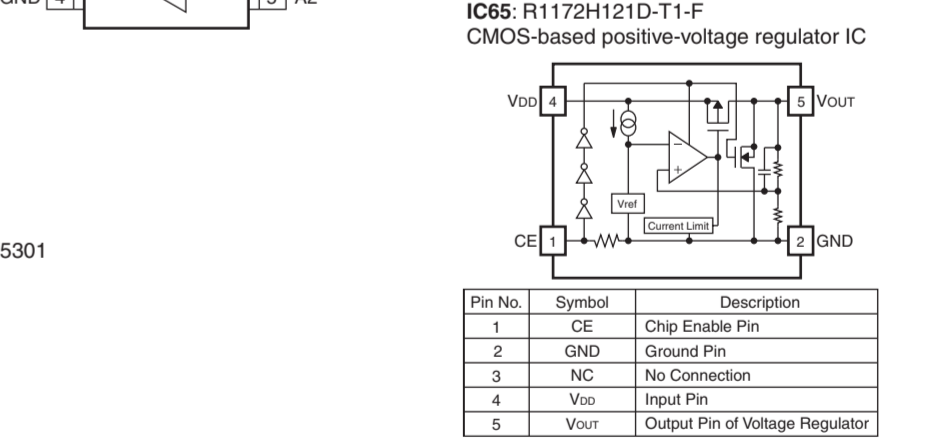
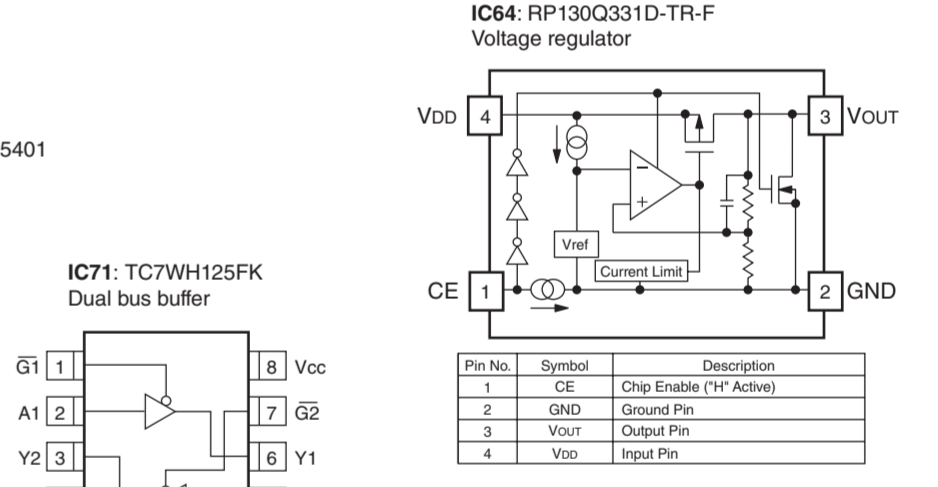
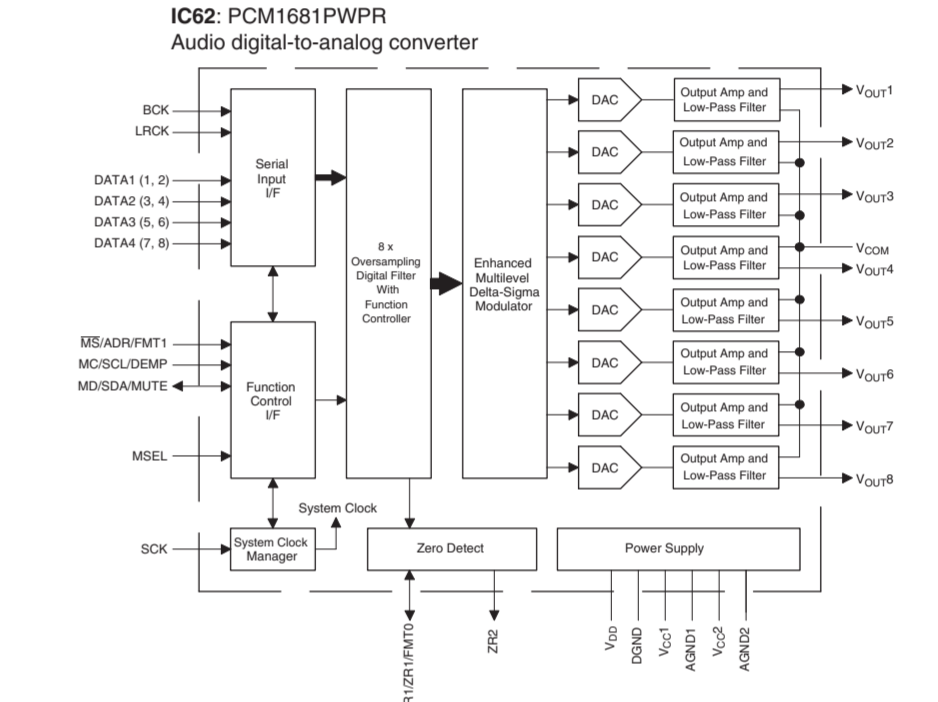


Page 112 J2
to MAIN (3)_CB271

Page 112 C2
to MAIN (2)_CB251

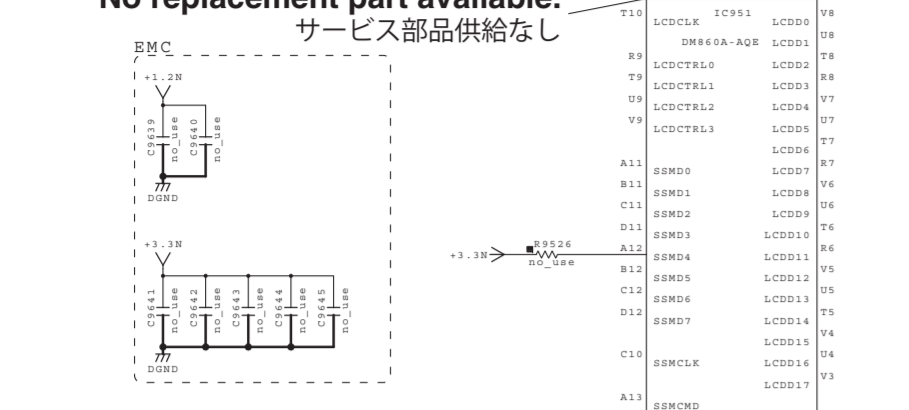
Page 109 K5
to OPERATION (2)_W5401

Page 109 K6
to OPERATION (8)_W5301



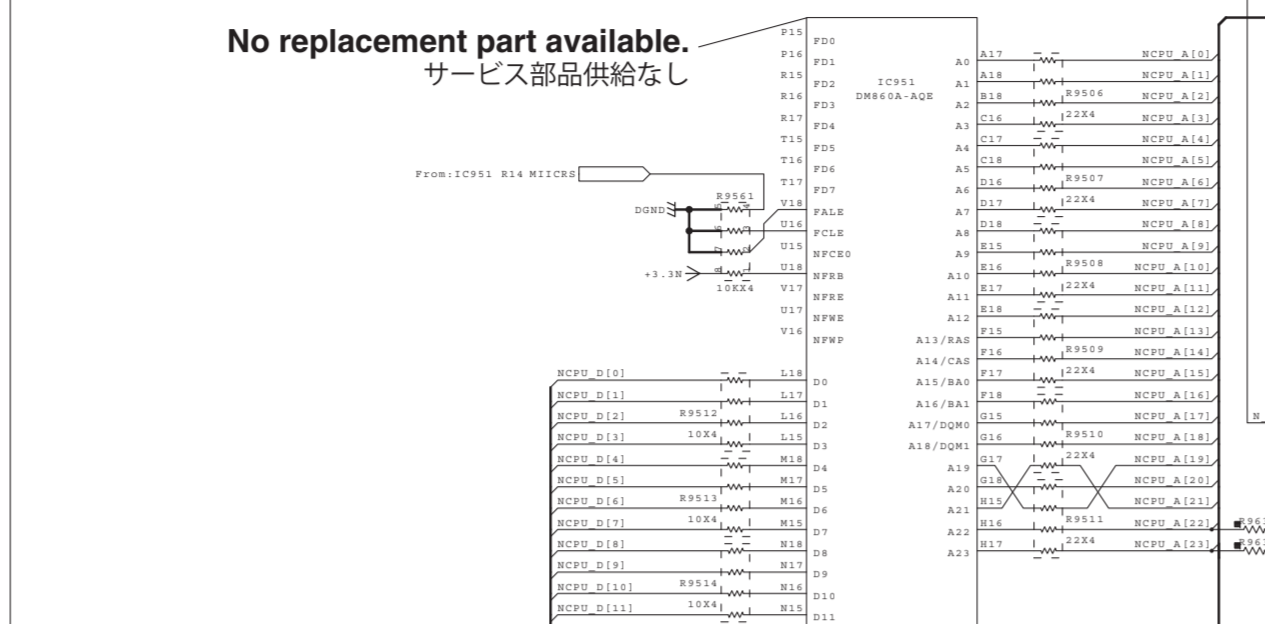
NETWORK MICROPROCESSOR

No replacement part available. サービス部品供給なし

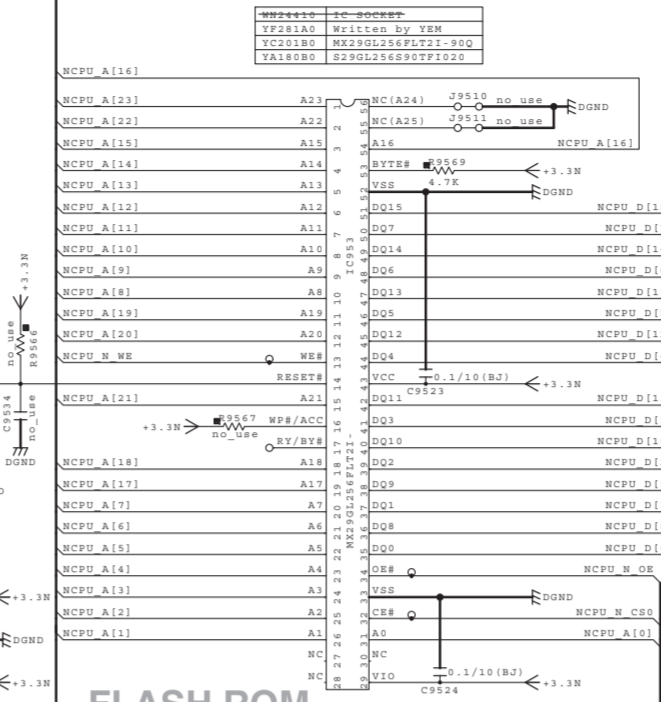


NETWORK MICROPROCESSOR

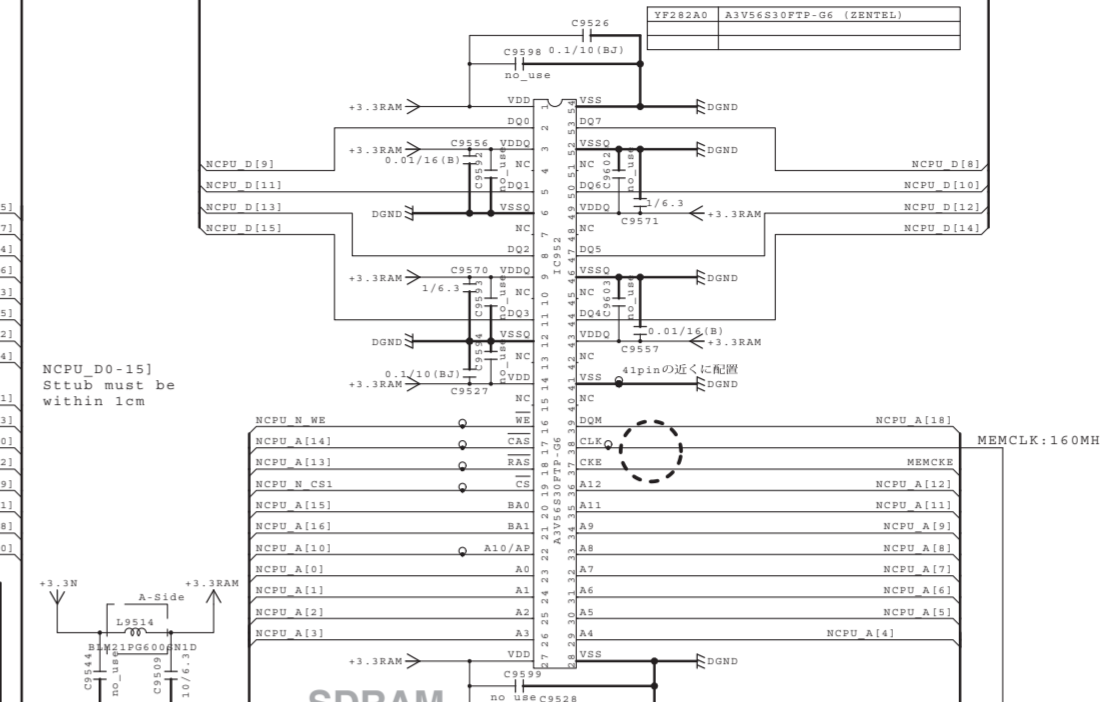
No replacement part available. サービス部品供給なし



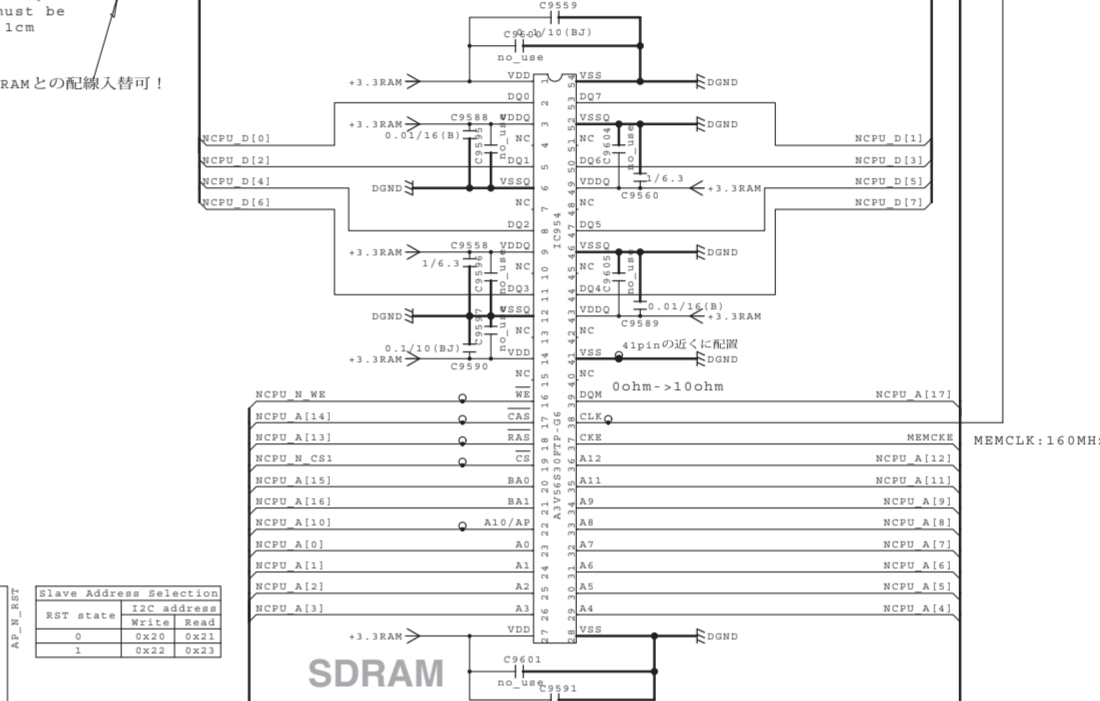
NOR FLASH 256Mbit



SDRAM 256Mbit A-Side

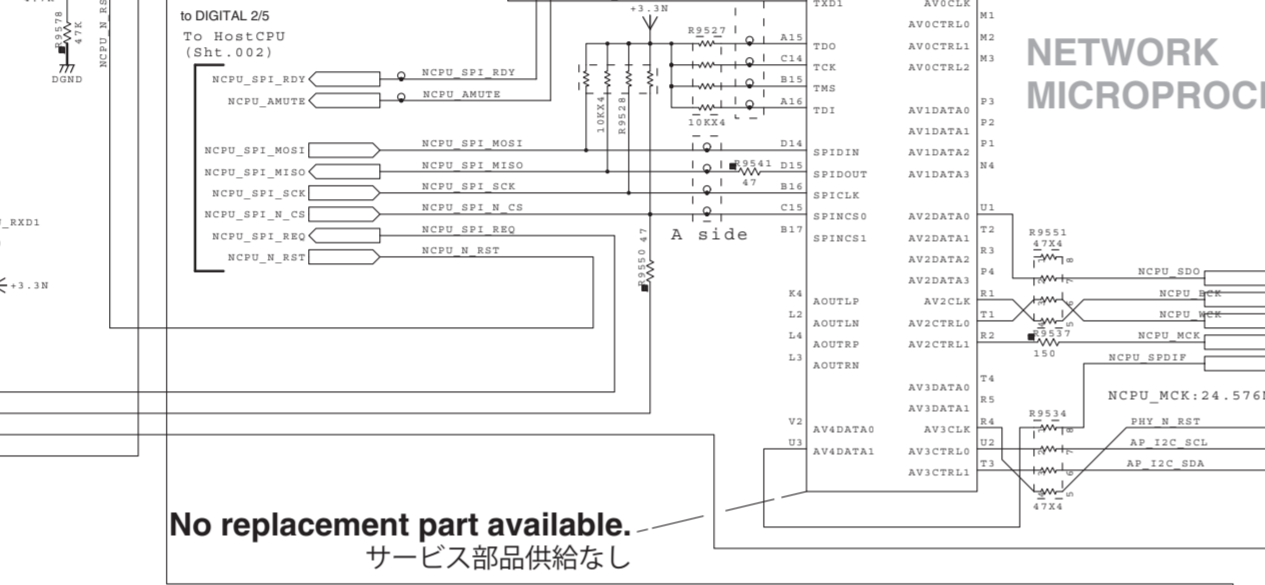


SDRAM 256Mbit B-Side

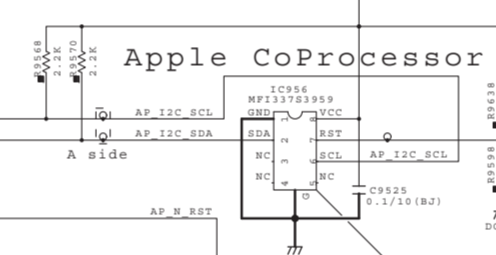


NETWORK MICROPROCESSOR

No replacement part available. サービス部品供給なし



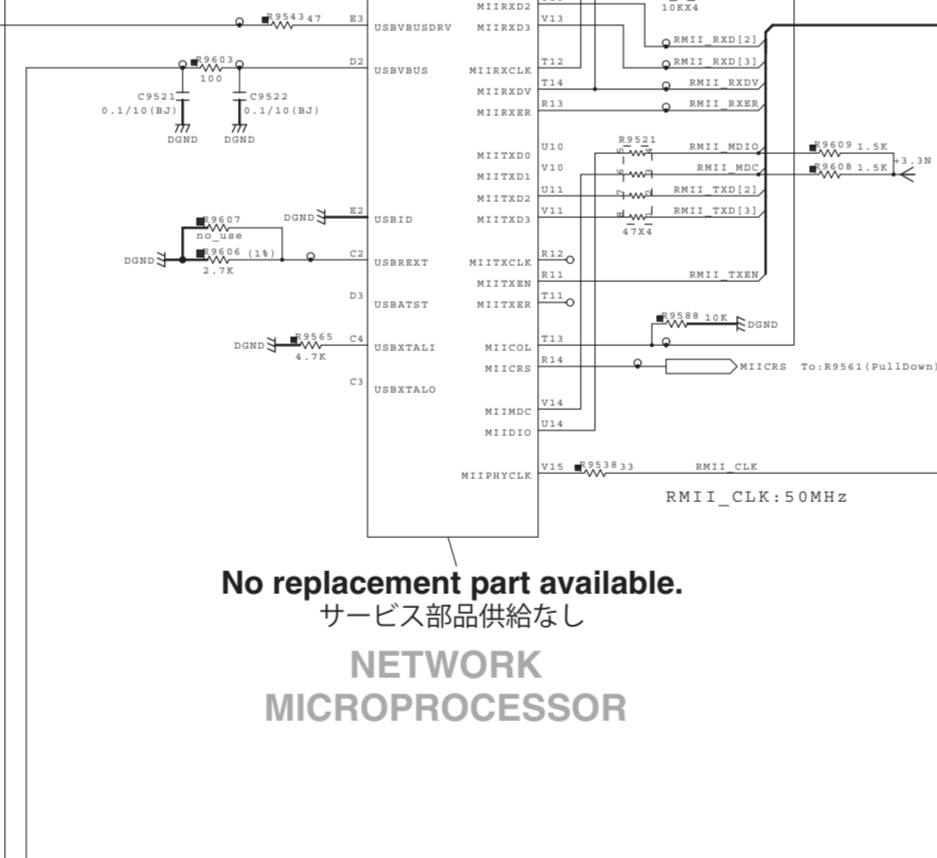
iPod Authentication IC



No replacement part available. サービス部品供給なし

No replacement part available. サービス部品供給なし

NETWORK MICROPROCESSOR

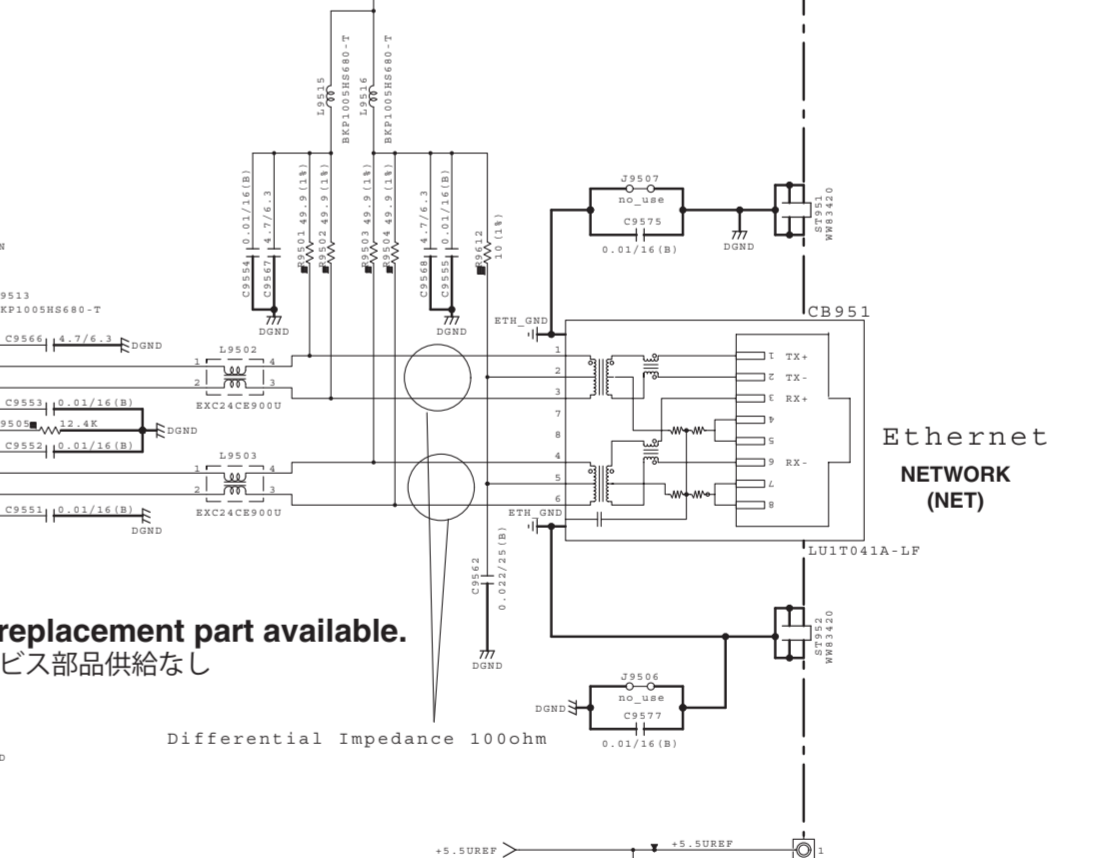


No replacement part available. サービス部品供給なし

ETHERNET PHY CEIVER



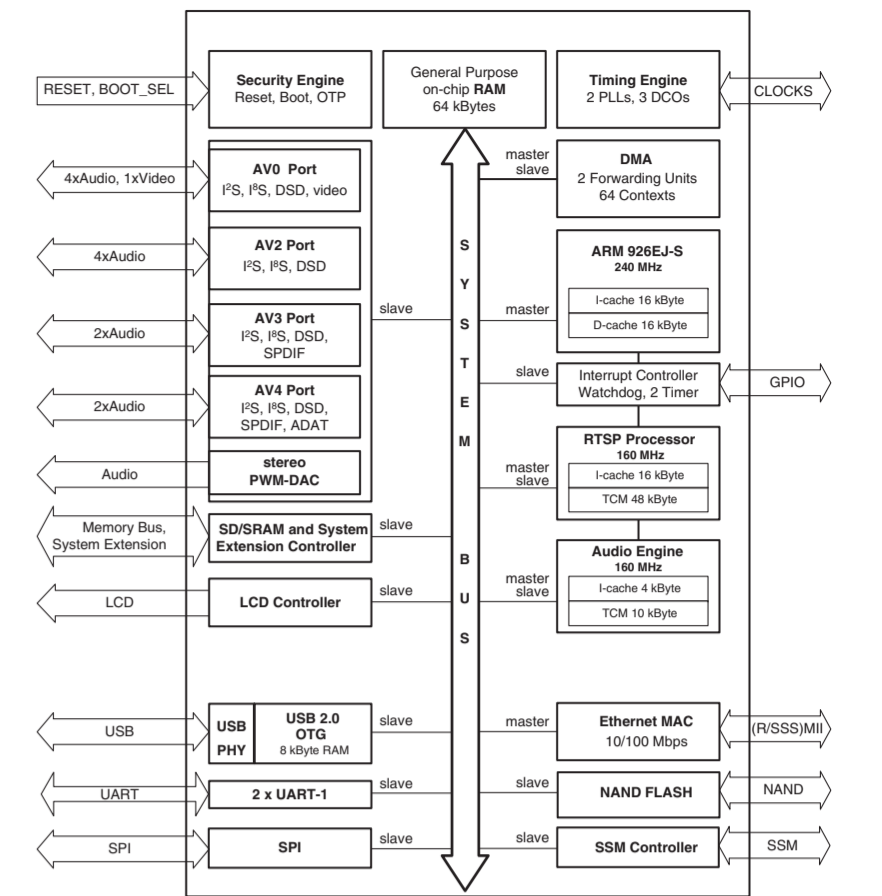
ETHERNET NETWORK (NET)



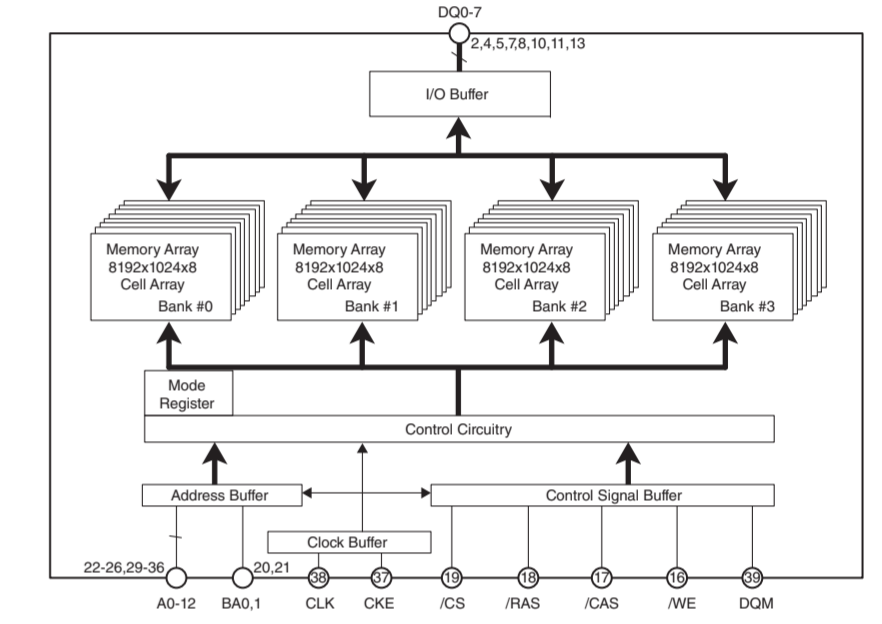
USB



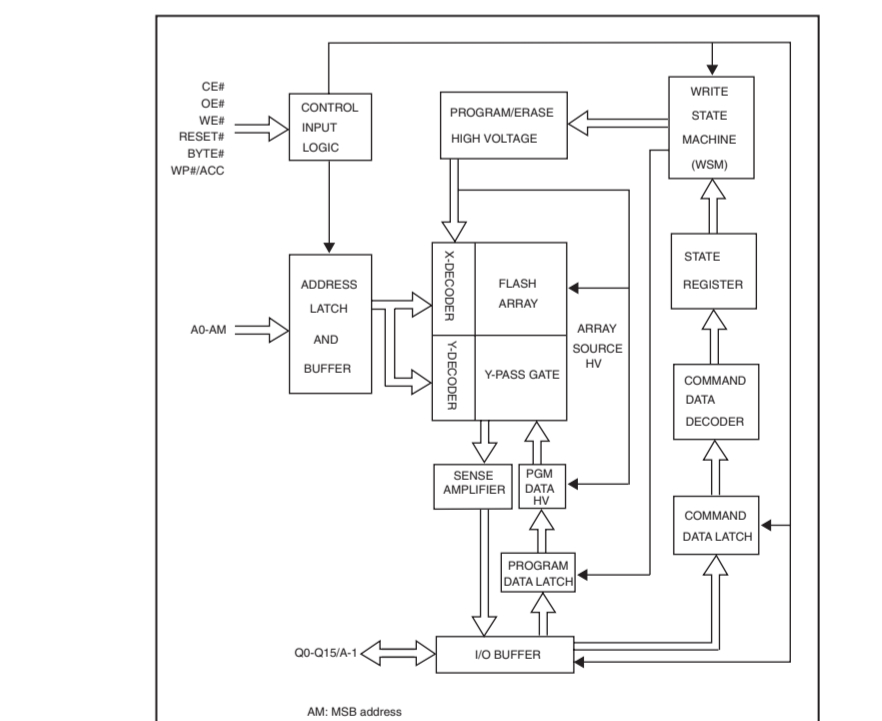
IC951: DM960A-AQE Network microprocessor



IC952: 954: A3V56S30FTP-G6 256 Mb synchronous DRAM



IC953: MX29GL256FLT1-90Q Signal voltage 3V only flash memory



No replacement part available. サービス部品供給なし

NETWORK MICROPROCESSOR



Table with 2 columns: REMARKS and PARTS NAME. Lists various resistor types like Carbon Film Resistor, Metal Oxide Film Resistor, etc.

Table with 2 columns: REMARKS and PARTS NAME. Lists various capacitor types like Electrolytic Capacitor, Tantalum Capacitor, etc.

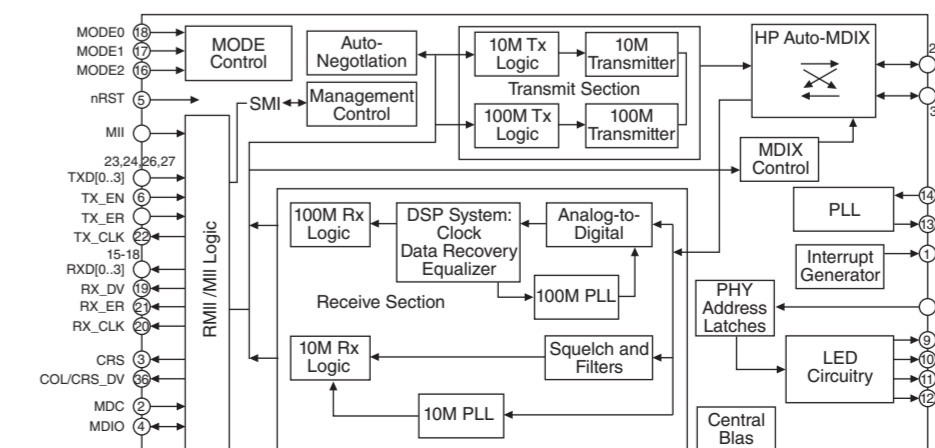
NOTICE (model)

- List of country codes: J (Japan), U (U.S.A.), C (Canada), R (General), T (China), K (Korea), A (Australia), B (British), G (Europe), L (Singapore), S (South Europe), V (Taiwan), P (Russian), B (Latin America), M (Brazil), H (Thai).

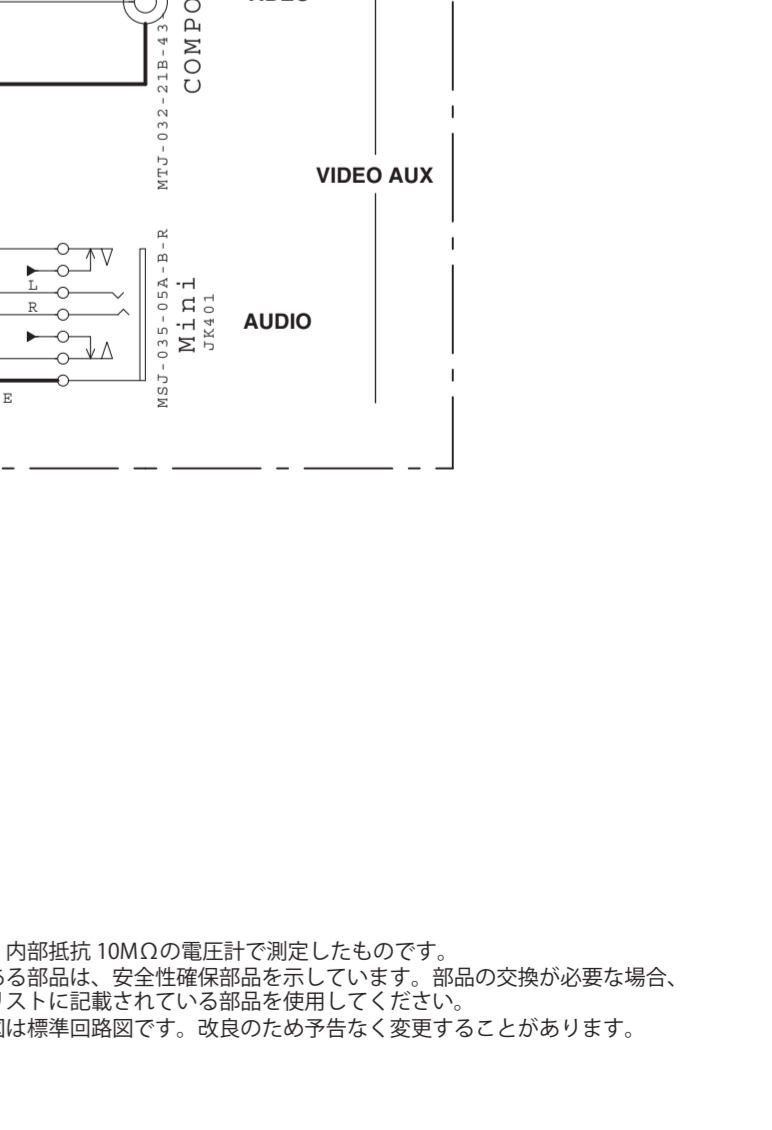
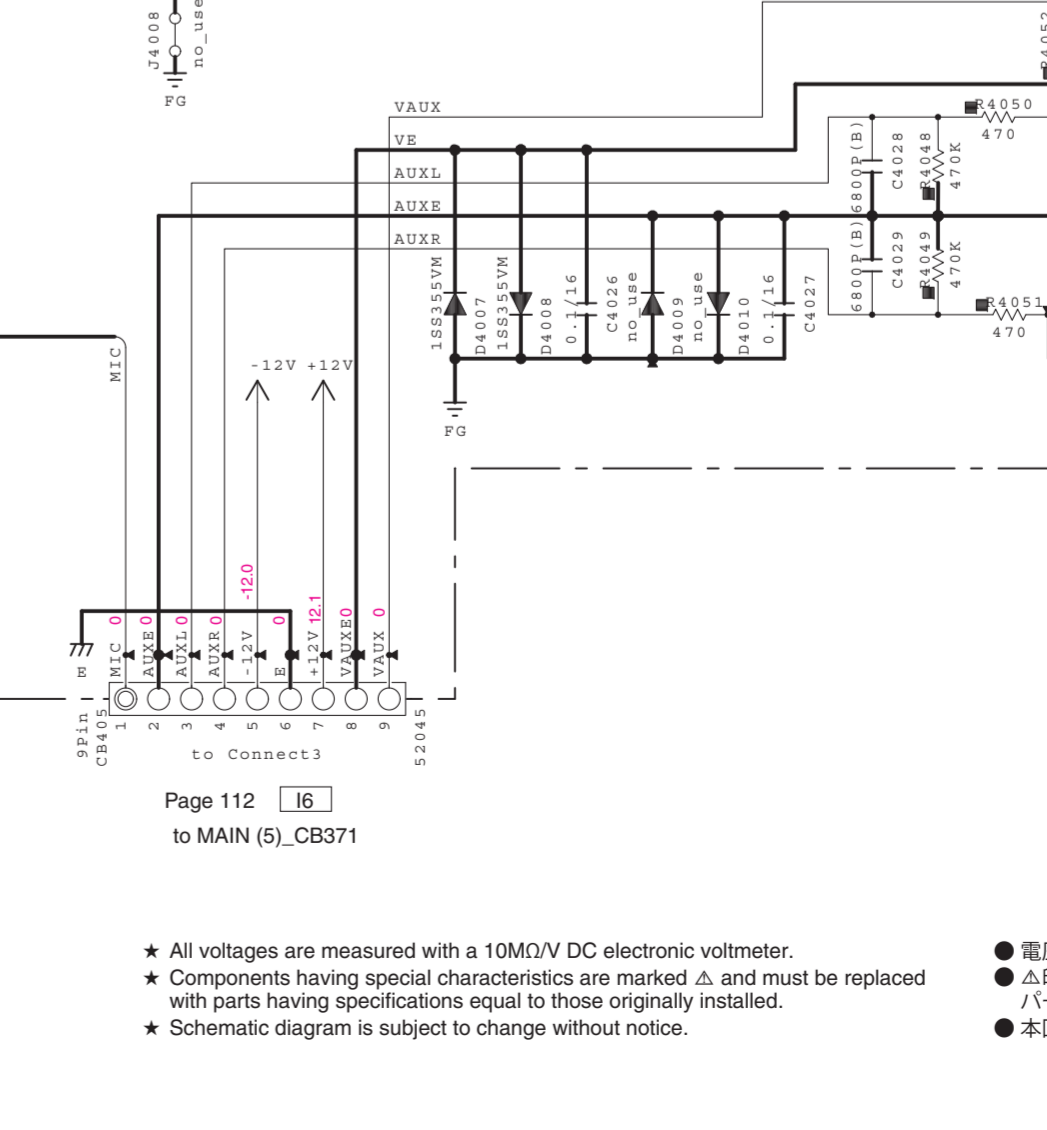
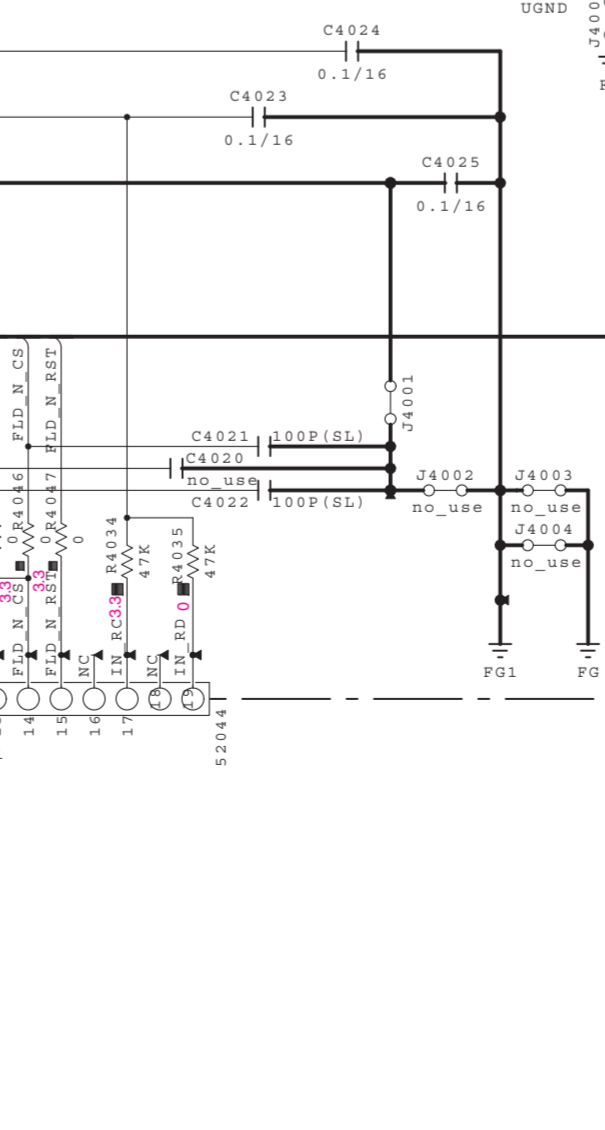
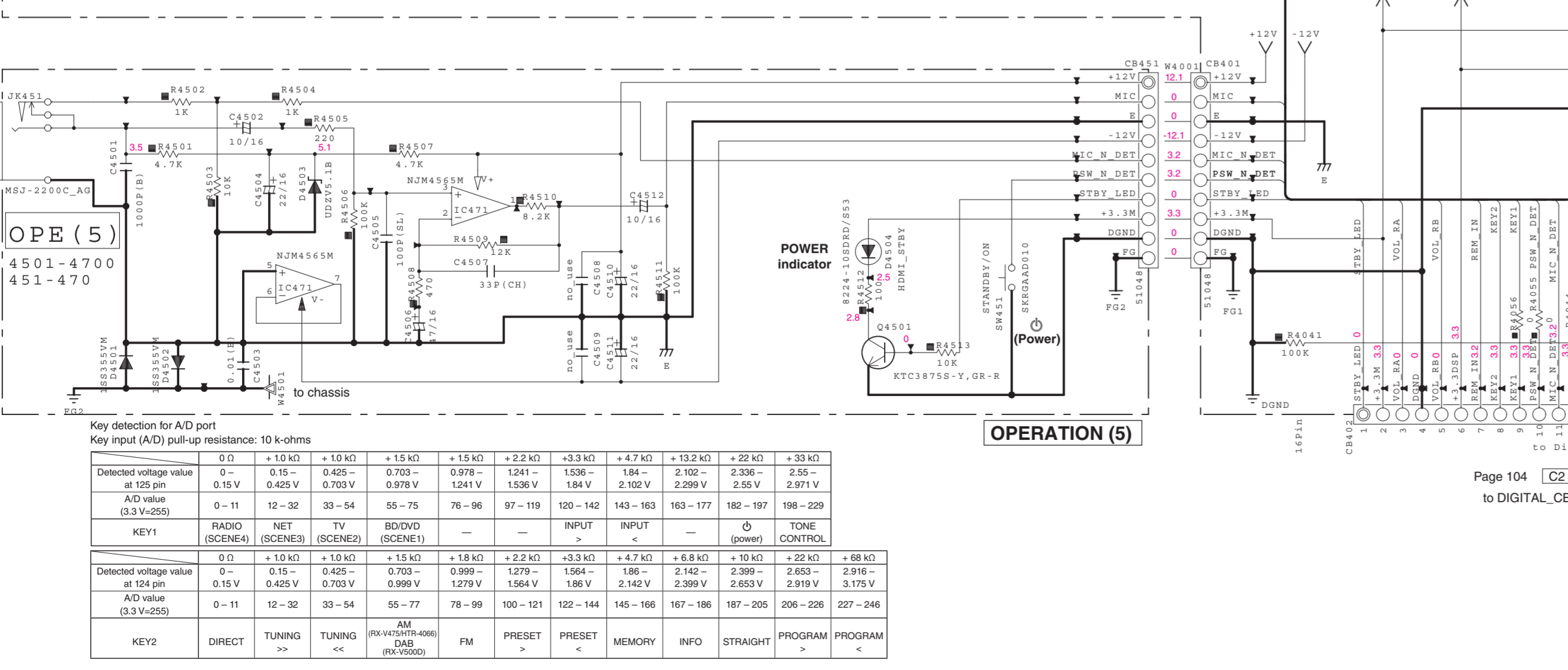
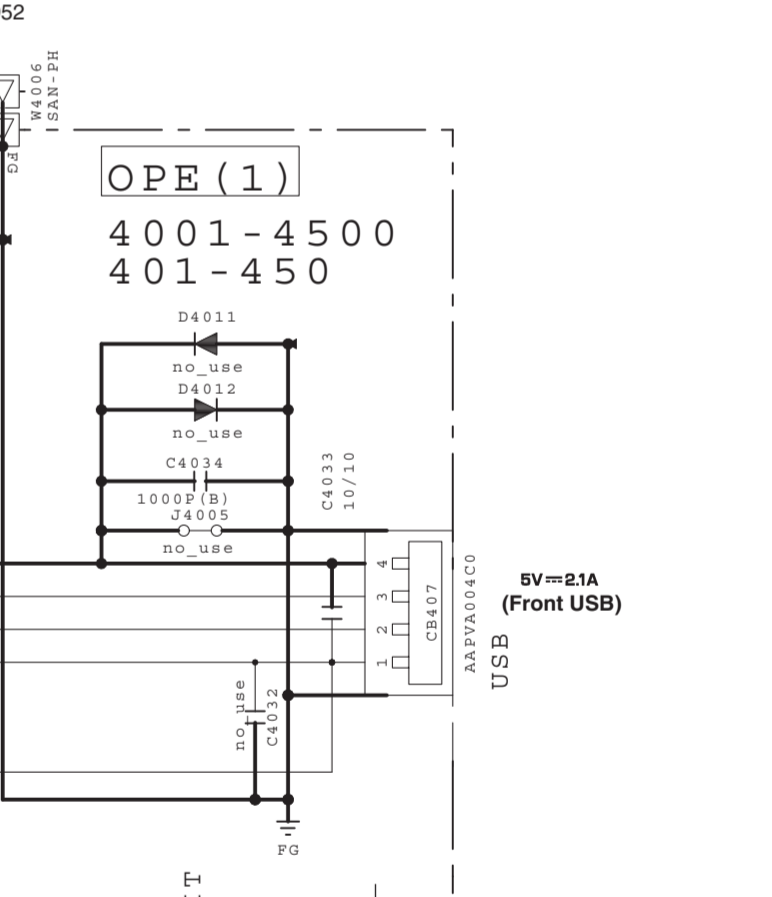
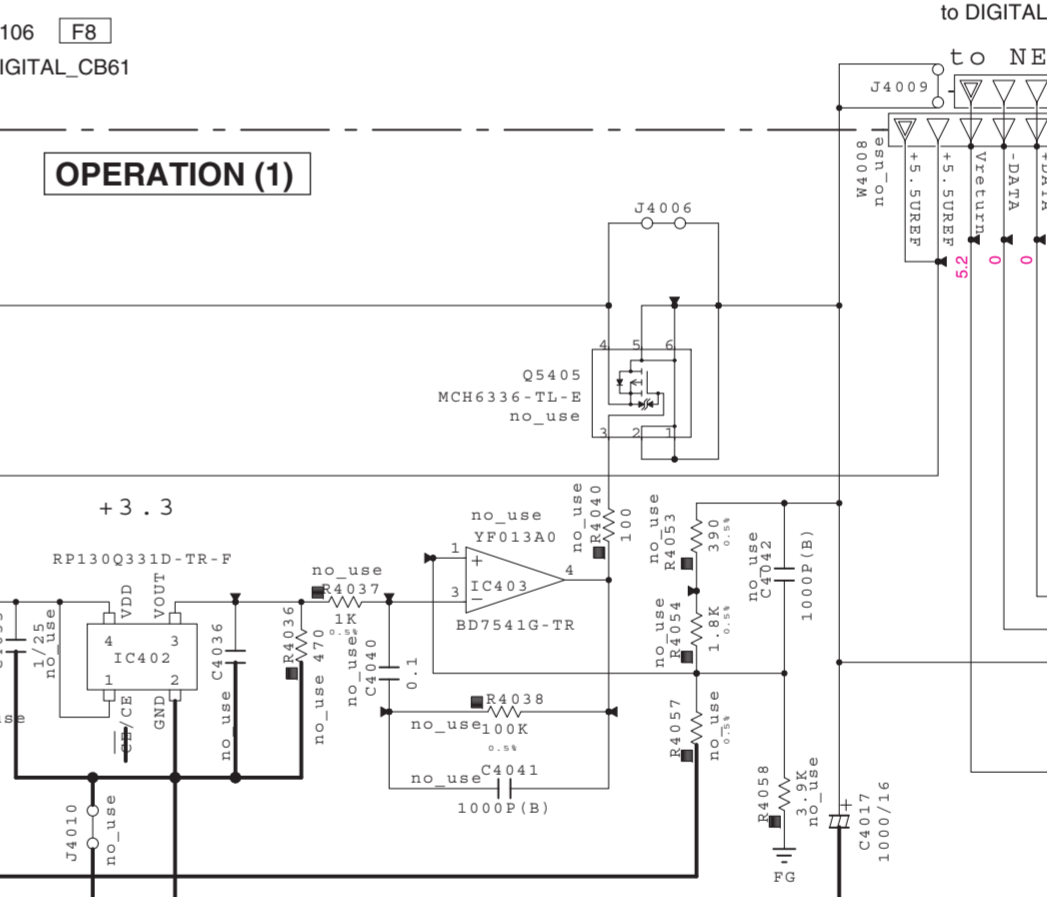
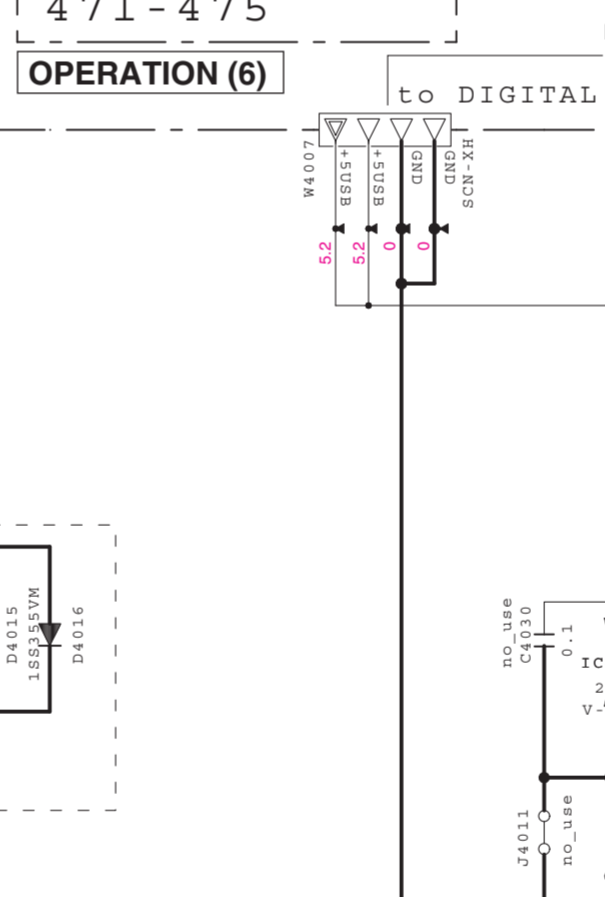
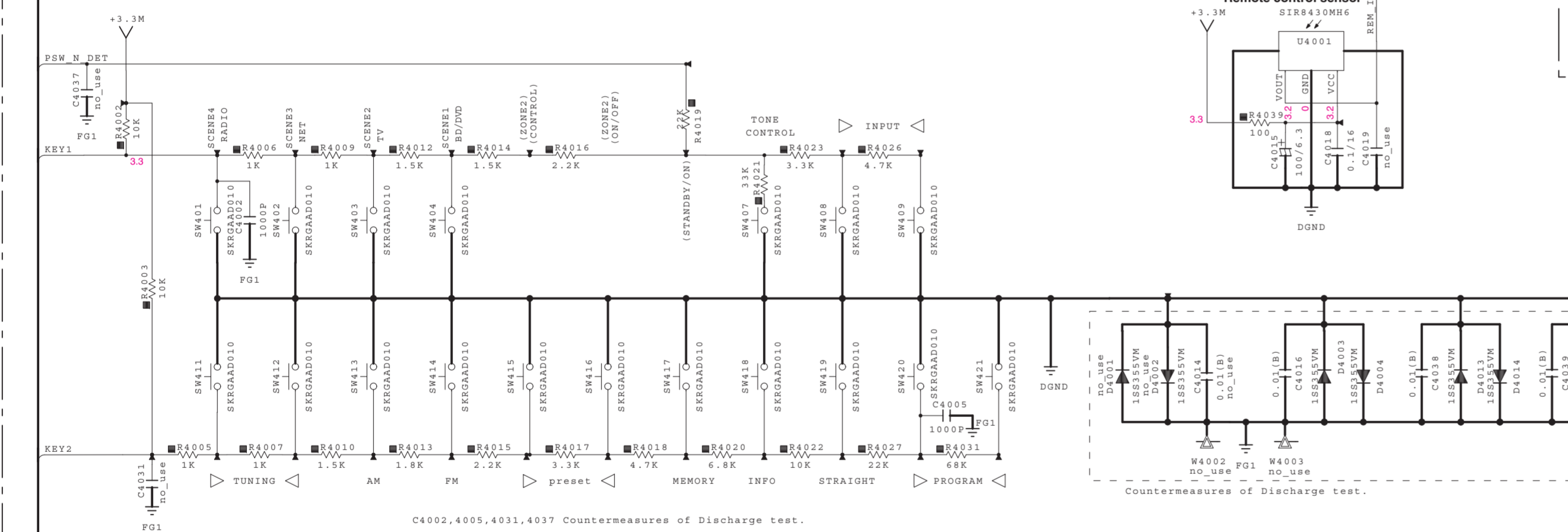
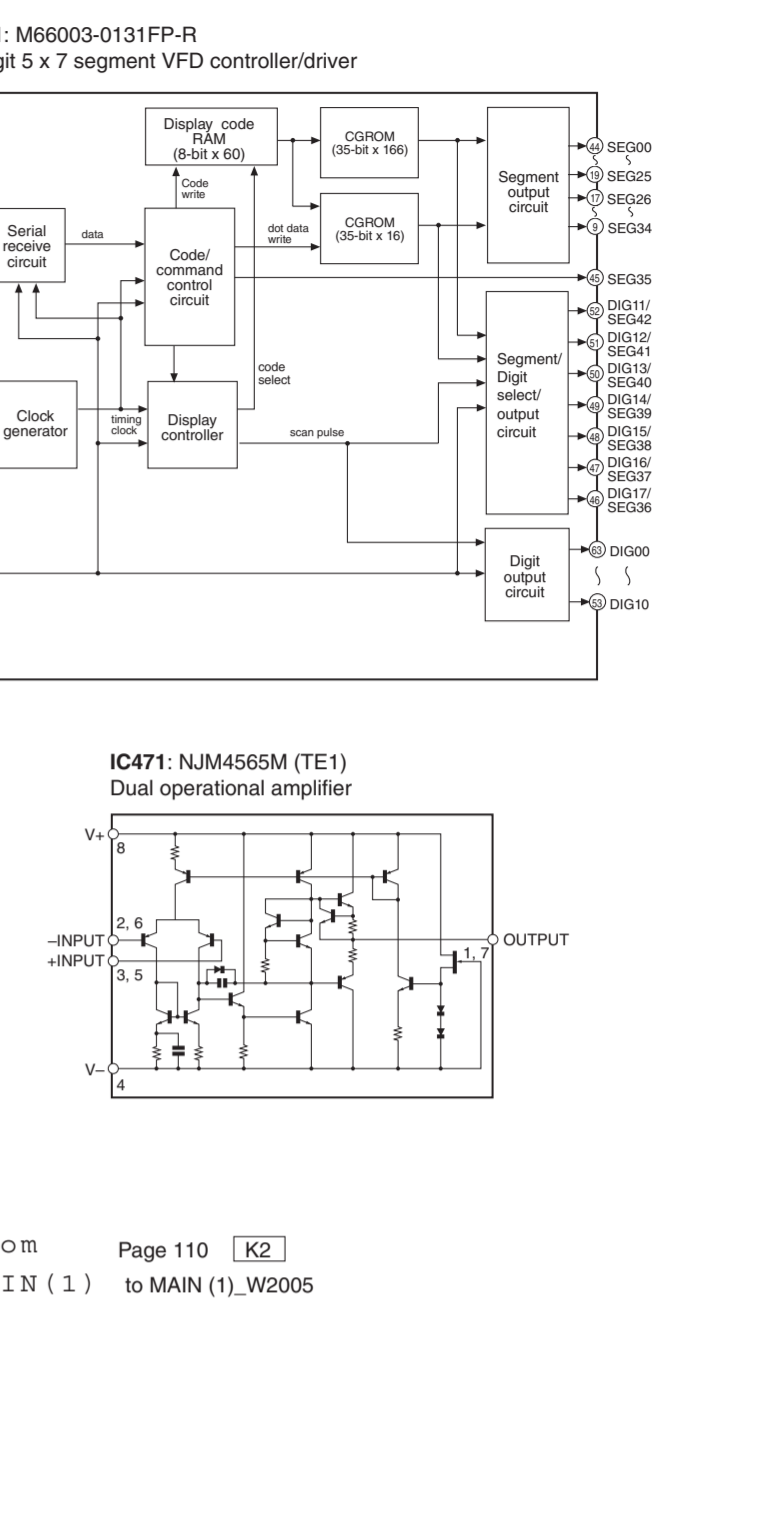
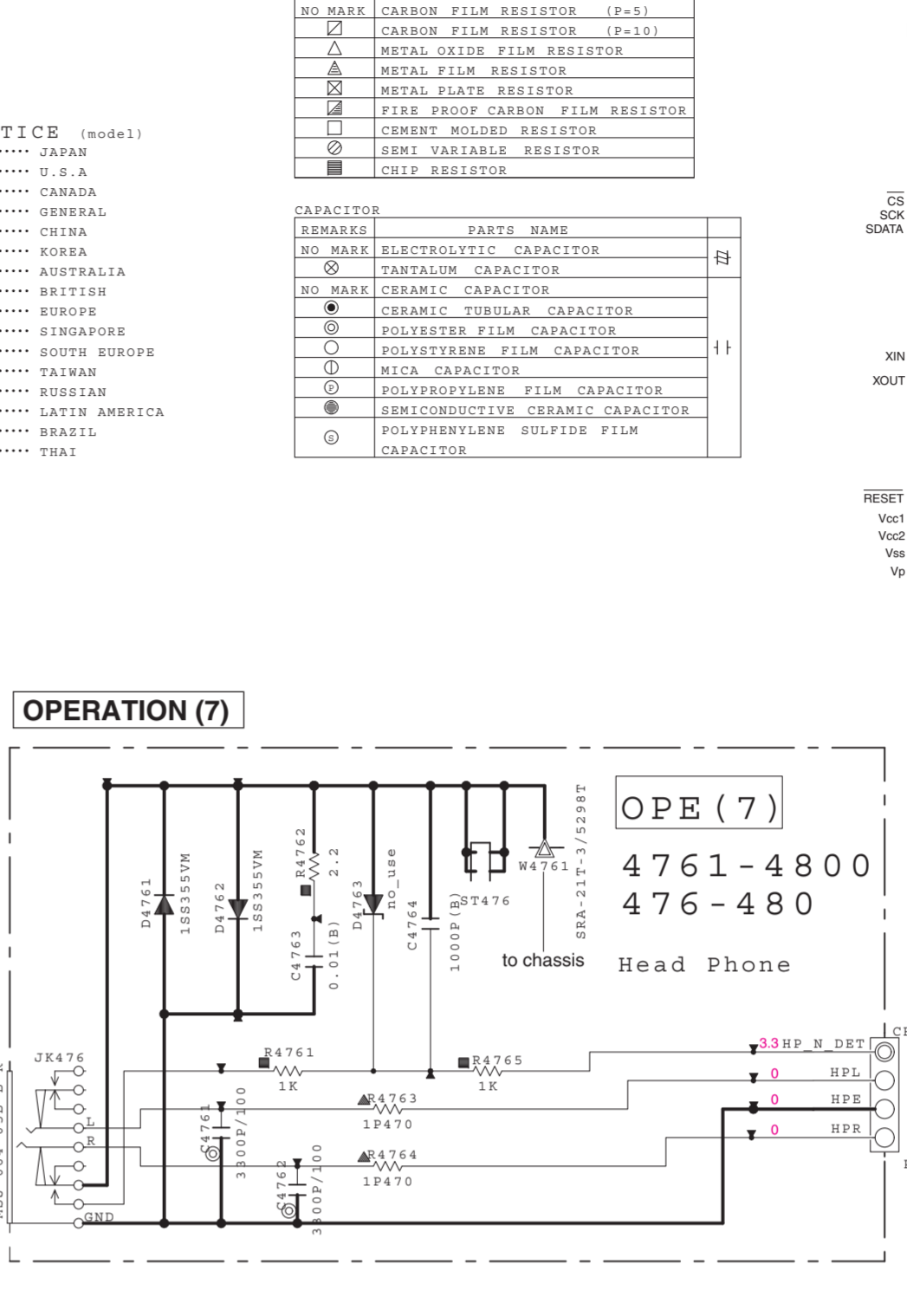
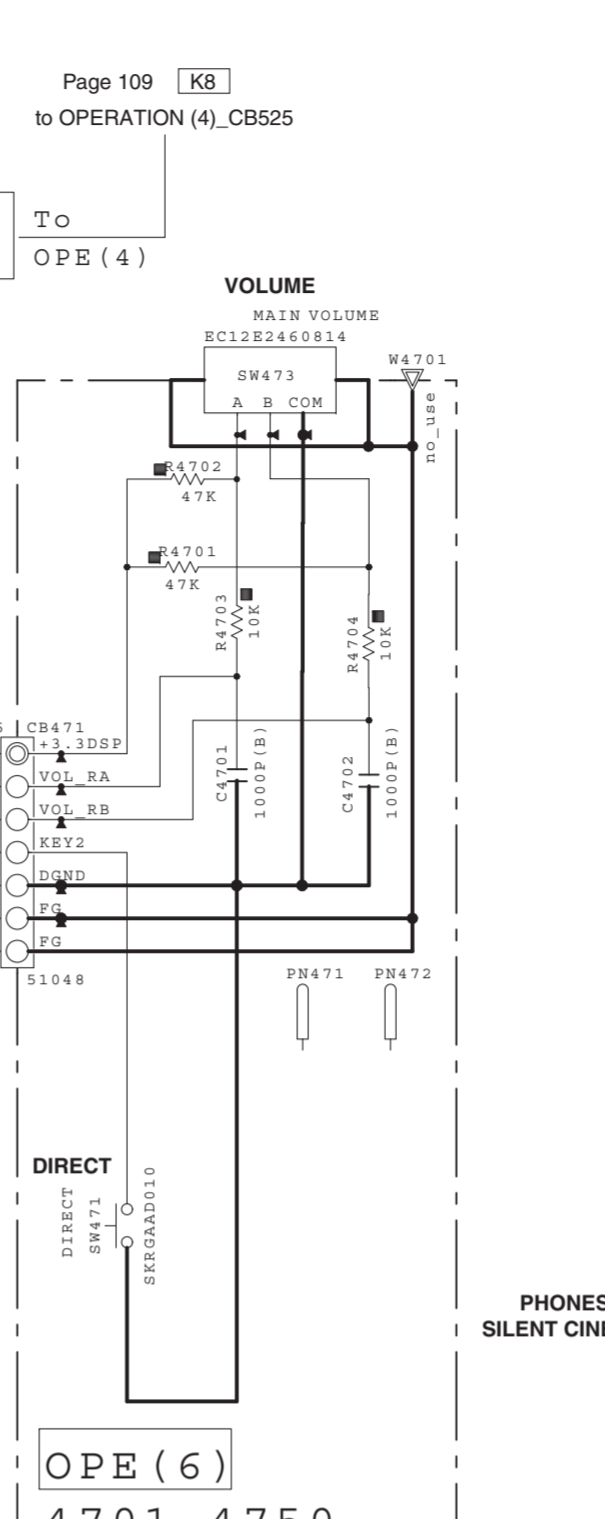
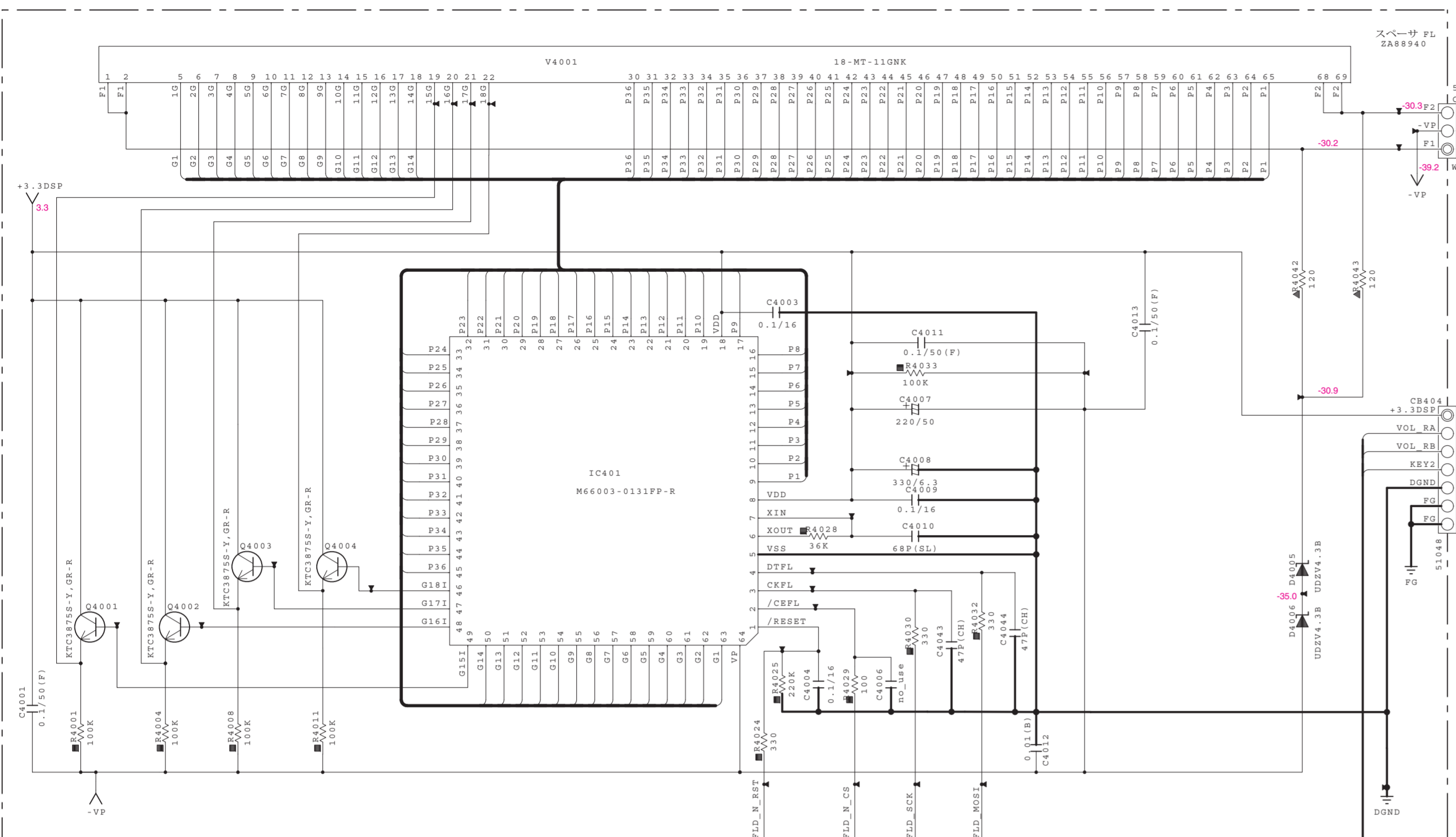
* All voltages are measured with a 10MΩ DC electronic voltmeter. * Components having special characteristics are marked Δ and must be replaced with parts having specifications equal to those originally installed. * Schematic diagram is subject to change without notice.

● 電圧は、内部抵抗 10MΩの電圧計で測定したものです。 ● 印のある部品は、安全性確保部品を示しています。部品の交換が必要な場合、パーツリストに記載されている部品を使用してください。 ● 本回路図は標準回路図です。改良のため予告なく変更することがあります。

IC955: LAN8700C-AEZG-TR BD decoder IC



OPERATION 1/2



Key detection for A/D part
Key input (A/D) pull-up resistance: 10 k-ohms

0 0	+10 kΩ	+10 kΩ	+15 kΩ	+15 kΩ	+2.2 kΩ	+3.3 kΩ	+4.7 kΩ	+13.2 kΩ	+22 kΩ	+33 kΩ	
Detected voltage value at 125 pin	0 - 0.15	0.425 - 0.703	0.978 - 1.241	1.536 - 1.84	2.102 - 2.299	2.55	2.971				
A/D value (3.3V=255)	0 - 11	12 - 32	33 - 54	55 - 75	76 - 96	97 - 119	120 - 142	143 - 163	163 - 177	182 - 197	198 - 229
KEY1	RADIO (SCENE4)	NET (SCENE3)	TV (SCENE2)	BD/DVD (SCENE1)	-	-	INPUT	INPUT	⊙	⊙	⊙
											TO NE

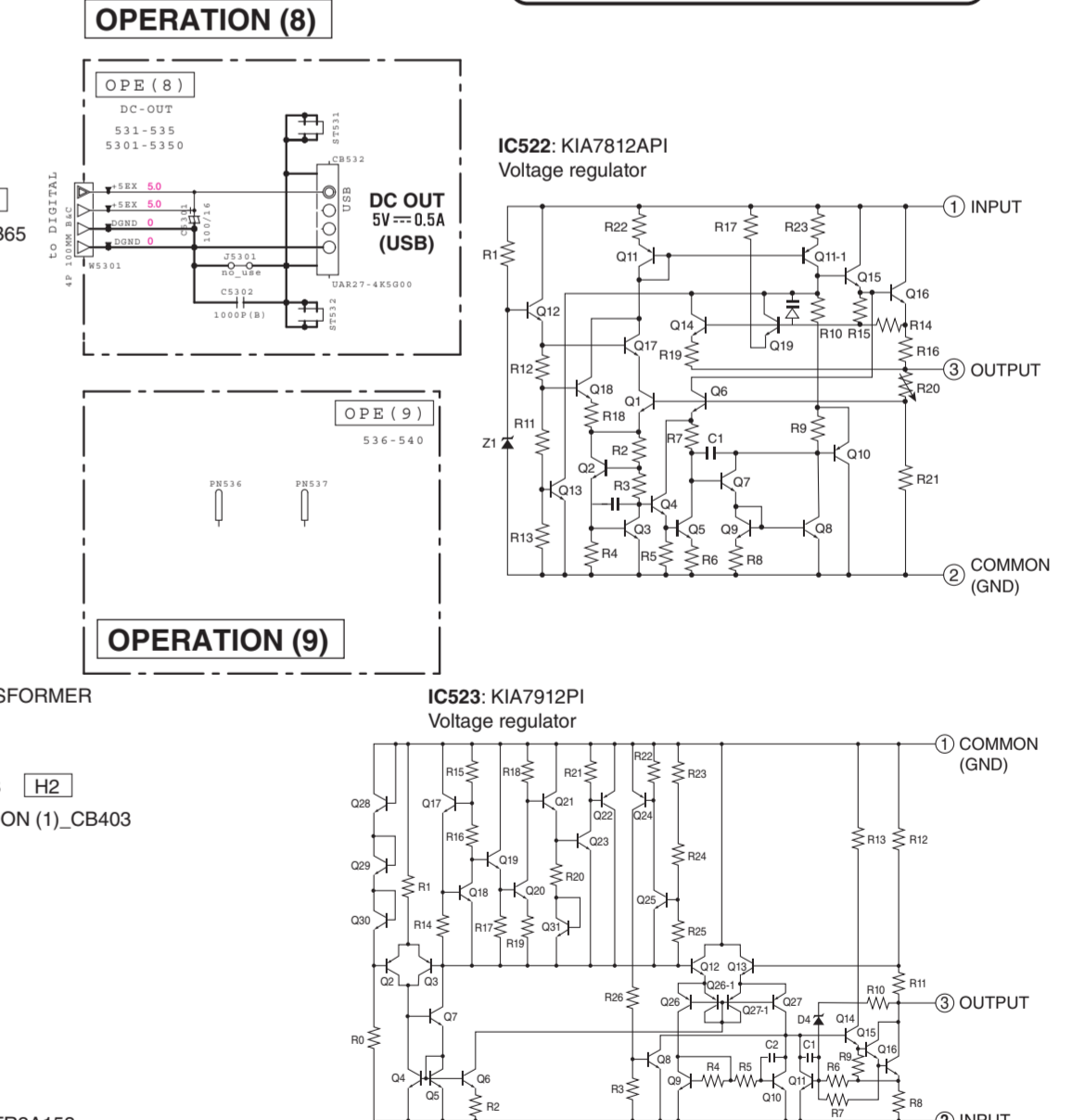
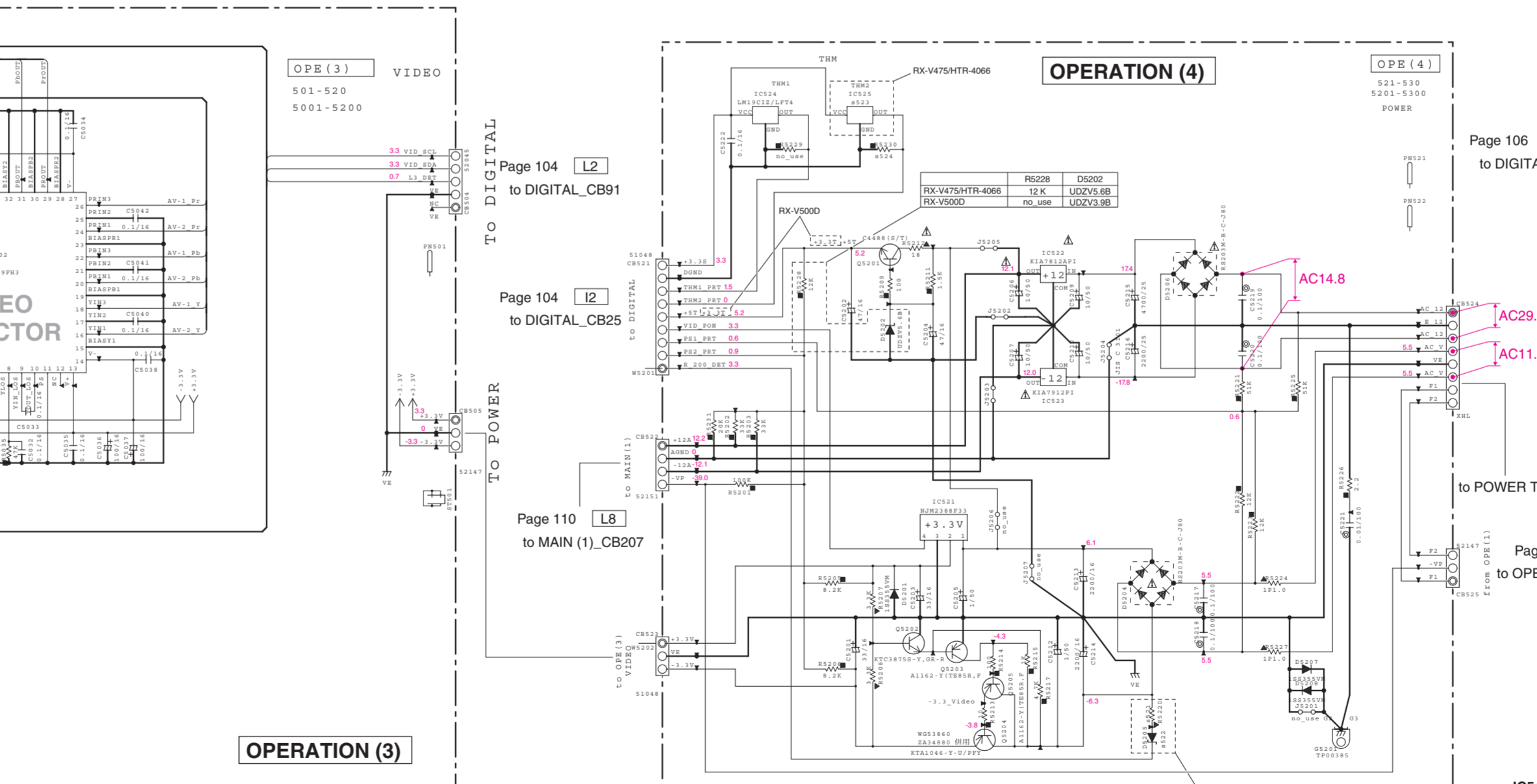
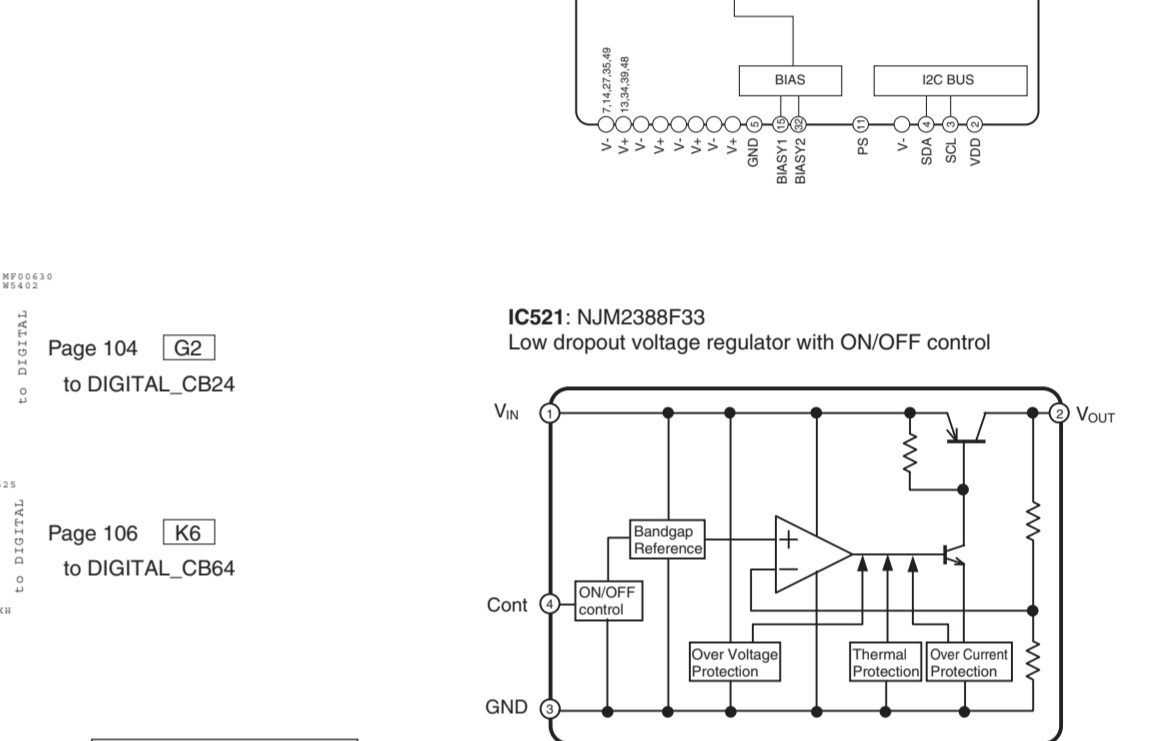
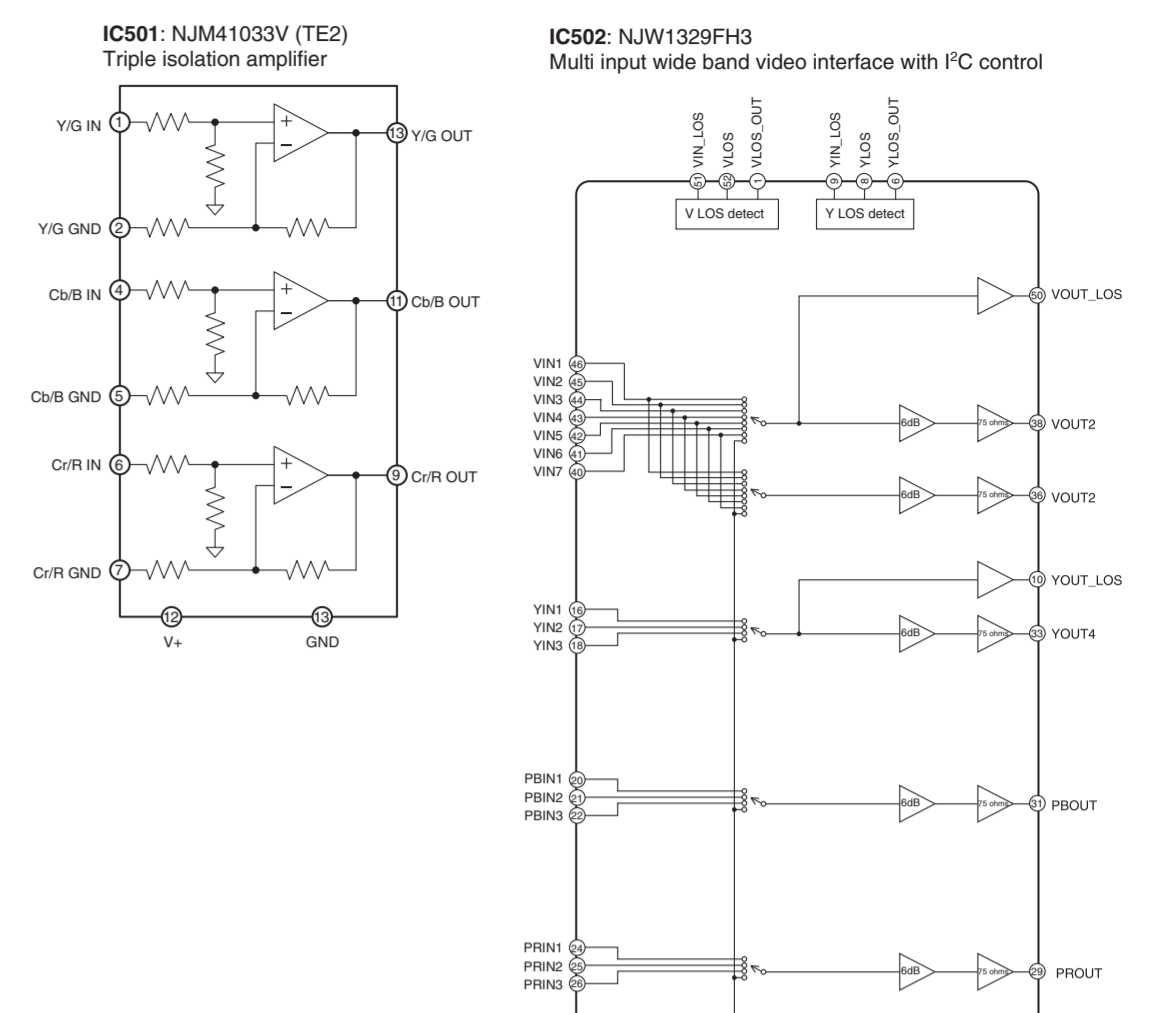
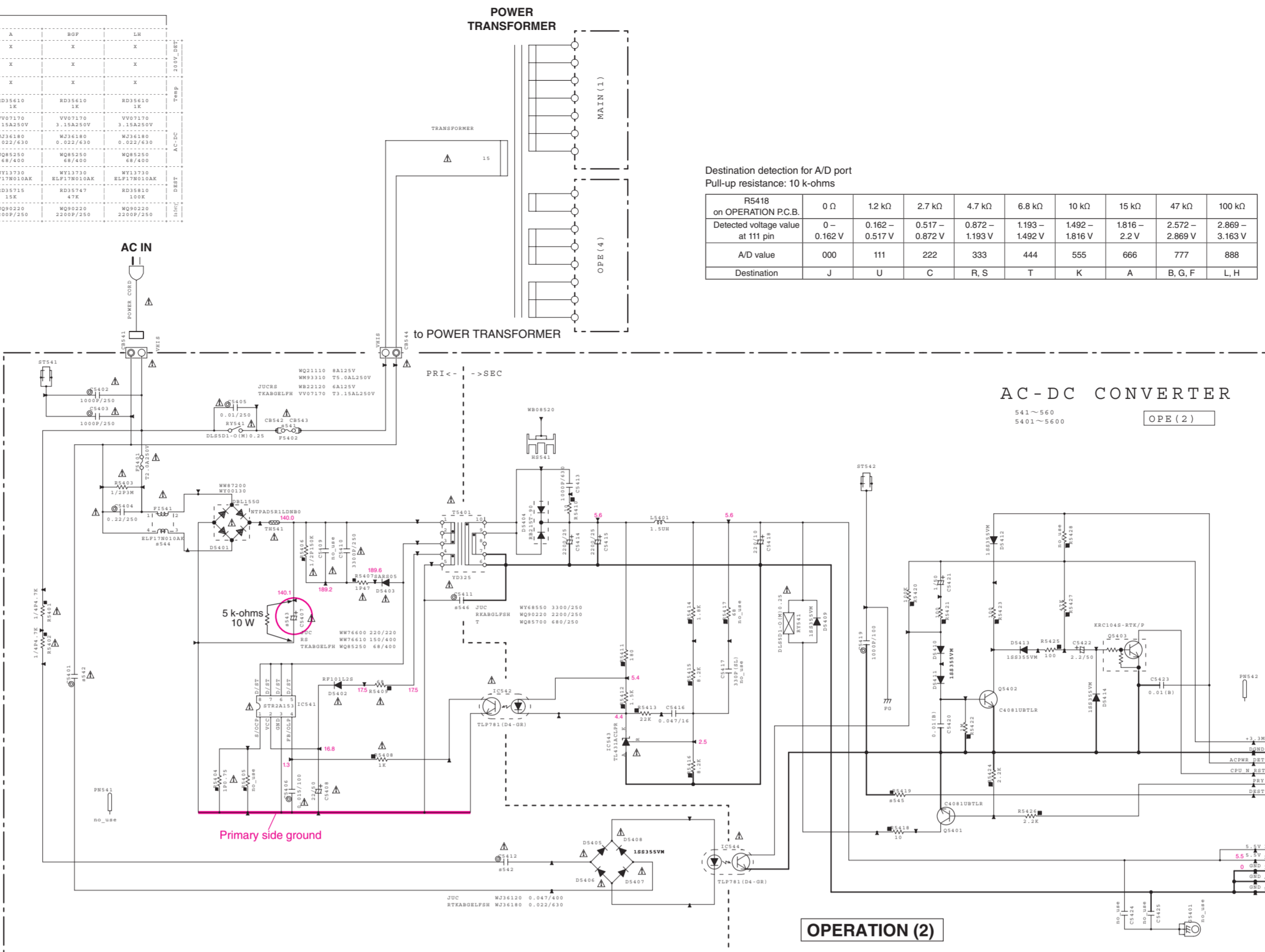
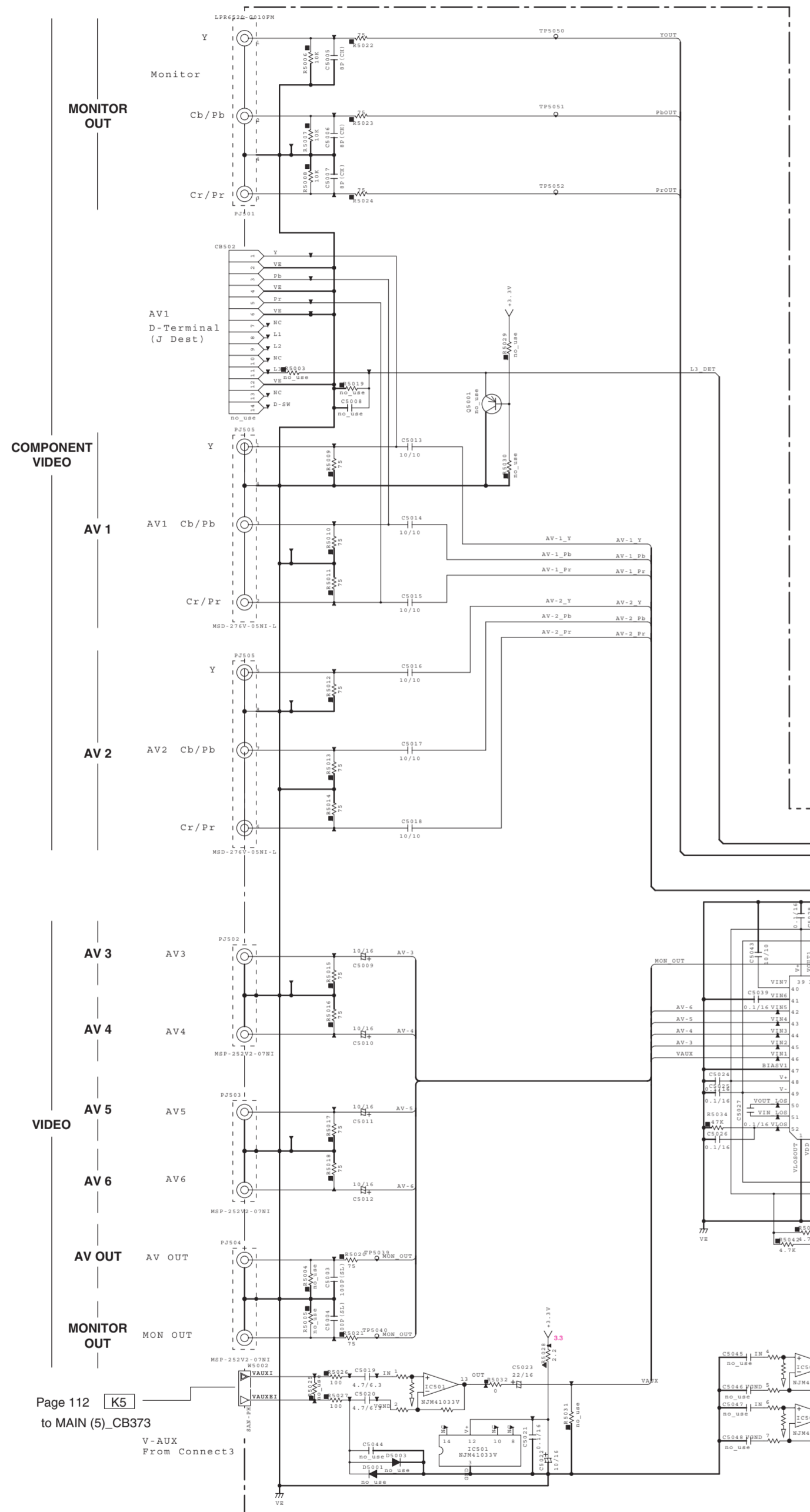
0 0	+10 kΩ	+10 kΩ	+15 kΩ	+15 kΩ	+2.2 kΩ	+3.3 kΩ	+4.7 kΩ	+6.8 kΩ	+10 kΩ	+22 kΩ	+33 kΩ	
Detected voltage value at 124 pin	0 - 0.15	0.425 - 0.703	0.999 - 1.279	1.564 - 1.86	2.142 - 2.399	2.653	2.919	3.175				
A/D value (3.3V=255)	0 - 11	12 - 32	33 - 54	55 - 77	78 - 99	100 - 121	122 - 144	145 - 166	167 - 186	187 - 205	206 - 226	227 - 246
KEY2	DIRECT	TUNING >>	TUNING <<	AM (RX-V475/HTR-4066) DAB (RX-V500D)	FM	PRESET >	PRESET <	MEMORY	INFO	STRAIGHT	PROGRAM >	PROGRAM <

* All voltages are measured with a 10MΩV DC electronic voltmeter.
 * Components having special characteristics are marked Δ and must be replaced with parts having specifications equal to those originally installed.
 * Schematic diagram is subject to change without notice.

●電圧は、内部抵抗 10MΩの電圧計で測定したものです。
 ●△印のある部品は、安全性確保部品を示しています。部品の交換が必要な場合、パーツリストに記載されている部品を使用してください。
 ●本回路図は標準回路図です。改良のため予告なく変更することがあります。

DESTINATION PART LIST

REF	LOC	QTY	UOM	DESCRIPTION	REF	LOC	QTY	UOM	DESCRIPTION
A401	R0200	X	X	RES100 1/4W	B01	100	X	X	RES100 1/4W
A402	R0200	X	X	RES100 1/4W	B02	100	X	X	RES100 1/4W
A403	R0200	X	X	RES100 1/4W	B03	100	X	X	RES100 1/4W
A404	R0200	X	X	RES100 1/4W	B04	100	X	X	RES100 1/4W
A405	R0200	X	X	RES100 1/4W	B05	100	X	X	RES100 1/4W
A406	R0200	X	X	RES100 1/4W	B06	100	X	X	RES100 1/4W
A407	R0200	X	X	RES100 1/4W	B07	100	X	X	RES100 1/4W
A408	R0200	X	X	RES100 1/4W	B08	100	X	X	RES100 1/4W
A409	R0200	X	X	RES100 1/4W	B09	100	X	X	RES100 1/4W
A410	R0200	X	X	RES100 1/4W	B10	100	X	X	RES100 1/4W
A411	R0200	X	X	RES100 1/4W	B11	100	X	X	RES100 1/4W
A412	R0200	X	X	RES100 1/4W	B12	100	X	X	RES100 1/4W
A413	R0200	X	X	RES100 1/4W	B13	100	X	X	RES100 1/4W
A414	R0200	X	X	RES100 1/4W	B14	100	X	X	RES100 1/4W
A415	R0200	X	X	RES100 1/4W	B15	100	X	X	RES100 1/4W
A416	R0200	X	X	RES100 1/4W	B16	100	X	X	RES100 1/4W
A417	R0200	X	X	RES100 1/4W	B17	100	X	X	RES100 1/4W
A418	R0200	X	X	RES100 1/4W	B18	100	X	X	RES100 1/4W
A419	R0200	X	X	RES100 1/4W	B19	100	X	X	RES100 1/4W
A420	R0200	X	X	RES100 1/4W	B20	100	X	X	RES100 1/4W



★ All voltages are measured with a 10MΩ/V DC electronic voltmeter.
 ★ Components having special characteristics are marked Δ, and must be replaced with parts having specifications equal to those originally installed.
 ★ Schematic diagram is subject to change without notice.

Safety measures
 • Some internal parts in this product contain high voltages and are dangerous. Be sure to take safety measures during servicing, such as wearing insulating gloves.
 • Note that the capacitors indicated below are dangerous even after the power is turned off because an electric charge remains and a high voltage continues to exist there. Before starting any repair work, connect a discharging resistor (5 k-ohms/10 W) to the terminals of each capacitor indicated below to discharge electricity. The time required for discharging is about 30 seconds per each. C5407 on OPERATION (2) P.C.B.

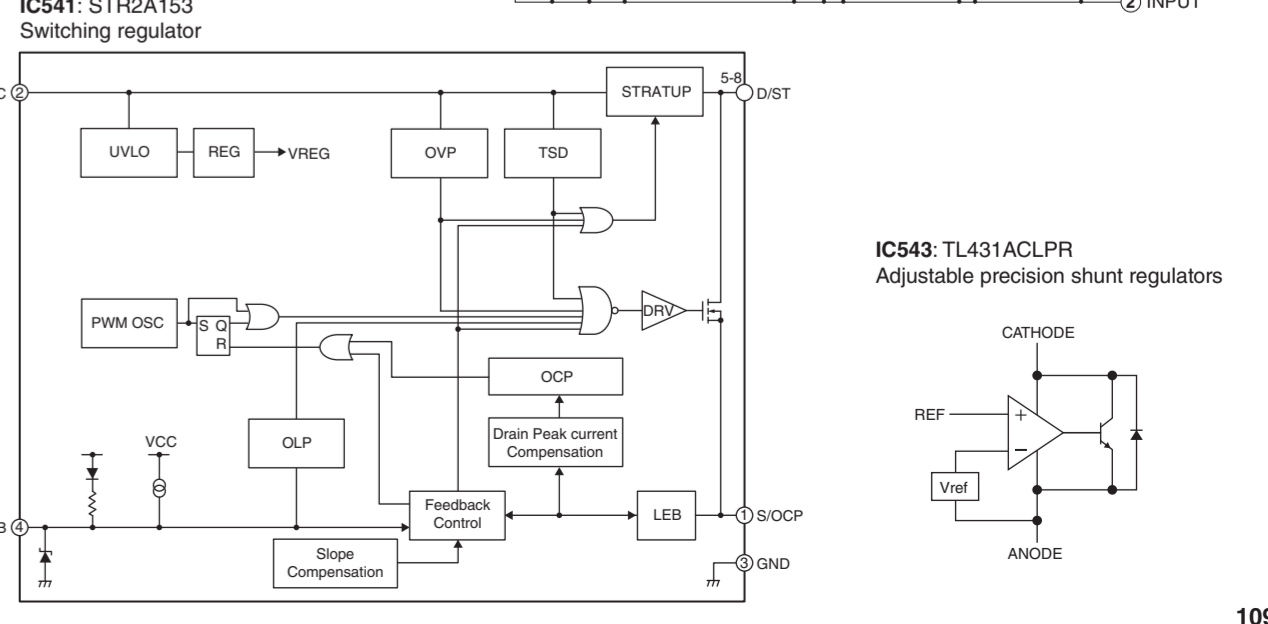
安全対策
 • この製品の内部には高電圧部分があり危険です。修理の際は、絶縁性の手袋を使用するなどの安全対策を行ってください。
 • 下記のコンデンサには電圧を OFF にした後も電荷が残り、高電圧が維持されており危険です。修理作業前に放電用抵抗 (5 kΩ/10 W) を下記の各コンデンサの端子間に接続して放電してください。放電所用時間は各々約 30 秒間です。
 OPERATION (2) P.C.B. の C5407

RESISTOR

REMARKS	PARTS NAME
NO MARK	CARBON FILM RESISTOR (P=5)
Δ	CARBON FILM RESISTOR (P=10)
□	METAL OXIDE FILM RESISTOR
△	METAL FILM RESISTOR
□	METAL PLATE RESISTOR
○	FILM PROOF CARBON FILM RESISTOR
□	CERMET MOLDED RESISTOR
□	SEMI VARIABLE RESISTOR
□	CHIP RESISTOR

CAPACITOR

REMARKS	PARTS NAME
NO MARK	ELECTROLYTIC CAPACITOR
□	TANTALUM CAPACITOR
○	NO MARK CERAMIC CAPACITOR
□	CERAMIC TUBULAR CAPACITOR
○	POLYESTER FILM CAPACITOR
○	POLYETHYLENE FILM CAPACITOR
○	MICA CAPACITOR
○	POLYPROPYLENE FILM CAPACITOR
○	SEMICONDUCTIVE CERAMIC CAPACITOR
○	POLYPROPYLENE SURFACE FILM CAPACITOR



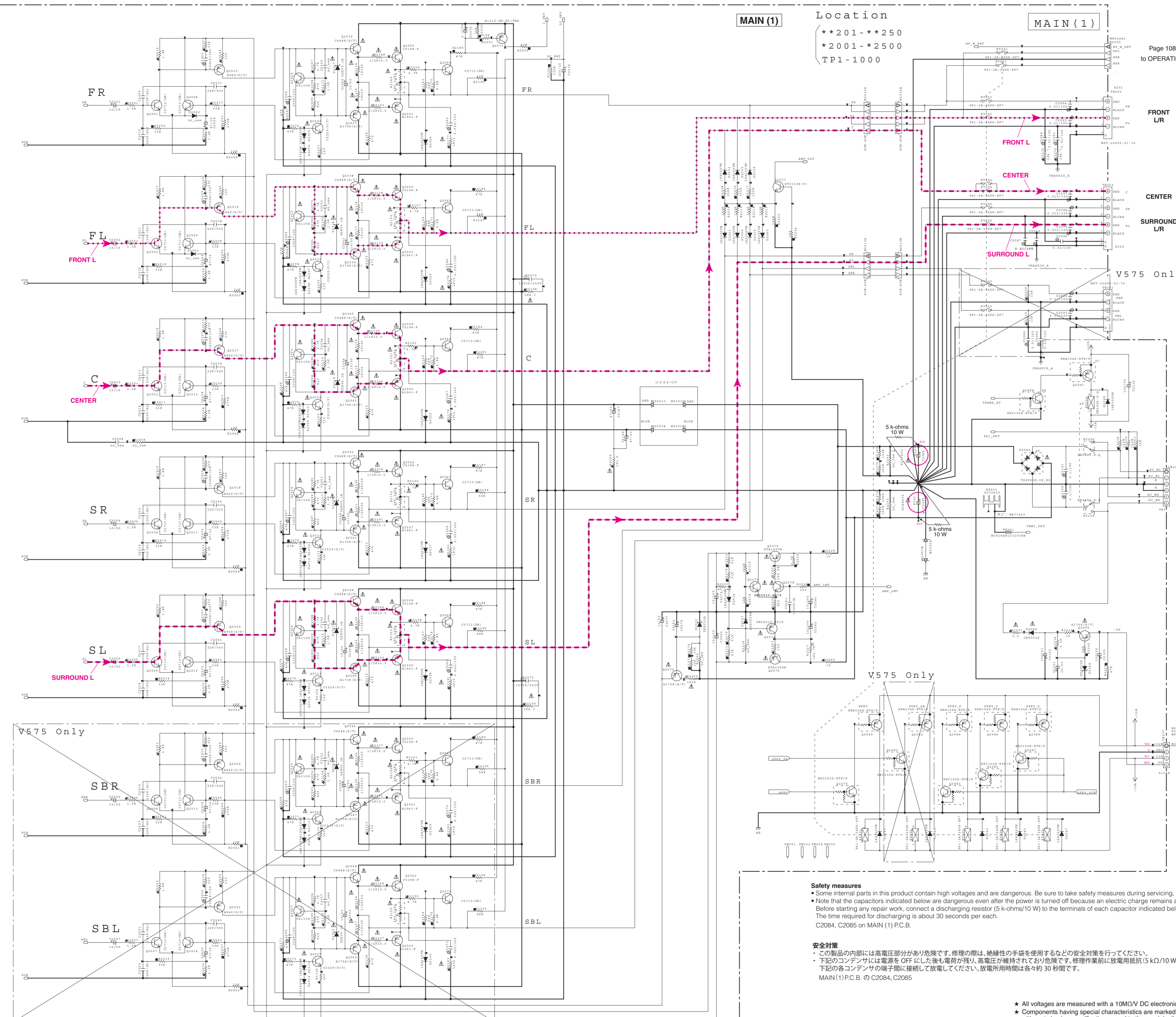
● 電圧は、内部抵抗 10MΩ の電圧計で測定したものです。
 ● Δ印のある部品は、安全性確保部品を示しています。部品の交換が必要な場合、パーツリストに記載されている部品を使用してください。
 ● 本回路図は標準回路図です。改良のため予告なく変更することがあります。

MAIN (1)

Location
201-250
*2001-*2500
TP1-1000

MAIN (1)

Page 108 [M4]
to OPERATION (7)_CB477



FR FRONT L/R
FL FRONT L
C CENTER
SR SURROUND L/R
SL SURROUND L
SBR SURROUND R
SBL SURROUND L

V575 Only

to POWER TRANSFORMER

Page 109 [G8]
to OPERATION (4)_CB522

CAPACITOR		RESISTOR	
REMARKS	PARTS NAME	REMARKS	PARTS NAME
NO MARK	ELECTROLYTIC CAPACITOR	NO MARK	CARBON FILM RESISTOR (P-5)
⊗	TANTALUM CAPACITOR	⊗	CARBON FILM RESISTOR (P-10)
NO MARK	CERAMIC CAPACITOR	△	METAL OXIDE FILM RESISTOR
⊙	CERAMIC TUBULAR CAPACITOR	⊙	METAL FILM RESISTOR
⊕	POLYESTER FILM CAPACITOR	⊕	METAL PLATE RESISTOR
⊖	POLYSTYRENE FILM CAPACITOR	⊖	FIRE PROOF CARBON FILM RESISTOR
⊘	MICA CAPACITOR	⊘	CEMENT MOUNTED RESISTOR
⊙	POLYPROPYLENE FILM CAPACITOR	⊙	SEMI-VARIABLE RESISTOR
⊚	SEMICONDUCTIVE CERAMIC CAPACITOR	⊚	CHIP RESISTOR
⊙	POLYPHENYLENE SULFIDE FILM CAPACITOR		

NOTICE (model)

- (J) JAPAN
- (U) U.S.A
- (C) CANADA
- (S) GENERAL
- (V) CHINA
- (K) KOREA
- (A) AUSTRALIA
- (B) BRITISH
- (G) EUROPE
- (L) SINGAPORE
- (E) SOUTH EUROPE
- (T) TAIWAN
- (P) RUSSIAN
- (D) LATIN AMERICA
- (B) BRAZIL
- (H) THAI

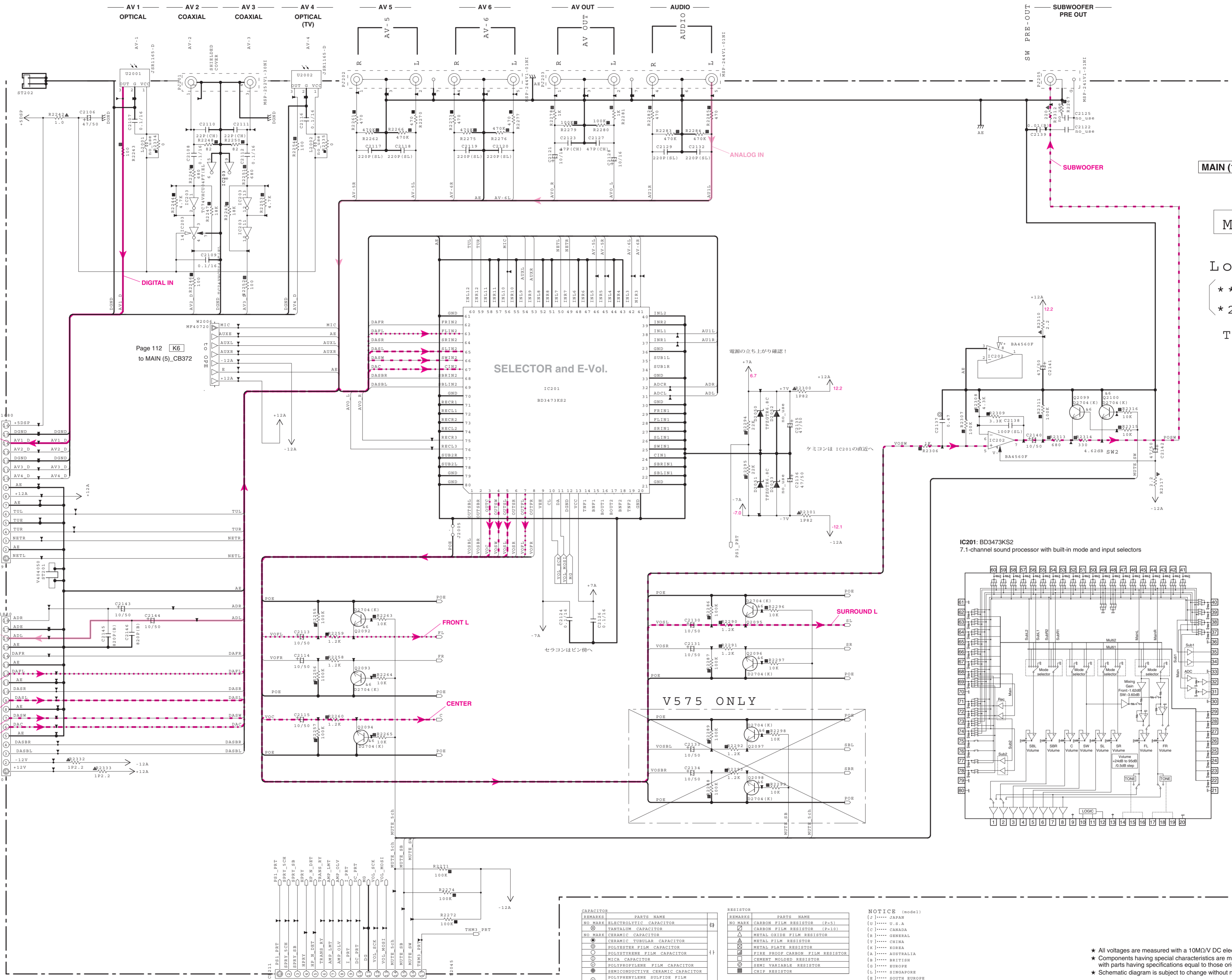
Safety measures

- Some internal parts in this product contain high voltages and are dangerous. Be sure to take safety measures during servicing, such as wearing insulating gloves.
- Note that the capacitors indicated below are dangerous even after the power is turned off because an electric charge remains and a high voltage continues to exist there. Before starting any repair work, connect a discharging resistor (5 k-ohms/10 W) to the terminals of each capacitor indicated below to discharge electricity. The time required for discharging is about 30 seconds per each. C2084, C2085 on MAIN (1) P.C.B.

安全対策

- この製品の内部には高電圧部分があり危険です。修理の際は、絶縁性の手袋を使用するなどの安全対策を行ってください。
- 下記のコンデンサには電圧を OFF にした後も高電圧が維持されており危険です。修理作業前に放電用抵抗 (5 kΩ/10 W) を下記の各コンデンサの端子間に接続して放電してください。放電所用時間は各々約 30 秒間です。MAIN (1) P.C.B. の C2084, C2085

- All voltages are measured with a 10MΩ DC electronic voltmeter.
- Components having special characteristics are marked Δ, and must be replaced with parts having specifications equal to those originally installed.
- Schematic diagram is subject to change without notice.
- 電圧は、内部抵抗 10MΩ の電圧計で測定したものです。
- △印のある部品は、安全性確保部品を示しています。部品の交換が必要な場合、パーツリストに記載されている部品を使用してください。
- 本回路図は標準回路図です。改良のため予告なく変更することがあります。



MAIN (1)

MAIN (1)

Location

201-250

*2001-*2500

TP1-1000

Page 112 [J4] to MAIN (3)_CB272

Page 112 [C8] to MAIN (2)_CB252

Page 112 [K6] to MAIN (5)_CB372

Page 104 [E2] to DIGITAL_CB22

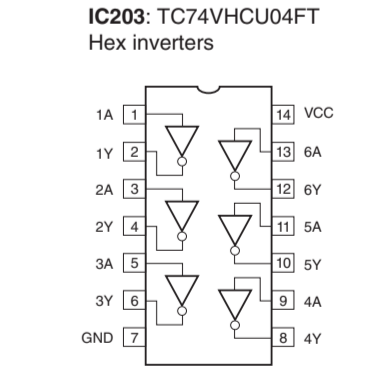
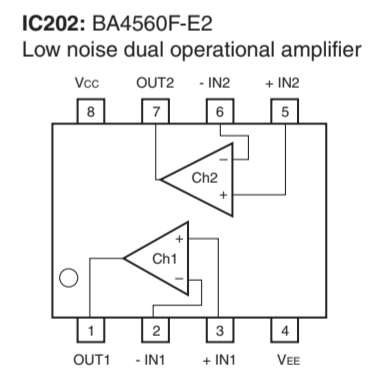
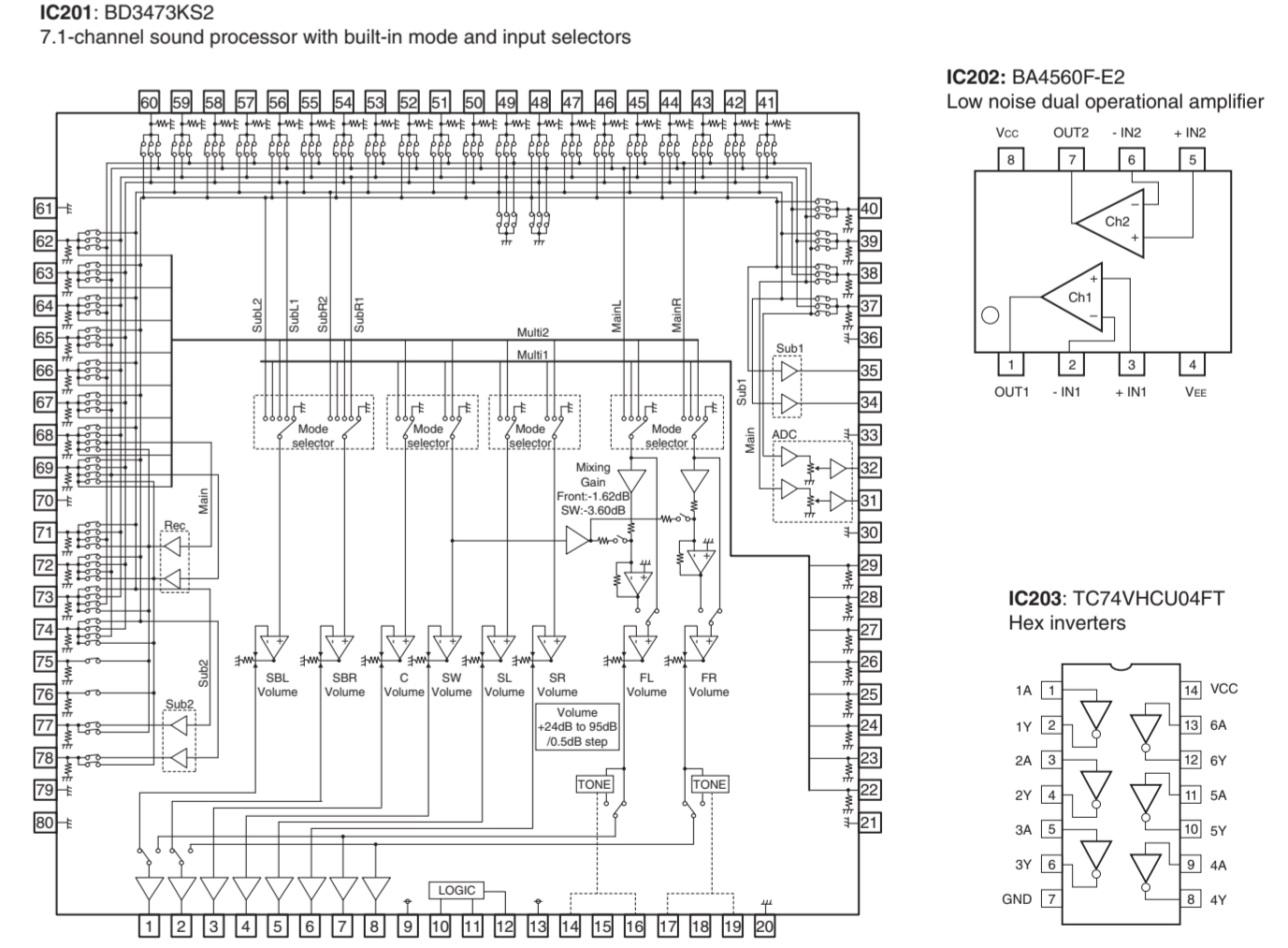
CAPACITOR	REMARKER	PARTS NAME	REMARKER	PARTS NAME
NO MARK		ELECTROLYTIC CAPACITOR	NO MARK	CARBON FILM RESISTOR (P=5)
NO MARK		TANTALUM CAPACITOR	NO MARK	CARBON FILM RESISTOR (P=10)
NO MARK		CERAMIC CAPACITOR	NO MARK	METAL OXIDE FILM RESISTOR
NO MARK		CERAMIC TUBULAR CAPACITOR	NO MARK	METAL FILM RESISTOR
NO MARK		POLYESTER FILM CAPACITOR	NO MARK	METAL STATE RESISTOR
NO MARK		POLYESTER FILM CAPACITOR	NO MARK	FIRE PROOF CARBON FILM RESISTOR
NO MARK		MICA CAPACITOR	NO MARK	CEMENT MOLDED RESISTOR
NO MARK		POLYPROPYLENE FILM CAPACITOR	NO MARK	SEMIL VARIABLE RESISTOR
NO MARK		SEMICONDUCTIVE CERAMIC CAPACITOR	NO MARK	CHIP RESISTOR
NO MARK		POLYPROPYLENE SULFIDE FILM CAPACITOR		

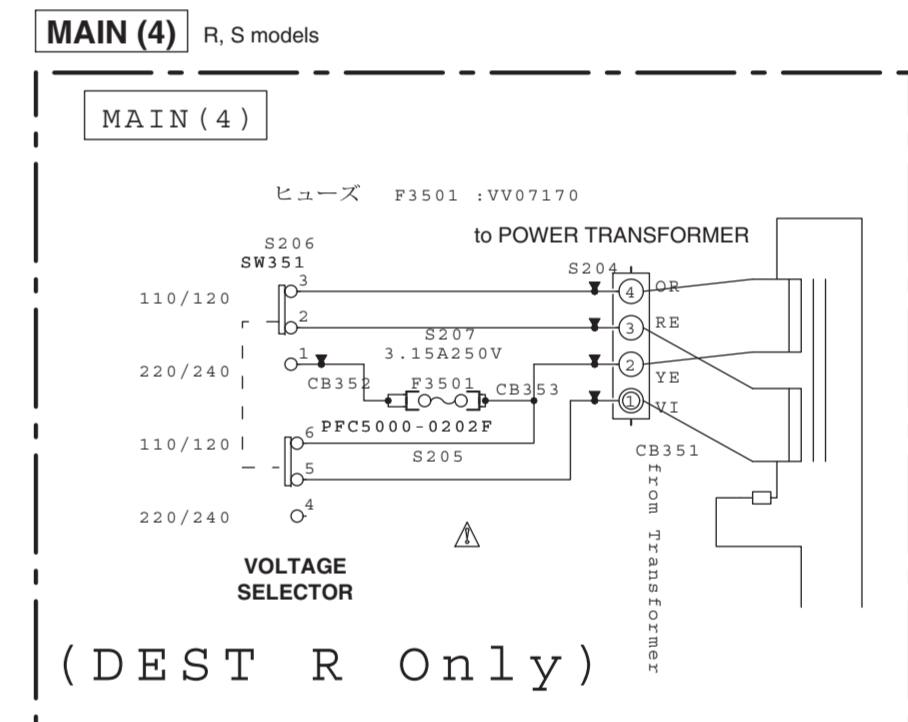
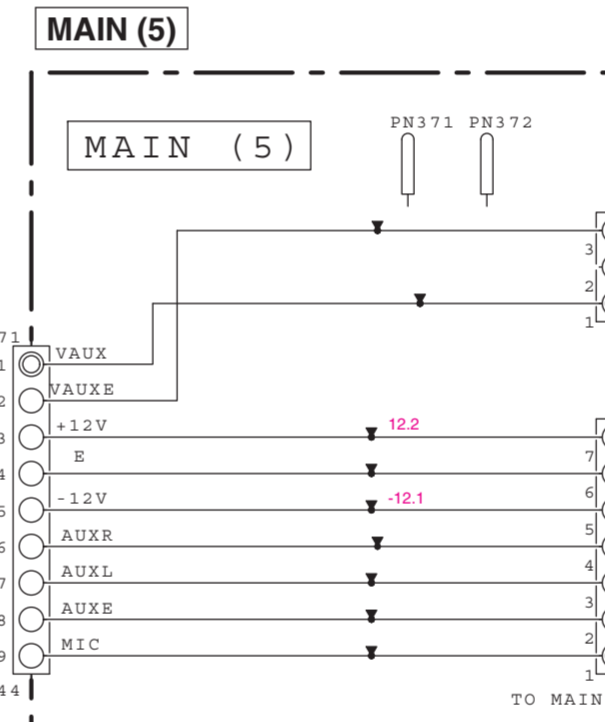
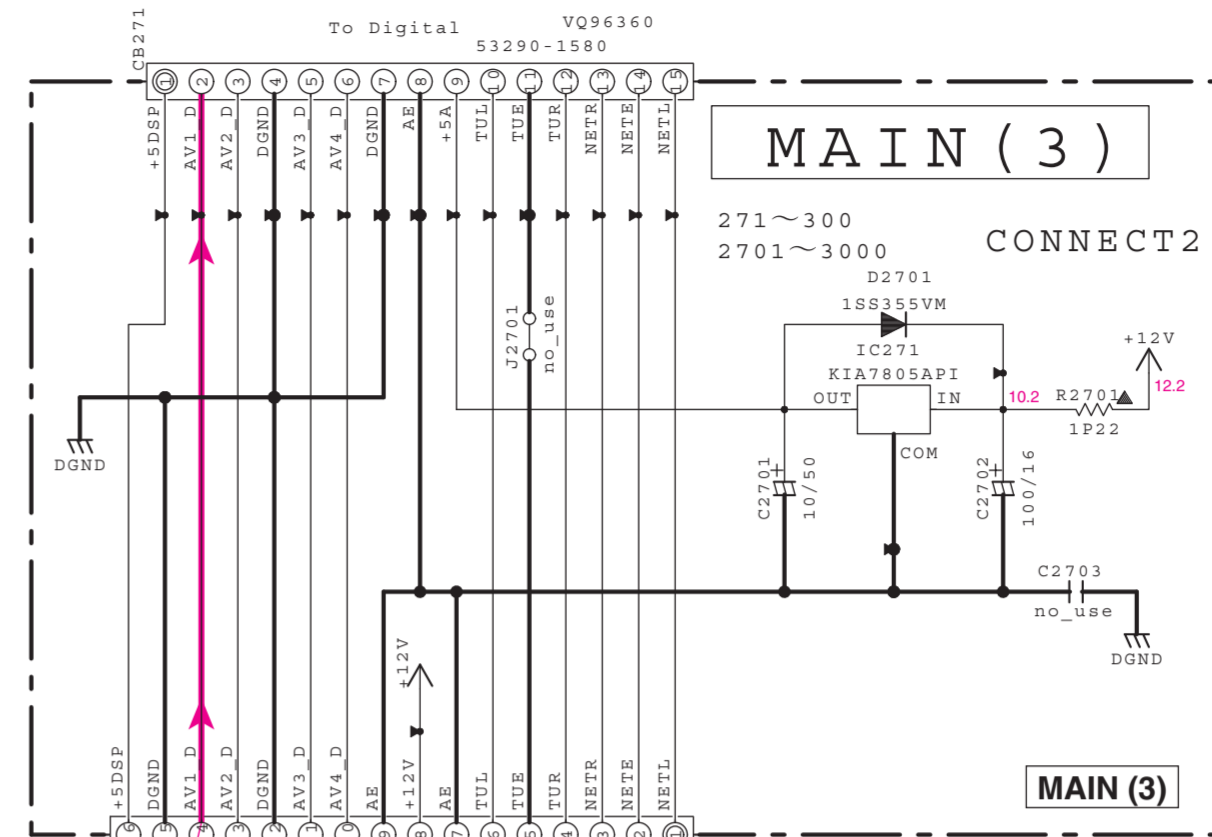
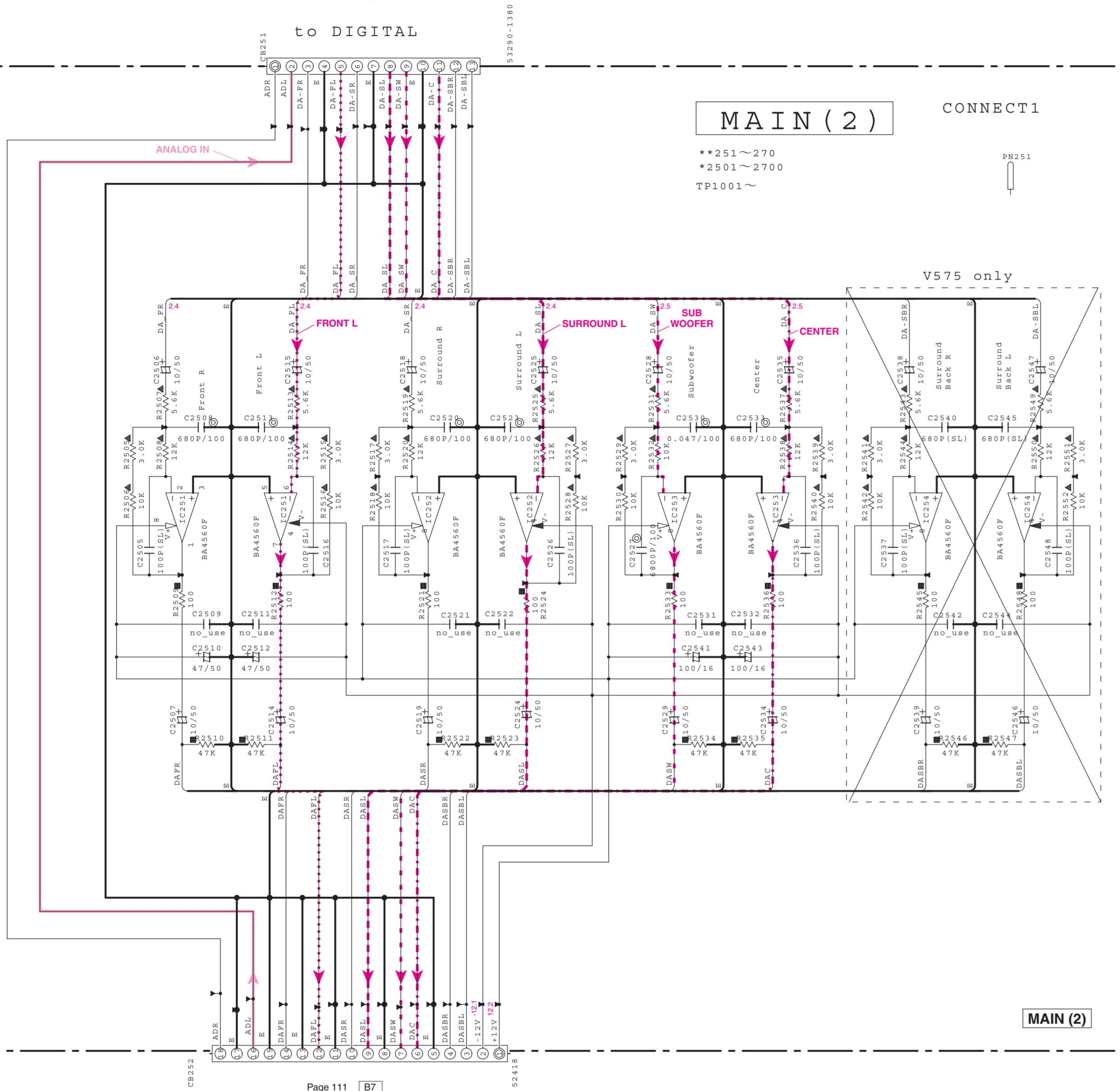
NOTICE (model)

- (J)..... JAPAN
- (O)..... U.S.A
- (C)..... CANADA
- (R)..... GENERAL
- (F)..... CHINA
- (K)..... KOREA
- (A)..... AUSTRALIA
- (B)..... BRITISH
- (G)..... EUROPE
- (L)..... SINGAPORE
- (S)..... SOUTH EUROPE
- (V)..... TAIWAN
- (F)..... RUSSIAN
- (P)..... LATIN AMERICA
- (I)..... INDIA
- (H)..... THAI

- * All voltages are measured with a 10MΩ/V DC electronic voltmeter.
- * Components having special characteristics are marked Δ and must be replaced with parts having specifications equal to those originally installed.
- * Schematic diagram is subject to change without notice.

- 電圧は、内部抵抗 10MΩの電圧計で測定したものです。
- Δ印のある部品は、安全性確保部品を示しています。部品の交換が必要な場合、パーツリストに記載されている部品を使用してください。
- 本回路図は標準回路図です。改良のため予告なく変更することがあります。



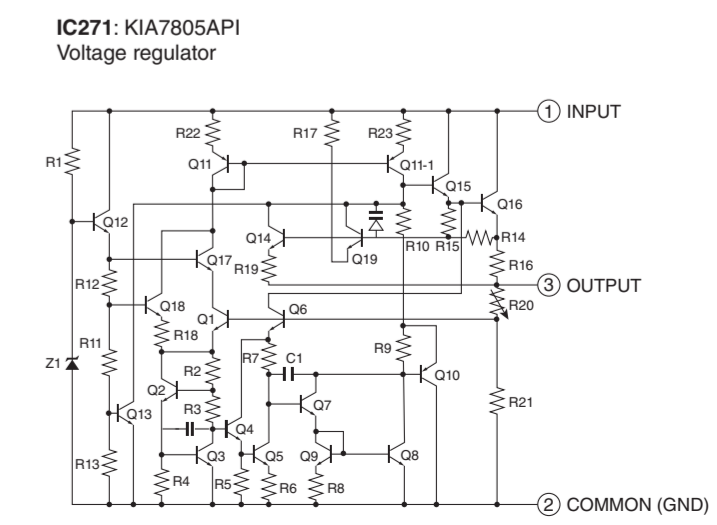
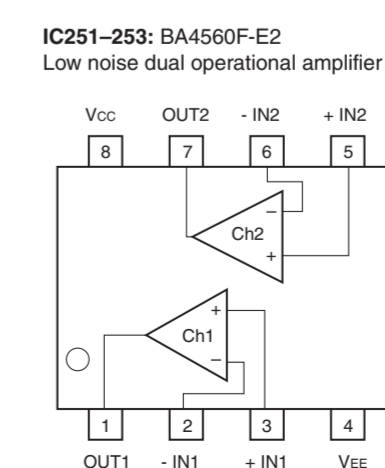


Part No.	LOC	J	UCTA	RS	KBGLFH
S201	TE202	MW72890	MW72890	MW72890	MW72650
S202	TE203	MW72660	MW72660	MW72660	MW72880
S203	C2084	ZC88930	WS1420	WS1420	ZC88930
S204	CB351	X	X	B4P7S-VH	X
S205	CB352	X	X	WM07770	X
S206	SW351	X	X	WV38290	X
S207	F3501	X	X	VV07170	X

REMARKS	PARTS NAME	UNIT
NO MARK	ELECTROLYTIC CAPACITOR	μF
⊗	TANTALUM CAPACITOR	μF
NO MARK	CERAMIC CAPACITOR	
⊙	CERAMIC TUBULAR CAPACITOR	
⊖	POLYESTER FILM CAPACITOR	
○	POLYSTYRENE FILM CAPACITOR	
⊕	MICA CAPACITOR	
⊙	POLYPROPYLENE FILM CAPACITOR	
⊖	SEMICONDUCTIVE CERAMIC CAPACITOR	
⊙	POLYPHENYLENE SULFIDE FILM CAPACITOR	

REMARKS	PARTS NAME
NO MARK	CARBON FILM RESISTOR (P=5)
⊗	CARBON FILM RESISTOR (P=10)
⊕	METAL OXIDE FILM RESISTOR
⊖	METAL FILM RESISTOR
⊙	METAL PLATE RESISTOR
⊖	FIRE PROOF CARBON FILM RESISTOR
⊕	CEMENT MOLDED RESISTOR
⊖	SEMI VARIABLE RESISTOR
⊖	CHIP RESISTOR

NOTICE (model)
(J)..... JAPAN
(U)..... U.S.A
(C)..... CANADA
(R)..... GENERAL
(T)..... CHINA
(K)..... KOREA
(A)..... AUSTRALIA
(B)..... BRITISH
(G)..... EUROPE
(L)..... SINGAPORE
(E)..... SOUTH EUROPE
(V)..... TAIWAN
(F)..... RUSSIAN
(P)..... LATIN AMERICA
(S)..... BRAZIL
(H)..... THAI



* All voltages are measured with a 10MΩ DC electronic voltmeter.
* Components having special characteristics are marked Δ and must be replaced with parts having specifications equal to those originally installed.
* Schematic diagram is subject to change without notice.

● 電圧は、内部抵抗 10MΩ の電圧計で測定したものです。
● Δ印のある部品は、安全性確保部品を示しています。部品の交換が必要な場合、パーツリストに記載されている部品を使用してください。
● 本回路図は標準回路図です。改良のため予告なく変更することがあります。

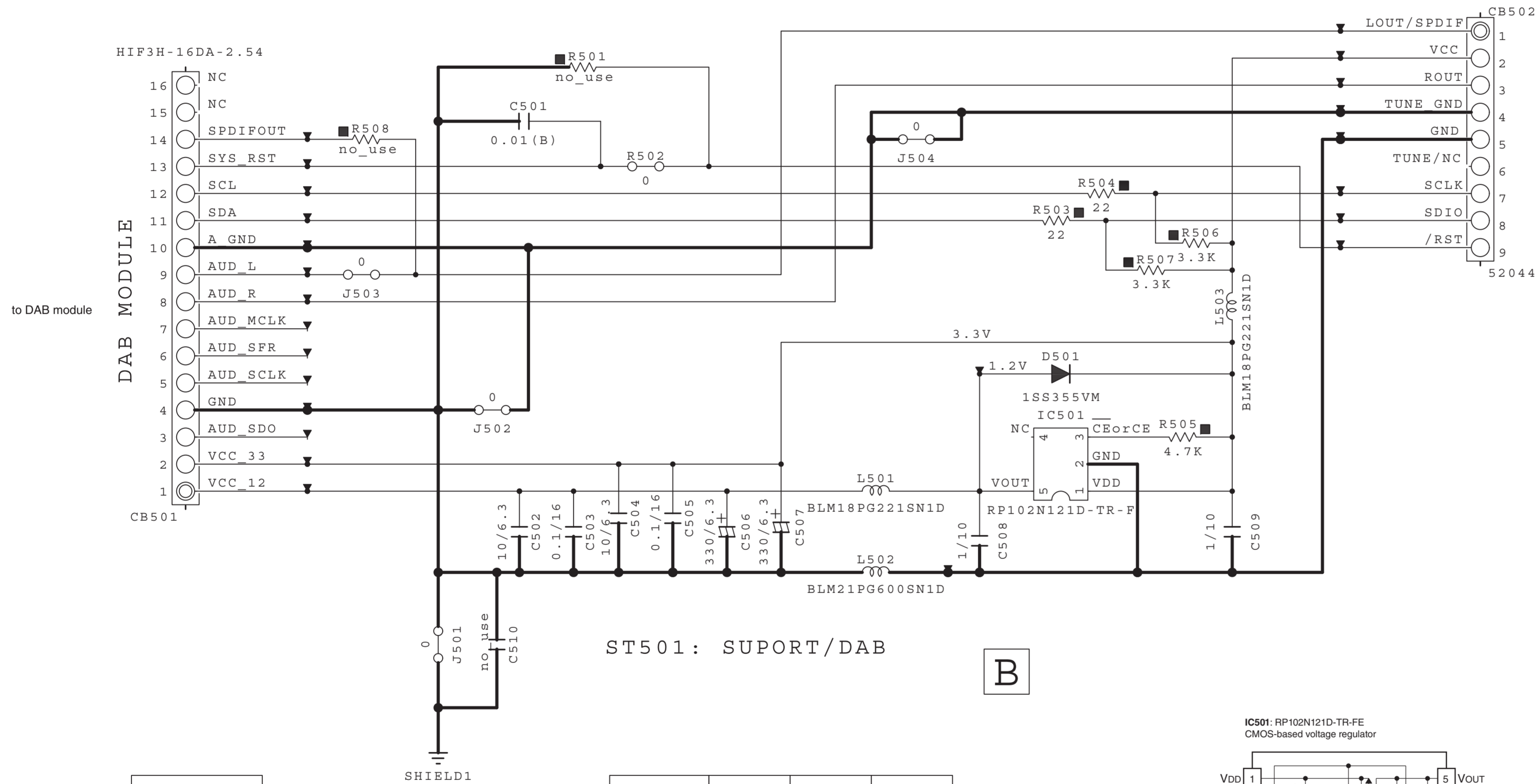
DAB

CAPACITOR

REMARKS	PARTS NAME	
NO MARK	ELECTROLYTIC CAPACITOR	
⊗	TANTALUM CAPACITOR	
NO MARK	CERAMIC CAPACITOR	
●	CERAMIC TUBULAR CAPACITOR	
○	POLYESTER FILM CAPACITOR	
○	POLYSTYRENE FILM CAPACITOR	
⓪	MICA CAPACITOR	
Ⓟ	POLYPROPYLENE FILM CAPACITOR	
Ⓢ	SEMICONDUCTIVE CERAMIC CAPACITOR	
Ⓢ	POLYPHENYLENE SULFIDE FILM CAPACITOR	

NOTICE (model)

- (J)..... JAPAN
- (U)..... U.S.A
- (C)..... CANADA
- (R)..... GENERAL
- (T)..... CHINA
- (K)..... KOREA
- (A)..... AUSTRALIA
- (B)..... BRITISH
- (G)..... EUROPE
- (L)..... SINGAPORE
- (E)..... SOUTH EUROPE
- (V)..... TAIWAN
- (F)..... RUSSIAN
- (P)..... LATIN AMERICA
- (S)..... BRAZIL
- (H)..... THAI



Page 104 [J2] to DIGITAL_CB26

RESISTOR

REMARKS	PARTS NAME
NO MARK	CARBON FILM RESISTOR (P=5)
□	CARBON FILM RESISTOR (P=10)
△	METAL OXIDE FILM RESISTOR
▲	METAL FILM RESISTOR
⊠	METAL PLATE RESISTOR
▨	FIRE PROOF CARBON FILM RESISTOR
□	CEMENT MOLDED RESISTOR
⊗	SEMI VARIABLE RESISTOR
■	CHIP RESISTOR

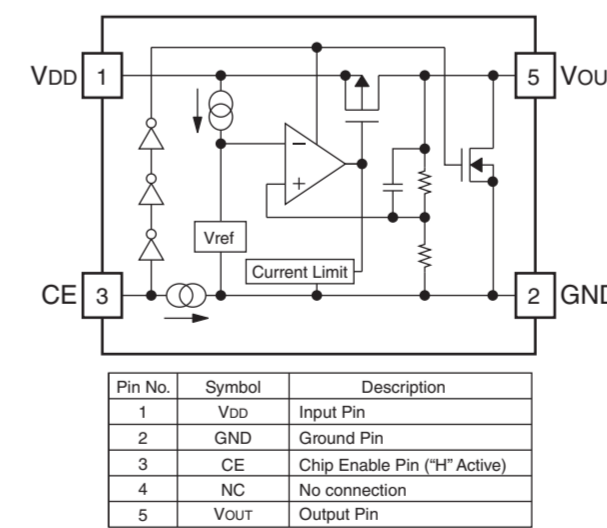
ST501: SUPORT/DAB

B

DAB

AUDIO OUT	PCB NO.	J503	R508
ANALOG	ZD57460	RD35000	X
SPDIF	ZE39860	X	RD35410

IC501: RP102N121D-TR-FE CMOS-based voltage regulator



★ Components having special characteristics are marked Δ and must be replaced with parts having specifications equal to those originally installed.
★ Schematic diagram is subject to change without notice.

● Δ印のある部品は、安全性確保部品を示しています。部品の交換が必要な場合、パーツリストに記載されている部品を使用してください。
● 本回路図は標準回路図です。改良のため予告なく変更することがあります。

■ REPLACEMENT PARTS LIST

● ELECTRICAL COMPONENT PARTS

WARNING

- Components having special characteristics are marked Δ and must be replaced with parts having specifications equal to those originally installed.
- Δ 印のある部分は、安全確保部品を示しています。部品の交換が必要な場合、パーツリストに記載されている部品を使用してください。
- 部品価格ランクは、予告なく変更することがあります。

ABBREVIATIONS IN THIS LIST ARE AS FOLLOWS:

C.A.EL.CHP	: CHIP ALUMI.ELECTROLYTIC CAP	LED.CHP	: CHIP LED
C.CE	: CERAMIC CAP	LED.DSPLY	: LED DISPLAY
C.CE.ARRAY	: CERAMIC CAP ARRAY	LED.INFRD	: LED,INFRARED
C.CE.CHP	: CHIP CERAMIC CAP	PHOT.CPL	: PHOTO COUPLER
C.CE.M.CHP	: CHIP MULTILAYER CERAMIC CAP	PHOT.INTR	: PHOTO INTERRUPTER
C.CE.SAFTY	: RECOGNIZED CERAMIC CAP	PHOT.RFLCT	: PHOTO REFLECTOR
C.CE.TUBLR	: CERAMIC TUBULAR CAP	PHOT.TR	: PHOTO TRANSISTOR
C.CE.SMI	: SEMI CONDUCTIVE CERAMIC CAP	PIN.TEST	: PIN,TEST POINT
C.EL	: ELECTROLYTIC CAP	PTC.THERM	: POSITIVE TEMPERATURE COEFFICIENT THERMISTOR
C.EL.BP	: BIPOLAR ELECTROLYTIC CAP	R.ANTI.SURGE	: FIXED ANTI SURGE RESISTOR
C.EL.CHP	: CHIP ELECTROLYTIC CAP	R.ARRAY	: RESISTOR ARRAY
C.MICA	: MICA CAP	R.CAR.	: CARBON RESISTOR
C.ML.FLM	: MULTILAYER FILM CAP	R.CAR.CHP	: CHIP RESISTOR
C.MP	: METALLIZED POLYESTER FILM CAP	R.CAR.FP	: FLAME PROOF CARBON RESISTOR
C.MYLAR	: MYLAR FILM CAP	R.CEMENT	: CEMENT RESISTOR
C.MYLAR.ML	: MULTILAYER MYLAR FILM CAP	R.CHP	: CHIP RESISTOR
C.NIOB.OXD	: NIOBIUM OXIDE CAP	R.FUS	: FUSIBLE RESISTOR
C.PAPER	: PAPER CAPACITOR	R.MTL.CHP	: CHIP METAL FILM RESISTOR
C.PLS	: POLYSTYRENE FILM CAP	R.MTL.FLM	: METAL FILM RESISTOR
C.POL	: POLYESTER FILM CAP	R.MTL.OXD	: METAL OXIDE FILM RESISTOR
C.PP	: POLYPROPYLENE FILM CAP	R.MTL.PLAT	: METAL PLATE RESISTOR
C.PP.CHP	: CHIP POLYPROPYLENE FILM CAP	RSNR.CE	: CERAMIC RESONATOR
C.TNTL	: TANTALIUM CAP	RSNR.CRYS	: CRYSTAL RESONATOR
C.TNTL.CHP	: CHIP TANTALIUM CAP	SCR.BND.HD	: BIND HEAD B-TIGHT SCREW
C.TRIM	: TRIMMER CAP	SCR.TERM	: SCREW TERMINAL
CN	: CONNECTOR	SCR.TR	: SCREW,TRANSISTOR
CN.BS.PIN	: CONNECTOR,BASE PIN	SURG.PRTCT	: SURGE PROTECTOR
CN.CANNON	: CONNECTOR,CANNON	SUPRT.PCB	: P.C.B. SUPPORT
CN.DIN	: CONNECTOR,DIN	SW.LEVER	: LEVER SWITCH
CN.FLAT	: CONNECTOR,FLAT CABLE	SW.MICRO	: MICRO SWITCH
CN.FFC	: CONNECTOR,FLEXIBLE FLAT CABLE	SW.LEAF	: LEAF SWITCH
CN.HDMI	: HDMI CONNECTOR	SW.PUSH	: PUSH SWITCH
CN.PHOTO.R	: PHOTO FIBER SENSOR,RECEIVED	SW.RT	: ROTARY SWITCH
CN.PHOTO.T	: PHOTO FIBER SENSOR,TRANSMITTED	SW.RT.ENC	: ROTARY ENCODER
D.SCHOTTKY	: SCHOTTKY BARRIER DIODE	SW.RT.MTR	: ROTARY SWITCH WITH MOTOR
DIODE.ARRAY	: DIODE ARRAY	SW.SLIDE	: SLIDE SWITCH
DIODE.BRG	: DIODE BRIDGE	SW.TACT	: TACT SWITCH
DIODE.CHP	: CHIP DIODE	TERM.SP	: SPEAKER TERMINAL
DIODE.VAR	: VARACTOR DIODE	TERM.WRAP	: WRAPPING TERMINAL
DIODE.ZENR	: ZENER DIODE	THRMST.CHP	: CHIP THERMISTOR
DIODE.Z.CHP	: CHIP ZENER DIODE	TR	: TRANSISTOR
DIODE.PHOT	: PHOTO DIODE	TR.CHP	: CHIP TRANSISTOR
FER.BEAD	: FERRITE BEADS	TR.DGT	: DIGITAL TRANSISTOR
FER.CORE	: FERRITE CORE	TR.DGT.CHP	: CHIP DIGITAL TRANSISTOR
FET.CHP	: CHIP FET	TR.PAIR	: PAIR TRANSISTOR
FL.DSPLY	: FLUORESCENT DISPLAY	TRANS	: TRANSFORMER
FLTR.CE	: CERAMIC FILTER	TRANS.PULS	: PULSE TRANSFORMER
FLTR.COMB	: COMB FILTER MODULE	TRANS.PWR	: POWER TRANSFORMER
FLTR.LC.RF	: LC FILTER,EMI	VARISTOR.C	: CHIP VARISTOR
FUSE.CHP	: CHIP FUSE	VOLT.SELCT	: VOLTAGE SELECTOR
GND.MTL	: GROUND PLATE	VR	: ROTARY POTENTIOMETER
GND.TERM	: GROUND TERMINAL	VR.MTR	: POTENTIOMETER WITH MOTOR
JUMPER.CN	: JUMPER CONNECTOR	VR.SLIDE	: SLIDE POTENTIOMETER
JUMPER.TST	: JUMPER,TEST POINT	VR.SW	: POTENTIOMETER WITH SWITCH
L.DTCT	: LIGHT DETECTING MODULE	VR.TRIM	: TRIMMER POTENTIOMETER

DIGITAL

Ref No.	Part No.	Description	Remarks	Markets	部 品 名	ランク
*	ZF466500	P. C. B.	DIGITAL	RX-V475, HTR-4066		PCB DIGITAL
*	ZF478400	P. C. B.	DIGITAL	RX-V500D	ABG	PCB DIGITAL
CB1-6	ZD534300	CN. HDMI	19P SE		HDMIコネクタ	02
CB21	VQ044900	CN. BS. PIN	19P		コネクタ	01
CB22	VF982300	CN. BS. PIN	17P		コネクタ	01
CB24	VK026500	CN. BS. PIN	6P		ワイヤートラップ	01
CB25	VK026800	CN. BS. PIN	9P		ワイヤートラップ	01
CB26	VQ044400	CN. BS. PIN	9P		コネクタ	01
CB27	VQ047200	CN. BS. PIN	9P		コネクタ	01
CB29	VB389900	CN. BS. PIN	3P		コネクタ	01
CB61	LB919040	CN. BS. PIN	4P		コネクタ	01
CB62	VQ961800	CN. BS. PIN	15P		コネクタ	01
CB63	VQ961600	HOUSING	13P		ハウジング	01
CB64	LB919050	CN. BS. PIN	5P		コネクタ	01
CB65	VB858300	CN. BS. PIN	4P		コネクタ	01
CB91	VQ044100	CN. BS. PIN	5P		コネクタ	01
CB951	WH237300	CN. LAN	8P LU1T041A-LF		ネットワークコネクタ	
CB952	VB858400	CN. BS. PIN	5P		コネクタ	01
CB953	WC195700	CN	7P TE		FMNコネクタ	02
C1-4	US625100	C. CE. CHP	0. 1uF 10V		チップセラコン	01
C5-8	WG888300	C. CE. M. CHP	10uF 6. 3V		チップ積層セラコン	01
C9-16	US625100	C. CE. CHP	0. 1uF 10V		チップセラコン	01
C17	US046100	C. CE. CHP	1uF 25V		チップセラコン	01
C18-19	US625100	C. CE. CHP	0. 1uF 10V		チップセラコン	01
C20	US663100	C. CE. CHP	1000pF 50V		チップセラコン	01
C21	US625100	C. CE. CHP	0. 1uF 10V		チップセラコン	01
C22-24	US663100	C. CE. CHP	1000pF 50V		チップセラコン	01
C25	WD758300	C. CE. CHP	10uF 10V		チップセラコン	01
C26-32	US663100	C. CE. CHP	1000pF 50V		チップセラコン	01
C33-34	US625100	C. CE. CHP	0. 1uF 10V		チップセラコン	01
C35-36	WG888300	C. CE. M. CHP	10uF 6. 3V		チップ積層セラコン	01
C37-42	US625100	C. CE. CHP	0. 1uF 10V		チップセラコン	01
C43-44	US663100	C. CE. CHP	1000pF 50V		チップセラコン	01
C45	US662100	C. CE. CHP	100pF 50V		チップセラコン	
C46-47	US663100	C. CE. CHP	1000pF 50V		チップセラコン	01
C48	US625100	C. CE. CHP	0. 1uF 10V		チップセラコン	01
C49-50	US663100	C. CE. CHP	1000pF 50V		チップセラコン	01
C51-55	WD758300	C. CE. CHP	10uF 10V		チップセラコン	01
C56	US625100	C. CE. CHP	0. 1uF 10V		チップセラコン	01
C57	US663100	C. CE. CHP	1000pF 50V		チップセラコン	01
C58	US625100	C. CE. CHP	0. 1uF 10V		チップセラコン	01
C59	US660800	C. CE. CHP	8pF 50V		チップセラコン	01
C60	US625100	C. CE. CHP	0. 1uF 10V		チップセラコン	01
C61	US663100	C. CE. CHP	1000pF 50V		チップセラコン	01
C62	US625100	C. CE. CHP	0. 1uF 10V		チップセラコン	01
C63	US663100	C. CE. CHP	1000pF 50V		チップセラコン	01
C64	US660800	C. CE. CHP	8pF 50V		チップセラコン	01
C65-68	WD758300	C. CE. CHP	10uF 10V		チップセラコン	01
C69	WJ932500	C. CE. CHP	1uF 6. 3V		チップセラコン	01
C70	US625100	C. CE. CHP	0. 1uF 10V		チップセラコン	01
C72	US625100	C. CE. CHP	0. 1uF 10V		チップセラコン	01
C73	WD758300	C. CE. CHP	10uF 10V		チップセラコン	01
C74	WJ344400	C. CE. CHP	22uF 6. 3V		チップセラコン	01
C75	WD758300	C. CE. CHP	10uF 10V		チップセラコン	01
C77	US663390	C. CE. CHP	3900pF 50V		チップセラコン	01
C78	US663100	C. CE. CHP	1000pF 50V		チップセラコン	01
C79	US634220	C. CE. CHP	0. 022uF 16V		チップセラコン	01

* New Parts / 新規部品

RX-V475/HTR-4066

RX-V500D

DIGITAL

Ref No.	Part No.	Description	Remarks	Markets	部 品 名	ランク	
C80	US663100	C. CE. CHP	1000pF	50V		チップセラコン	01
C81	US625100	C. CE. CHP	0. 1uF	10V		チップセラコン	01
C82	US634100	C. CE. CHP	0. 01uF	16V		チップセラコン	01
C83	WD758300	C. CE. CHP	10uF	10V		チップセラコン	01
C84	US046100	C. CE. CHP	1uF	25V		チップセラコン	01
C85	US034470	C. CE. CHP	0. 047uF	16V B		チップセラコン	01
C86-87	US046100	C. CE. CHP	1uF	25V		チップセラコン	01
C92	US663100	C. CE. CHP	1000pF	50V		チップセラコン	01
C93	US625100	C. CE. CHP	0. 1uF	10V		チップセラコン	01
C101-102	UF138220	C. EL. CHP	220uF	16V		チップケミコン	01
C104	US625100	C. CE. CHP	0. 1uF	10V		チップセラコン	01
C214-217	US625100	C. CE. CHP	0. 1uF	10V		チップセラコン	01
C218	US634100	C. CE. CHP	0. 01uF	16V		チップセラコン	01
C219	US625100	C. CE. CHP	0. 1uF	10V		チップセラコン	01
C220	US634100	C. CE. CHP	0. 01uF	16V		チップセラコン	01
C221	US663100	C. CE. CHP	1000pF	50V		チップセラコン	01
C224-233	US634100	C. CE. CHP	0. 01uF	16V		チップセラコン	01
C234	US663100	C. CE. CHP	1000pF	50V		チップセラコン	01
C245	US126100	C. CE. CHP	1uF	10V		チップセラコン	01
C246-248	US625100	C. CE. CHP	0. 1uF	10V		チップセラコン	01
C255	US634100	C. CE. CHP	0. 01uF	16V		チップセラコン	01
C256	US662100	C. CE. CHP	100pF	50V		チップセラコン	01
C258-260	US046100	C. CE. CHP	1uF	25V		チップセラコン	01
C261	US662100	C. CE. CHP	100pF	50V		チップセラコン	01
C264	US662100	C. CE. CHP	100pF	50V		チップセラコン	01
C265	US663100	C. CE. CHP	1000pF	50V		チップセラコン	01
C266	US046100	C. CE. CHP	1uF	25V		チップセラコン	01
C267	WG251600	C. CE. CHP	4. 7uF	6. 3V		チップセラコン	01
C268	US046100	C. CE. CHP	1uF	25V		チップセラコン	01
C269	WG251600	C. CE. CHP	4. 7uF	6. 3V		チップセラコン	01
C271	US625100	C. CE. CHP	0. 1uF	10V		チップセラコン	01
C272	WG888300	C. CE. M. CHP	10uF	6. 3V		チップ積層セラコン	01
C301-302	UF027330	C. EL. CHP	33uF	10V		チップケミコン	01
C401	US662100	C. CE. CHP	100pF	50V		チップセラコン	01
C402	WG888300	C. CE. M. CHP	10uF	6. 3V		チップ積層セラコン	01
C403-429	US625100	C. CE. CHP	0. 1uF	10V		チップセラコン	01
C430	US663100	C. CE. CHP	1000pF	50V		チップセラコン	01
C431	WG888300	C. CE. M. CHP	10uF	6. 3V		チップ積層セラコン	01
C432	US663100	C. CE. CHP	1000pF	50V		チップセラコン	01
C433-434	WG888300	C. CE. M. CHP	10uF	6. 3V		チップ積層セラコン	01
C435-437	US625100	C. CE. CHP	0. 1uF	10V		チップセラコン	01
C441-442	US625100	C. CE. CHP	0. 1uF	10V		チップセラコン	01
C447-448	US625100	C. CE. CHP	0. 1uF	10V		チップセラコン	01
C450	US046100	C. CE. CHP	1uF	25V		チップセラコン	01
C451	WG888300	C. CE. M. CHP	10uF	6. 3V		チップ積層セラコン	01
C452	US046100	C. CE. CHP	1uF	25V		チップセラコン	01
C453	US634100	C. CE. CHP	0. 01uF	16V		チップセラコン	01
C454	WG888300	C. CE. M. CHP	10uF	6. 3V		チップ積層セラコン	01
C456-457	US625100	C. CE. CHP	0. 1uF	10V		チップセラコン	01
C551	UF138220	C. EL. CHP	220uF	16V		チップケミコン	01
C601	US625100	C. CE. CHP	0. 1uF	10V		チップセラコン	01
C602-603	US634100	C. CE. CHP	0. 01uF	16V		チップセラコン	01
C605	US625100	C. CE. CHP	0. 1uF	10V		チップセラコン	01
C606	US662100	C. CE. CHP	100pF	50V		チップセラコン	01
C607	WG888300	C. CE. M. CHP	10uF	6. 3V		チップ積層セラコン	01
C608	US126100	C. CE. CHP	1uF	10V		チップセラコン	01
C609	US046100	C. CE. CHP	1uF	25V		チップセラコン	01

* New Parts / 新規部品

DIGITAL

Ref No.	Part No.	Description	Remarks	Markets	部 品 名	ランク
C610	WG888300	C. CE. M. CHP	10uF 6.3V		チップ積層セラコン	01
C611	US634100	C. CE. CHP	0.01uF 16V		チップセラコン	01
C613	US661120	C. CE. CHP	12pF 50V		チップセラコン	01
C614	US661150	C. CE. CHP	15pF 50V		チップセラコン	01
C615	WG251600	C. CE. CHP	4.7uF 6.3V		チップセラコン	01
C616	WG888300	C. CE. M. CHP	10uF 6.3V		チップ積層セラコン	01
C617	US126100	C. CE. CHP	1uF 10V		チップセラコン	01
C618	US634100	C. CE. CHP	0.01uF 16V		チップセラコン	01
C619	US126100	C. CE. CHP	1uF 10V		チップセラコン	01
C620	US634100	C. CE. CHP	0.01uF 16V		チップセラコン	01
C621	UB214680	C. CE. CHP	0.068uF 25V		チップセラコン	01
C622	US643470	C. CE. CHP	4700pF 25V		チップセラコン	01
C623	US625100	C. CE. CHP	0.1uF 10V		チップセラコン	01
C624	WD758300	C. CE. CHP	10uF 10V		チップセラコン	01
C625	US625100	C. CE. CHP	0.1uF 10V		チップセラコン	01
C626	US663100	C. CE. CHP	1000pF 50V		チップセラコン	01
C627	US625100	C. CE. CHP	0.1uF 10V		チップセラコン	01
C628	WD758300	C. CE. CHP	10uF 10V		チップセラコン	01
C629	US634100	C. CE. CHP	0.01uF 16V		チップセラコン	01
C630	US663100	C. CE. CHP	1000pF 50V		チップセラコン	01
C631	WJ344400	C. CE. CHP	22uF 6.3V		チップセラコン	01
C632	WD758300	C. CE. CHP	10uF 10V		チップセラコン	01
C633	US634100	C. CE. CHP	0.01uF 16V		チップセラコン	01
C636	US126100	C. CE. CHP	1uF 10V		チップセラコン	01
C638	US663390	C. CE. CHP	3900pF 50V		チップセラコン	01
C639	US663100	C. CE. CHP	1000pF 50V		チップセラコン	01
C641	US663330	C. CE. CHP	3300pF 50V		チップセラコン	01
C643	US663100	C. CE. CHP	1000pF 50V		チップセラコン	01
C644-645	US625100	C. CE. CHP	0.1uF 10V		チップセラコン	01
C650	WD758300	C. CE. CHP	10uF 10V		チップセラコン	01
C651-653	US625100	C. CE. CHP	0.1uF 10V		チップセラコン	01
C654	WJ344400	C. CE. CHP	22uF 6.3V		チップセラコン	01
C656	US663390	C. CE. CHP	3900pF 50V		チップセラコン	01
C657	US663100	C. CE. CHP	1000pF 50V		チップセラコン	01
C658	US643680	C. CE. CHP	6800pF 25V		チップセラコン	01
C659	US663100	C. CE. CHP	1000pF 50V		チップセラコン	01
C660-661	US625100	C. CE. CHP	0.1uF 10V		チップセラコン	01
C662-669	US662100	C. CE. CHP	100pF 50V		チップセラコン	01
C670	WD758300	C. CE. CHP	10uF 10V		チップセラコン	01
C672	US634100	C. CE. CHP	0.01uF 16V		チップセラコン	01
C673-674	US663100	C. CE. CHP	1000pF 50V		チップセラコン	01
C676	US625100	C. CE. CHP	0.1uF 10V		チップセラコン	01
C677	US625100	C. CE. CHP	0.1uF 10V	RX-V500D	ABG	01
C678	US634100	C. CE. CHP	0.01uF 16V	RX-V500D	ABG	01
C682	WD758300	C. CE. CHP	10uF 10V		チップセラコン	01
C684	WD758300	C. CE. CHP	10uF 10V		チップセラコン	01
C687	US663100	C. CE. CHP	1000pF 50V		チップセラコン	01
C688	US625100	C. CE. CHP	0.1uF 10V		チップセラコン	01
C701	UF438100	C. EL. CHP	100uF 16V		チップケミコン	01
C702-703	UF437100	C. EL. CHP	10uF 16V		チップケミコン	01
C705	UF438100	C. EL. CHP	100uF 16V		チップケミコン	01
C9501-9502	UF018100	C. EL. CHP	100uF 6.3V		チップケミコン	01
C9503-9509	WG888300	C. CE. M. CHP	10uF 6.3V		チップ積層セラコン	01
C9510-9528	US625100	C. CE. CHP	0.1uF 10V		チップセラコン	01
C9530-9533	US663100	C. CE. CHP	1000pF 50V		チップセラコン	01
C9535-9543	US663100	C. CE. CHP	1000pF 50V		チップセラコン	01
C9545	US663100	C. CE. CHP	1000pF 50V		チップセラコン	01

* New Parts / 新規部品

RX-V475/HTR-4066

RX-V500D

DIGITAL

Ref No.	Part No.	Description	Remarks	Markets	部 品 名	ランク
C9548-9557	US634100	C. CE. CHP	0. 01uF 16V		チップセラコン	01
C9558	WJ932500	C. CE. CHP	1uF 6. 3V		チップセラコン	01
C9559	US625100	C. CE. CHP	0. 1uF 10V		チップセラコン	01
C9560	WJ932500	C. CE. CHP	1uF 6. 3V		チップセラコン	01
C9562	US044220	C. CE. CHP	0. 022uF 25V B		チップセラコン	01
C9563-9568	WG251600	C. CE. CHP	4. 7uF 6. 3V		チップセラコン	01
C9570-9571	WJ932500	C. CE. CHP	1uF 6. 3V		チップセラコン	01
C9572-9573	US661150	C. CE. CHP	15pF 50V		チップセラコン	01
C9575	US634100	C. CE. CHP	0. 01uF 16V		チップセラコン	01
C9577	US634100	C. CE. CHP	0. 01uF 16V		チップセラコン	01
C9588-9589	US634100	C. CE. CHP	0. 01uF 16V		チップセラコン	01
C9590-9591	US625100	C. CE. CHP	0. 1uF 10V		チップセラコン	01
D1	V6267600	DIODE	RB051L-40		ダイオード	01
D2	V2376600	D. SCHOTTKY	RB500V-40		ショットキーダイオード	01
D21-22	WW783900	DIODE	1SS355VM		ダイオード	01
D24	VV220700	D. SCHOTTKY	RB501V-40		ショットキーダイオード	01
D101	VV220700	D. SCHOTTKY	RB501V-40		ショットキーダイオード	01
D102	WW783900	DIODE	1SS355VM		ダイオード	01
D201	WR148500	DIODE	RB521S-30TE61		ダイオード	01
D204-205	WW783900	DIODE	1SS355VM		ダイオード	01
* IC2	YF279B00	IC. MEMORY	W25Q16CVSS1G	written	メモリ IC	
IC3	YE181A00	IC	TC7MBL3257CFK		ロジック IC	03
* IC4	YF097A00	IC	R1171S501B-E2-FE		電源 IC	
IC5	YC289A00	IC	RP130Q501D-TR		電源 IC	01
IC6	YD987A00	IC	R1163N501B-TR-FE		電源 IC	01
IC9	X7787A00	IC	TC74LCX245FT (EL, K)		ロジック IC	02
IC10	YA354A00	IC	74LVC08APW AND		ロジック IC	01
* IC11	YE997A00	IC	NCP380HMUAJAATBG		電源 IC	
IC22	YE182A00	IC. MEMORY	R1EX25032ATA00A		メモリ IC	01
IC24-25	YC288A00	IC	RP130Q331D-TR-F		電源 IC	01
* IC26	X8388A00	IC	TC7WH126FK		ロジック IC	
IC27	X4453A00	IC	SN74LVC1G17DCKR		ロジック IC	01
IC42	X9625C00	IC. MEMORY	M12L64164A-5TG2Y		メモリ IC	
* IC43	YF280B00	IC. MEMORY	MX29LV160DBTI-70G	written	メモリ IC	
IC44	YC289A00	IC	RP130Q501D-TR		電源 IC	01
IC45	X9292A00	IC	R1172H121D-T1-F		電源 IC	01
IC61	YD216A00	IC	PCM9211PTR		IC	04
IC62	X9870A00	IC	PCM1681PWPR		IC	07
IC64	YC288A00	IC	RP130Q331D-TR-F		電源 IC	01
IC65	X9292A00	IC	R1172H121D-T1-F		電源 IC	01
IC66	YE478A00	IC	BD7542F-E2 OPAMP		アンプ IC	01
IC70	YA255A00	IC	R1172H501D-T1-F		電源 IC	03
IC71	X8201A00	IC	TC7WH125FK		ロジック IC	01
* IC952	YF282A00	IC. MEMORY	A3V56S30FTP-G6		メモリ IC	
* IC953	YF281B00	IC. MEMORY	MX29GL256FLT21-90Q	written	メモリ IC	
* IC954	YF282A00	IC. MEMORY	A3V56S30FTP-G6		メモリ IC	
Q3	WE834500	FET	UPA672T-T1-A		FET	01
Q12	WZ703400	FET	RALQ35P01		MOS FET	01
Q13	WW782000	TR. DGT	DTA044EUBTL		デジタルトランジスタ	
Q14	WW782300	TR. DGT	DTC044EUBTL		デジタルトランジスタ	
Q15	WZ461700	TR. CHP	2SA1576UBTLR		チップトランジスタ	
Q16	WW782300	TR. DGT	DTC044EUBTL		デジタルトランジスタ	
Q201-203	WY001400	TR. ARRAY	HN4B01JE		トランジスタアレイ	01
Q204	WZ461800	TR. CHP	2SC4081UBTLR		チップトランジスタ	
Q205-210	WZ461700	TR. CHP	2SA1576UBTLR		チップトランジスタ	
Q211	WY001400	TR. ARRAY	HN4B01JE		トランジスタアレイ	01
Q401	WZ703400	FET	RALQ35P01		MOS FET	01

* New Parts / 新規部品

DIGITAL and OPERATION

Ref No.	Part No.	Description	Remarks	Markets	部 品 名	ランク	
Q402	WW782000	TR. DGT	DTA044EUBTL			デジタルトランジスタ	
Q601	WW782100	TR. DGT	DTC014EUBTL			デジタルトランジスタ	
Q602	WW782000	TR. DGT	DTA044EUBTL			デジタルトランジスタ	
Q604	WW782000	TR. DGT	DTA044EUBTL			デジタルトランジスタ	
Q605-607	WZ703400	FET	RAL035P01			MOS FET	01
Q608	WW782000	TR. DGT	DTA044EUBTL	RX-V500D	ABG	デジタルトランジスタ	
Q609	WZ703400	FET	RAL035P01	RX-V500D	ABG	MOS FET	01
Q902	WE834500	FET	UPA672T-T1-A			FET	01
R615	WZ713400	R. CHP	0. 027Ω 1/3W			チップ抵抗	
R9501-9504	WZ748900	R. CHP	49. 9Ω 1/16W			チップ抵抗	
R9505	WZ749000	R. CHP	12. 4KΩ 1/16W			チップ抵抗	01
XL1	ZA692800	RSNR. CRY	27MHz DSX321G			水晶振動子	01
XL21	WA782500	RSNR. CE	8MHz			セラミック振動子	01
XL61	WS190000	RSNR. CRY	24. 576MHZ DSX321G			水晶振動子	02
XL951	WJ081300	RSNR. CRY	24MHz DSX321G			水晶振動子	01
*	ZF467600	P. C. B.	OPERATION	RX-V475	J	PCB OPERATION	
*	ZF467700	P. C. B.	OPERATION	RX-V475, HTR-4066	U	PCB OPERATION	
*	ZF467800	P. C. B.	OPERATION	RX-V475	C	PCB OPERATION	
*	ZF467900	P. C. B.	OPERATION	RX-V475, HTR-4066	RS	PCB OPERATION	
*	ZF468000	P. C. B.	OPERATION	RX-V475, HTR-4066	T	PCB OPERATION	
*	ZF468100	P. C. B.	OPERATION	RX-V475, HTR-4066	K	PCB OPERATION	
*	ZF468200	P. C. B.	OPERATION	RX-V475, HTR-4066	A	PCB OPERATION	
*	ZF478600	P. C. B.	OPERATION	RX-V500D	A	PCB OPERATION	
*	ZF468300	P. C. B.	OPERATION	RX-V475, HTR-4066	BGF	PCB OPERATION	
*	ZF478700	P. C. B.	OPERATION	RX-V500D	BG	PCB OPERATION	
*	ZF468400	P. C. B.	OPERATION	RX-V475, HTR-4066	LH	PCB OPERATION	
	CB402	VQ044900	CN. BS. PIN	19P		コネクタ	01
	CB405	VQ047200	CN. BS. PIN	9P		コネクタ	01
	CB407	WQ680200	CN. USB	4P TE AAPVA004C0		USBコネクタ	02
	CB477	VB858300	CN. BS. PIN	4P		コネクタ	01
	CB504	VQ046900	CN. BS. PIN	5P		コネクタ	01
	CB505	VK024700	CN. BS. PIN	3P		コネクタ	01
	CB522	VK026300	CN. BS. PIN	4P		コネクタ	01
	CB524	LB919080	CN. BS. PIN	8P		コネクタ	02
	CB525	VK024700	CN. BS. PIN	3P		コネクタ	01
	CB532	WZ022500	CN. USB	4P UAR27 SE		USBコネクタ	02
△	CB541	VG879900	CN. BS. PIN	2P		コネクタ	01
	CB542-543	WN103000	CLIP. FUSE	TP00351-31		ヒューズクリップ	01
△	CB544	VG879900	CN. BS. PIN	2P		コネクタ	01
	C4001	US065100	C. CE. CHP	0. 1uF 50V B		チップセラコン	01
	C4002	US163100	C. CE. CHP	1000pF 50V		チップセラコン	01
	C4003-4004	US135100	C. CE. CHP	0. 1uF 16V		チップセラコン	01
	C4005	US163100	C. CE. CHP	1000pF 50V		チップセラコン	01
	C4007	UR268220	C. EL	220uF 50V		ケミコン	01
	C4008	UM388330	C. EL	330uF 6. 3V		ケミコン	01
	C4009	US135100	C. CE. CHP	0. 1uF 16V		チップセラコン	01
	C4010	US061680	C. CE. CHP	68pF 50V B		チップセラコン	01
	C4011	US065100	C. CE. CHP	0. 1uF 50V B		チップセラコン	01
	C4012	US064100	C. CE. CHP	0. 01uF 50V B		チップセラコン	01
	C4013	US065100	C. CE. CHP	0. 1uF 50V B		チップセラコン	01
	C4015	UM388100	C. EL	100uF 6. 3V		ケミコン	01
	C4016	US064100	C. CE. CHP	0. 01uF 50V B		チップセラコン	01
	C4017	UR239100	C. EL	1000uF 16V		ケミコン	01
	C4018	US135100	C. CE. CHP	0. 1uF 16V		チップセラコン	01

* New Parts / 新規部品

OPERATION

Ref No.	Part No.	Description	Remarks	Markets	部 品 名	ランク
	C4021-4022	US062100 C. GE. CHP	100pF 50V B		チップセラコン	01
	C4023-4027	US135100 C. GE. CHP	0. 1uF 16V		チップセラコン	01
	C4028-4029	US063680 C. GE. CHP	6800pF 50V B		チップセラコン	01
	C4033	WD758300 C. GE. CHP	10uF 10V		チップセラコン	01
	C4034	US063100 C. GE. CHP	1000pF 50V B		チップセラコン	01
	C4038-4039	US064100 C. GE. CHP	0. 01uF 50V B		チップセラコン	01
	C4043-4044	US061470 C. GE. CHP	47pF 50V B		チップセラコン	01
△	C4501	US063100 C. GE. CHP	1000pF 50V B		チップセラコン	01
△	C4502	UM397100 C. EL	10uF 16V		ケミコン	01
△	C4503	US064100 C. GE. CHP	0. 01uF 50V B		チップセラコン	01
△	C4504	WV360900 C. EL	22uF 16V		ケミコン	01
△	C4505	US062100 C. GE. CHP	100pF 50V B		チップセラコン	01
	C4506	UM397470 C. EL	47uF 16V		ケミコン	01
	C4507	US061330 C. GE. CHP	33pF 50V B		チップセラコン	01
△	C4510-4511	WV360900 C. EL	22uF 16V		ケミコン	01
△	C4512	UM397100 C. EL	10uF 16V		ケミコン	01
	C4701-4702	US063100 C. GE. CHP	1000pF 50V B		チップセラコン	01
	C4761-4762	WJ609500 C. MYLAR	3300pF 100V		マイラーコン	01
	C4763	US064100 C. GE. CHP	0. 01uF 50V B		チップセラコン	01
	C4764	US063100 C. GE. CHP	1000pF 50V B		チップセラコン	01
	C5003-5004	US062100 C. GE. CHP	100pF 50V B		チップセラコン	01
	C5005-5007	US060800 C. GE. CHP	8pF 50V B		チップセラコン	01
	C5009-5012	UR237100 C. EL	10uF 16V		ケミコン	
	C5013-5018	WD758300 C. GE. CHP	10uF 10V		チップセラコン	01
	C5019-5020	WG251600 C. GE. CHP	4. 7uF 6. 3V		チップセラコン	01
	C5021	US135100 C. GE. CHP	0. 1uF 16V		チップセラコン	01
	C5022	UR237100 C. EL	10uF 16V		ケミコン	
	C5023	UR837220 C. EL	22uF 16V		ケミコン	01
	C5024-5035	US135100 C. GE. CHP	0. 1uF 16V		チップセラコン	01
	C5036-5037	UR238100 C. EL	100uF 16V		ケミコン	
	C5038-5042	US135100 C. GE. CHP	0. 1uF 16V		チップセラコン	01
	C5043	WD758300 C. GE. CHP	10uF 10V		チップセラコン	01
	C5201	UR237330 C. EL	33uF 16V		ケミコン	
	C5202	UR237470 C. EL	47uF 16V		ケミコン	01
	C5203	UR237330 C. EL	33uF 16V		ケミコン	
	C5204	UR237470 C. EL	47uF 16V		ケミコン	01
	C5205	UR266100 C. EL	1uF 50V		ケミコン	01
△	C5206-5207	UR267100 C. EL	10uF 50V		ケミコン	
	C5209-5210	UR267100 C. EL	10uF 50V		ケミコン	
	C5212	UR266100 C. EL	1uF 50V		ケミコン	01
	C5213-5214	UR239220 C. EL	2200uF 16V		ケミコン	02
	C5215	UR249470 C. EL	4700uF 25V		ケミコン	04
	C5216	UR249220 C. EL	2200uF 25V		ケミコン	02
	C5217-5220	WJ611400 C. MYLAR	0. 1uF 100V J		マイラーコン	01
	C5221	WJ610200 C. MYLAR	0. 01uF 100V		マイラーコン	01
	C5222	US135100 C. GE. CHP	0. 1uF 16V		チップセラコン	01
	C5301	UR838100 C. EL	100uF 16V		ケミコン	01
	C5302	US063100 C. GE. CHP	1000pF 50V B		チップセラコン	01
	C5401	WJ361200 C. POL. MTL	0. 047uF 400V	JUC	メタライズドポリコン	
	C5401	WJ361800 C. POL. MTL	0. 022uF 630V	RTKABGFLSH	メタライズドポリコン	
	C5402-5403	WQ902300 C. GE. SAFTY	1000pF 250V		規格認定コンデンサ	01
	C5404	V5877700 C. MYLAR	0. 22uF 250V		マイラーコン	03
	C5405	WQ939400 C. GE. SAFTY	0. 01uF 250V		規格認定コンデンサ	01
△	C5406	WJ610400 C. MYLAR	0. 015uF 100V		マイラーコン	
	C5407	WW766000 C. EL	220uF 220V	JUC	ケミコン	
	C5407	WW766100 C. EL	150uF 400V	RS	ケミコン	
	C5407	WQ852500 C. EL	68uF 400V	TKABGFLH	ケミコン	

* New Parts / 新規部品

OPERATION

Ref No.	Part No.	Description	Remarks	Markets	部 品 名	ランク
△	C5408	UR867220 C. EL	22uF 50V		ケミコン	01
△	C5410	WR246900 C. CE. CHP	3300pF 250V		チップセラコン	
△	C5411	WY685500 C. CE. SAFTY	3300pF 250V	JUC	規格認定コンデンサ	01
△	C5411	WQ902200 C. CE. SAFTY	2200pF 250V	RKABGFLSH	規格認定コンデンサ	01
△	C5411	WQ857000 C. CE. SAFTY	680pF 250V	T	規格認定コンデンサ	
	C5412	WJ361200 C. POL. MTL	0.047uF 400V	JUC	メタライズドポリコン	
	C5412	WJ361800 C. POL. MTL	0.022uF 630V	RTKABGFLSH	メタライズドポリコン	
	C5413	WJ322300 C. CE. M. CHP	1000pF 630V		チップ積層セラコン	01
	C5414-5415	WH776400 C. EL	2200uF 25V		ケミコン	03
	C5416	US034470 C. CE. CHP	0.047uF 16V B		チップセラコン	01
	C5418	WH771600 C. EL	220uF 10V		ケミコン	
	C5419	WJ608900 C. MYLAR	1000pF 100V		マイラーコン	01
	C5420	US064100 C. CE. CHP	0.01uF 50V B		チップセラコン	01
	C5421	WY269800 C. EL	1uF 50V RX		ケミコン	
	C5422	WY269900 C. EL	2.2uF 50V RX		ケミコン	
	C5423	US064100 C. CE. CHP	0.01uF 50V B		チップセラコン	01
	D4003-4004	WW783900 DIODE	1SS355VM		ダイオード	01
	D4005-4006	WY163000 DIODE. ZENR	UDZV4.3B		ツェナーダイオード	01
	D4007-4008	WW783900 DIODE	1SS355VM		ダイオード	01
	D4013-4016	WW783900 DIODE	1SS355VM		ダイオード	01
	D4501-4502	WW783900 DIODE	1SS355VM		ダイオード	01
	D4503	WY163200 DIODE. ZENR	UDZV5.1B		ツェナーダイオード	01
	D4504	WR095700 LED	8224-10SDRD/S530A3		LED	01
	D4761-4762	WW783900 DIODE	1SS355VM		ダイオード	01
	D5201	WW783900 DIODE	1SS355VM		ダイオード	01
	D5202	WY163300 DIODE. ZENR	UDZV5.6B	RX-V475, HTR-4066	ツェナーダイオード	
	D5202	WY162900 DIODE. ZENR	UDZV3.9B	RX-V500D	ツェナーダイオード	
△	D5204	WH487300 DIODE. BRG	RS203M 2.0A 200V	ABG	ブリッジダイオード	02
	D5205	WY164100 DIODE. ZENR	UDZV12B	RS	ツェナーダイオード	
△	D5206	WH487300 DIODE. BRG	RS203M 2.0A 200V		ブリッジダイオード	02
	D5207-5208	WW783900 DIODE	1SS355VM		ダイオード	01
△	D5401	WW872000 DIODE. BRG	DBL155G 1.5A 600		ブリッジダイオード	
△	D5402	WE665600 DIODE	RF101L2STE25		ダイオード	
△	D5403	WW170700 DIODE	SARS05		ダイオード	
	D5404	WW745500 D. SCHOTTKY	RB215T-90 20A 90V		ショットキーダイオード	
△	D5405-5414	WW783900 DIODE	1SS355VM		ダイオード	01
△	F5401	WR944000 FUSE	2A 250V		ヒューズ	
△	F5402	WB221200 FUSE	T6A 125V	JUCRS	ヒューズ	01
△	F5402	VV071700 FUSE	3.15A 250V	TKABGFLH	ヒューズ	01
	IC401	X6386A00 IC	M66003-0131FP		IC	07
	IC471	X7378A00 IC	NJM4565M (TE1)		アンプ IC	01
	IC501	YE018A00 IC	NJM41033V		アンプ IC	03
	IC502	YD948A00 IC	NJW1329FH2		IC	05
	IC521	X6248A00 IC	NJM2388F33		電源 IC	04
△	IC522	X4153A00 IC	KIA7812AP1		電源 IC	02
△	IC523	X4154A00 IC	KIA7912P1		電源 IC	03
	IC524	YA381A00 IC	LM19CIZ/LF THERMAL		電源 IC	04
	IC525	YA381A00 IC	LM19CIZ/LF THERMAL	UC	電源 IC	04
△	IC541	YD188A00 IC	STR2A153		電源 IC	05
△	IC542	WP388200 PHOT. CPL	TLP781 (D4-GR, F)		フォトカブラ	01
△	IC543	YA276A00 IC	TL431AC 2.5-36V		電源 IC	02
△	IC544	WP388200 PHOT. CPL	TLP781 (D4-GR, F)		フォトカブラ	01
	JK401	ZA305700 JACK. MINI	MSJ-035-05A-B-RF		ステレオミニジャック	01
	JK451	WJ117300 JACK. MNI	MSJ-2200C AG		ミニジャック	02
	JK476	WZ975700 JACK. PHONE	MSJ-064-05B-B-RF		PHONESジャック	02
	PJ401	WZ631700 JACK. PIN	1P MTJ-032-21B-N1		ピンジャック	01
	PJ501	WH381400 JACK. PIN	3P JACK G, B, R		ピンジャック	03

* New Parts / 新規部品

OPERATION and MAIN

Ref No.	Part No.	Description	Remarks	Markets	部 品 名	ランク
PJ502-504	V7190000	JACK. PIN	2P		ピンジャック	
PJ505	WG505100	JACK. PIN	6P		ピンジャック	04
PN521	WS488500	STYLE. PIN	L=90 #18		スタイルピン	01
Q4001-4004	WC529400	TR	KTC3875S Y GR RTK		トランジスタ	01
Q4501	WC529400	TR	KTC3875S Y GR RTK		トランジスタ	01
Q5201	VP872700	TR	2SC4488 S, T		トランジスタ	01
Q5202	WC529400	TR	KTC3875S Y GR RTK		トランジスタ	01
Q5203	VJ927200	TR	2SA1162-Y (TE85R, F)		トランジスタ	01
Q5204	ZA348800	TR	KTA1046-Y-U/PFY		トランジスタ	01
Q5205	VJ927200	TR	2SA1162-Y (TE85R, F)		トランジスタ	01
Q5401-5402	WZ461800	TR. CHP	2SC4081UBTLR		チップトランジスタ	
Q5403	WC435100	TR. DGT	KRC104S-RTK		デジタルトランジスタ	01
R4042-4043	WW969500	R. MTL. OXD	120Ω 1/4W		酸化金属被膜抵抗	
R4763-4764	V8071300	R. MTL. FLM	470Ω 1W		金属被膜抵抗	01
R5028	WW965300	R. MTL. OXD	2. 2Ω 1/4W		酸化金属被膜抵抗	
R5207-5208	WW972900	R. MTL. OXD	3. 3KΩ 1/4W		酸化金属被膜抵抗	
△ R5212	WW967500	R. MTL. OXD	18Ω 1/4W		酸化金属被膜抵抗	
R5220	WW972500	R. MTL. OXD	2. 2KΩ 1/4W	RS	酸化金属被膜抵抗	
R5224	V8070000	R. MTL. FLM	1Ω 1W		金属被膜抵抗	01
R5227	V8070000	R. MTL. FLM	1Ω 1W		金属被膜抵抗	01
△ R5401-5402	WR033300	R. CHP	4. 7KΩ 1/4W		チップ抵抗	
△ R5403	WU547900	R. ANT I. SURGE	3MΩ 1/2W		耐サージ固定抵抗	
△ R5404	WY078600	R. CHP	0. 75Ω 1W		チップ抵抗	
△ R5406	WW745400	R. CHP	150KΩ 1/2W		チップ抵抗	
△ R5407	VF167800	R. CHP	47Ω 1W		チップ抵抗	
△ RY541	WQ804100	RELAY	DC DLS5D1-0 (M) 0. 25		リレー	04
SW401-404	WD483100	SW. TACT	SKRGAAD010		タクトスイッチ	01
SW407-409	WD483100	SW. TACT	SKRGAAD010		タクトスイッチ	01
SW411-421	WD483100	SW. TACT	SKRGAAD010		タクトスイッチ	01
SW451	WD483100	SW. TACT	SKRGAAD010		タクトスイッチ	01
SW471	WD483100	SW. TACT	SKRGAAD010		タクトスイッチ	01
SW473	V9597100	SW. RT. ENC	EC12E2460802		ロータリーエンコーダ	04
△ T5401	YD325A00	TRANS. PWR			電源トランス	
△ TH541	WF544600	PTC. THERM I STOR	NTPAD5R1LDNBO 5. 1		PTCサーミスタ	03
U4001	WW715100	L. DTCT	SIR8430MH6		リモコン受光ユニット	03
* V4001	ZG266300	FL. DSPLY	18-MT-11GNAK		蛍光表示管	
	ZA889400	SPACER	4. 3x8x30		スペーサー	01
	WE774200	SCR. BND. HD	3x10 MFZN2W3		バインドBタイトネジ	01
* ZF467000	P. C. B.	MAIN		J	PCB MAIN	
* ZF467100	P. C. B.	MAIN		UCTA	PCB MAIN	
* ZF467200	P. C. B.	MAIN		RS	PCB MAIN	
* ZF467300	P. C. B.	MAIN		KBGFLH	PCB MAIN	
CB208	LB932060	CN. BS. PIN	6P		コネクタ	01
CB209	VQ963700	CN. BS. PIN	16P		コネクタ	02
CB210	VQ963900	CN. BS. PIN	18P		コネクタ	03
CB211	VM973500	CN. BS. PIN	17P		コネクタ	01
CB251	VQ963400	CN. BS. PIN	13P		コネクタ	01
CB252	VQ962100	CN. BS. PIN	18P		コネクタ	03
CB271	VQ963600	CN. BS. PIN	15P		コネクタ	01
CB272	VQ961900	HOUSING	16P		ハウジング	03
CB351	V9377900	CN. BS. PIN	4P	RS	コネクタ	01
CB352-353	WN077700	CLIP. FUSE	CLIP PFC5000-0202F	RS	ヒューズクリップ	
CB371	VQ044400	CN. BS. PIN	9P		コネクタ	01
CB372	VB858600	CN. BS. PIN	7P		コネクタ	01

* New Parts / 新規部品

MAIN

Ref No.	Part No.	Description	Remarks	Markets	部 品 名	ランク
CB373	VB858200	CN. BS. PIN	3P		コネクタ	01
C2001-2003	UU237100	C. EL	10uF 16V		ケミコン	01
C2004-2005	WY270200	C. EL	10uF 50V		ケミコン	01
C2009	US062120	C. CE. CHP	120pF 50V B		チップセラコン	01
C2010	US062220	C. CE. CHP	220pF 50V B		チップセラコン	01
C2011	US062120	C. CE. CHP	120pF 50V B		チップセラコン	01
C2012	US062220	C. CE. CHP	220pF 50V B		チップセラコン	01
C2013	US062120	C. CE. CHP	120pF 50V B		チップセラコン	01
C2014	US062220	C. CE. CHP	220pF 50V B		チップセラコン	01
C2015	US062120	C. CE. CHP	120pF 50V B		チップセラコン	01
C2016	US062220	C. CE. CHP	220pF 50V B		チップセラコン	01
C2017	US062120	C. CE. CHP	120pF 50V B		チップセラコン	01
C2018	US062220	C. CE. CHP	220pF 50V B		チップセラコン	01
C2023	WJ609500	C. MYLAR	3300pF 100V		マイラーコン	01
C2024	UR237470	C. EL	47uF 16V		ケミコン	01
C2025	WJ609500	C. MYLAR	3300pF 100V		マイラーコン	01
C2026	UR237470	C. EL	47uF 16V		ケミコン	01
C2027	WJ609500	C. MYLAR	3300pF 100V		マイラーコン	01
C2028	UR237470	C. EL	47uF 16V		ケミコン	01
C2029	WJ609500	C. MYLAR	3300pF 100V		マイラーコン	01
C2030	UR237470	C. EL	47uF 16V		ケミコン	01
C2031	WJ609500	C. MYLAR	3300pF 100V		マイラーコン	01
C2032	UR237470	C. EL	47uF 16V		ケミコン	01
C2037-2041	WQ627600	C. CE	22pF 500V		セラコン	01
C2044-2048	WJ608400	C. MYLAR	330pF 100V		マイラーコン	
C2058	UR267100	C. EL	10uF 50V		ケミコン	
C2060	UU267100	C. EL	10uF 50V		ケミコン	01
C2061	UR267100	C. EL	10uF 50V		ケミコン	
C2063-2064	UU267100	C. EL	10uF 50V		ケミコン	01
C2065-2069	WJ610600	C. MYLAR	0.022uF 100V		マイラーコン	01
C2072-2073	WN156000	C. PP	1000pF 250V		PPコン	01
C2075	UR866470	C. EL	4.7uF 50V		ケミコン	01
C2076	UR828220	C. EL	220uF 10V		ケミコン	01
C2077	UU267100	C. EL	10uF 50V		ケミコン	01
C2078	UR267330	C. EL	33uF 50V		ケミコン	01
C2079-2080	UR297100	C. EL	10uF 100V		ケミコン	
C2081	US063100	C. CE. CHP	1000pF 50V B		チップセラコン	01
C2082-2083	UR297100	C. EL	10uF 100V		ケミコン	
△ C2084	ZC889300	C. EL	6800uF 63V	JKBGFLH	ケミコン	
△ C2084	WE514200	C. EL	6800uF 63V	UCRTAS	ケミコン	
△ C2085	ZC889300	C. EL	6800uF 63V	JKBGFLH	ケミコン	
△ C2085	WE514200	C. EL	6800uF 63V	UCRTAS	ケミコン	
C2087-2089	WJ610200	C. MYLAR	0.01uF 100V		マイラーコン	01
C2091	WJ610200	C. MYLAR	0.01uF 100V		マイラーコン	01
C2094-2096	WJ610200	C. MYLAR	0.01uF 100V		マイラーコン	01
C2097-2099	WJ610400	C. MYLAR	0.015uF 100V		マイラーコン	01
C2100	UR278100	C. EL	100uF 63V		ケミコン	01
C2101	UR267100	C. EL	10uF 50V		ケミコン	
C2102	UR258100	C. EL	100uF 35V		ケミコン	01
C2103-2104	WJ611400	C. MYLAR	0.1uF 100V J		マイラーコン	01
C2105	UR268100	C. EL	100uF 50V		ケミコン	
C2106	UR267470	C. EL	47uF 50V		ケミコン	01
C2107-2109	US035100	C. CE. CHP	0.1uF 16V B		チップセラコン	01
C2110-2111	US061220	C. CE. CHP	22pF 50V B		チップセラコン	01
C2112	US035100	C. CE. CHP	0.1uF 16V B		チップセラコン	01
C2113-2115	WY270200	C. EL	10uF 50V		ケミコン	01
C2116	US035100	C. CE. CHP	0.1uF 16V B		チップセラコン	01

* New Parts / 新規部品

RX-V475/HTR-4066

RX-V500D

MAIN

Ref No.	Part No.	Description	Remarks	Markets	部 品 名	ランク	
C2117-2120	US062220	C. GE. CHP	220pF	50V B		チップセラコン	01
C2121	UR837100	C. EL	10uF	16V		ケミコン	01
C2123	US061470	C. GE. CHP	47pF	50V B		チップセラコン	01
C2124	US035100	C. GE. CHP	0. 1uF	16V B		チップセラコン	01
C2126	US035100	C. GE. CHP	0. 1uF	16V B		チップセラコン	01
C2127	US061470	C. GE. CHP	47pF	50V B		チップセラコン	01
C2128	UR837100	C. EL	10uF	16V		ケミコン	01
C2129	US062220	C. GE. CHP	220pF	50V B		チップセラコン	01
C2130-2131	WY270200	C. EL	10uF	50V		ケミコン	01
C2132	US062220	C. GE. CHP	220pF	50V B		チップセラコン	01
C2135-2136	UR067470	C. EL	47uF	50V		ケミコン	01
C2137	VR169200	C. MYLAR	0. 47uF	50V		マイラーコン	01
C2138	US062100	C. GE. CHP	100pF	50V B		チップセラコン	01
C2139	US064100	C. GE. CHP	0. 01uF	50V B		チップセラコン	01
C2140	WY270200	C. EL	10uF	50V		ケミコン	01
C2141-2142	UR267470	C. EL	47uF	50V		ケミコン	01
C2143-2144	WY270200	C. EL	10uF	50V		ケミコン	01
C2145-2146	US062820	C. GE. CHP	820pF	50V B		チップセラコン	01
C2147-2148	UR277470	C. EL	47uF	63V		ケミコン	01
C2505	US062100	C. GE. CHP	100pF	50V B		チップセラコン	01
C2506	UR267100	C. EL	10uF	50V		ケミコン	01
C2507	WY270200	C. EL	10uF	50V		ケミコン	01
C2508	WJ608700	C. MYLAR	680pF	100V		マイラーコン	01
C2510	UR267470	C. EL	47uF	50V		ケミコン	01
C2512	UR267470	C. EL	47uF	50V		ケミコン	01
C2513	WJ608700	C. MYLAR	680pF	100V		マイラーコン	01
C2514	WY270200	C. EL	10uF	50V		ケミコン	01
C2515	UR267100	C. EL	10uF	50V		ケミコン	01
C2516-2517	US062100	C. GE. CHP	100pF	50V B		チップセラコン	01
C2518-2519	WY270200	C. EL	10uF	50V		ケミコン	01
C2520	WJ608700	C. MYLAR	680pF	100V		マイラーコン	01
C2523	WJ608700	C. MYLAR	680pF	100V		マイラーコン	01
C2524-2525	WY270200	C. EL	10uF	50V		ケミコン	01
C2526	US062100	C. GE. CHP	100pF	50V B		チップセラコン	01
C2527	WJ609900	C. MYLAR	6800pF	100V		マイラーコン	01
C2528-2529	WY270200	C. EL	10uF	50V		ケミコン	01
C2530	WJ611000	C. MYLAR	0. 047uF	100V		マイラーコン	01
C2533	WJ608700	C. MYLAR	680pF	100V		マイラーコン	01
C2534	WY270200	C. EL	10uF	50V		ケミコン	01
C2535	UR267100	C. EL	10uF	50V		ケミコン	01
C2536	US062100	C. GE. CHP	100pF	50V B		チップセラコン	01
C2541	UU238100	C. EL	100uF	16V		ケミコン	01
C2543	UU238100	C. EL	100uF	16V		ケミコン	01
C2701	UR067100	C. EL	10uF	50V		ケミコン	01
C2702	UU238100	C. EL	100uF	16V		ケミコン	01
D2003-2012	WW783900	DIODE	1SS355VM			ダイオード	01
△ D2017-2021	WY163200	DIODE. ZENR	UDZV5. 1B			ツェナーダイオード	01
D2024-2028	WW783900	DIODE	1SS355VM			ダイオード	01
D2031	WY164200	DIODE. ZENR	UDZV13B			ツェナーダイオード	01
D2032-2041	WW783900	DIODE	1SS355VM			ダイオード	01
D2043	WW783900	DIODE	1SS355VM			ダイオード	01
△ D2044	WU201600	DIODE	1N4003S TP			ダイオード	01
D2045	WW783900	DIODE	1SS355VM			ダイオード	01
△ D2046	WA653200	DIODE. BRG	TS6P03G 6A 200V			ブリッジダイオード	04
D2047	WW783900	DIODE	1SS355VM			ダイオード	01
D2048	ZC567600	DIODE. ZENR	UDZS39B TE-17 39V			ツェナーダイオード	01
D2049	WW783900	DIODE	1SS355VM			ダイオード	01

* New Parts / 新規部品

MAIN

Ref No.	Part No.	Description	Remarks	Markets	部 品 名	ランク
* D2050-2051	ZA503400	D10DE. ZENR	TFZGTR6. 8C 6. 8V		ツェナーダイオード	
D2701	WW783900	D10DE	1SS355VM		ダイオード	01
△ F3501	VV071700	FUSE	3. 15A 250V	RS	ヒューズ	01
IC201	YD953A00	IC	BD3473KS2		IC	05
IC202	YD779A00	IC	BA4560F OP AMP		アンプ IC	01
IC203	XZ509A00	IC	TC74VHCU04FT INVER		ロジック IC	01
IC251-253	YD779A00	IC	BA4560F OP AMP		アンプ IC	01
IC271	X4928A00	IC	KIA7805API 5V		電源 IC	02
PJ201	V9420700	JACK. PIN	2P MSP-252V1-30N1		ピンジャック	
PJ202-203	V7046700	JACK. PIN	4P MSP-244V1-01N1		ピンジャック	03
PJ205	V7189700	JACK. PIN	1P		ピンジャック	01
Q2001-2005	WK452300	TR	2SC2713 GR		トランジスタ	
Q2008-2012	WK452300	TR	2SC2713 GR		トランジスタ	
Q2015-2019	V3966800	TR	2SA949 O, Y		トランジスタ	02
△ Q2022-2025	ZD495300	TR	2SC4115S S		トランジスタ	
△ Q2028	ZD495300	TR	2SC4115S S		トランジスタ	
△ Q2029-2033	VR325600	TR	2SC2229 O, Y		トランジスタ	01
△ Q2036	VP872700	TR	2SC4488 S, T		トランジスタ	01
△ Q2037	VP872600	TR	2SA1708 S, T		トランジスタ	01
△ Q2038	VP872700	TR	2SC4488 S, T		トランジスタ	01
△ Q2039	VP872600	TR	2SA1708 S, T		トランジスタ	01
△ Q2040	VP872700	TR	2SC4488 S, T		トランジスタ	01
△ Q2041	VP872600	TR	2SA1708 S, T		トランジスタ	01
△ Q2042	VP872700	TR	2SC4488 S, T		トランジスタ	01
△ Q2043	VP872600	TR	2SA1708 S, T		トランジスタ	01
△ Q2044	VP872700	TR	2SC4488 S, T		トランジスタ	01
△ Q2045	VP872600	TR	2SA1708 S, T		トランジスタ	01
Q2064-2068	WK452300	TR	2SC2713 GR		トランジスタ	
Q2071	V7421800	TR	2SA1312-GR, BL		トランジスタ	01
△ Q2072	VP872600	TR	2SA1708 S, T		トランジスタ	01
△ Q2073	WC398400	TR	2N5551C-AT		トランジスタ	01
△ Q2074	WC397700	TR	2N5401C-AT		トランジスタ	01
△ Q2075-2076	WW510000	TR	KTA1659A-Y-U/PF		トランジスタ	01
Q2077	WB228800	TR	KTC3198 Y AT		トランジスタ	01
△ Q2078	WC398400	TR	2N5551C-AT		トランジスタ	01
Q2079	WC435000	TR. DGT	KRC102S-RTK		デジタルトランジスタ	01
Q2080	WC434900	TR. DGT	KRA104S-RTK		デジタルトランジスタ	01
Q2083	WC435000	TR. DGT	KRC102S-RTK		デジタルトランジスタ	01
Q2084	WC434900	TR. DGT	KRA104S-RTK		デジタルトランジスタ	01
Q2085	WC435000	TR. DGT	KRC102S-RTK		デジタルトランジスタ	01
Q2086	WC434900	TR. DGT	KRA104S-RTK		デジタルトランジスタ	01
Q2087-2088	WC435000	TR. DGT	KRC102S-RTK		デジタルトランジスタ	01
Q2089	WC434900	TR. DGT	KRA104S-RTK		デジタルトランジスタ	01
△ Q2090	VP872600	TR	2SA1708 S, T		トランジスタ	01
Q2091	WC434900	TR. DGT	KRA104S-RTK		デジタルトランジスタ	01
Q2092-2096	WC883400	TR	2SD2704 K		トランジスタ	
Q2099-2100	WC883400	TR	2SD2704 K		トランジスタ	
△ R2114-2119	WC862200	R. MTL. FLM	120Ω 1W		金属被膜抵抗	01
△ R2120-2123	HL005120	R. MTL. OXD	120Ω 1/2W		酸化金属被膜抵抗	01
△ R2135-2136	HL004100	R. MTL. OXD	10Ω 1/2W		酸化金属被膜抵抗	
△ R2138-2141	HL004100	R. MTL. OXD	10Ω 1/2W		酸化金属被膜抵抗	
△ R2143-2145	HL004100	R. MTL. OXD	10Ω 1/2W		酸化金属被膜抵抗	
△ R2148	HL004100	R. MTL. OXD	10Ω 1/2W		酸化金属被膜抵抗	
△ R2149-2153	WP839400	R. CEMENT	0. 22+0. 22 3W		セメント抵抗	01
* R2156-2158	WW865600	R. CAR. FP	4. 7KΩ 1/4W		不燃化カーボン抵抗	
* R2160	WW865600	R. CAR. FP	4. 7KΩ 1/4W		不燃化カーボン抵抗	
* R2162	WW865600	R. CAR. FP	4. 7KΩ 1/4W		不燃化カーボン抵抗	

* New Parts / 新規部品

RX-V475/HTR-4066

RX-V500D

RX-V500D

MAIN and DAB

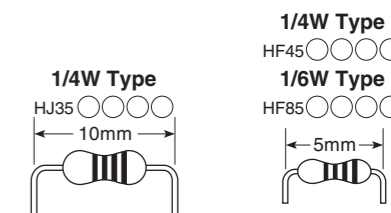
Carbon Resistors

Ref No.	Part No.	Description	Remarks	Markets	部 品 名	ランク
△	R2177-2181	V8070300 R. MTL. FLM	10Ω 1W		金属被膜抵抗	01
△	R2198-2199	V8070200 R. MTL. FLM	4.7Ω 1W		金属被膜抵抗	
	R2200	V8070000 R. MTL. FLM	1Ω 1W		金属被膜抵抗	01
△	R2205	V8071600 R. MTL. FLM	1KΩ 1W		金属被膜抵抗	01
	R2221	V8072100 R. MTL. OXD	5.6KΩ 1W		酸化金属被膜抵抗	
	R2222	WW971100 R. MTL. OXD	560Ω 1/4W		酸化金属被膜抵抗	
	R2227	V8072000 R. MTL. OXD	4.7KΩ 1W		酸化金属被膜抵抗	
	R2228	WW966900 R. MTL. OXD	10Ω 1/4W		酸化金属被膜抵抗	
△	R2231	WW965300 R. MTL. OXD	2.2Ω 1/4W		酸化金属被膜抵抗	
	R2232-2233	V8070200 R. MTL. FLM	4.7Ω 1W		金属被膜抵抗	
	R2234	WW972900 R. MTL. OXD	3.3KΩ 1/4W		酸化金属被膜抵抗	
	R2235	WW966900 R. MTL. OXD	10Ω 1/4W		酸化金属被膜抵抗	
	R2240	WW966900 R. MTL. OXD	10Ω 1/4W		酸化金属被膜抵抗	
	R2242	WW964500 R. MTL. OXD	1Ω 1/4W		酸化金属被膜抵抗	
	R2300-2301	WA621400 R. MTL. OXD	82Ω 1W J		酸化金属被膜抵抗	01
	R2310	WW965300 R. MTL. OXD	2.2Ω 1/4W		酸化金属被膜抵抗	
	R2312	WW970100 R. MTL. OXD	220Ω 1/4W		酸化金属被膜抵抗	
	R2317	WW965300 R. MTL. OXD	2.2Ω 1/4W		酸化金属被膜抵抗	
	R2332-2333	V8070100 R. MTL. FLM	2.2Ω 1W		金属被膜抵抗	01
	R2701	V8070500 R. MTL. FLM	22Ω 1W		金属被膜抵抗	01
	RY201	WJ122400 RELAY	981-2A-24DS-SP7		リレー	04
	RY203-205	WJ122400 RELAY	981-2A-24DS-SP7		リレー	04
	RY206	WE648700 RELAY	DC DH24D2-0-Q		リレー	06
	ST201	V4040500 SCR. TERM	M3		スクリューターミナル	01
	SW351	WV382900 SW. SLIDE	SL14	RS	スライドスイッチ	
	TE202	WW728900 TERM. SP	4P	JUCTARS	スピーカー端子	
	TE202	WW726500 TERM. SP	4P	KBGFLH	スピーカー端子	
	TE203	WW726600 TERM. SP	6P	JUCTARS	スピーカー端子	
	TE203	WW728800 TERM. SP	6P	KBGFLH	スピーカー端子	
	TH201	V9760200 THRMST. CHP	NCP18XH103J03RB		チップサーミスタ	01
	U2001-2002	WU204200 CN. PHOTO. R	1P JSR1165-D		光ファイバー受信器	
		WE774200 SCR. BND. HD	3x10 MFZN2W3		バインドBタイトネジ	01
	ZD574600	P. C. B.	DAB	RX-V500D	PCB DAB	
	CB501	VQ624500 CN	16P TE HIF3H	RX-V500D	コネクタ	
	CB502	VQ044400 CN. BS. PIN	9P	RX-V500D	コネクタ	
	C501	US064100 C. CE. CHP	0.01uF 50V B	RX-V500D	チップセラコン	
	C502	WP882000 C. CE. CHP	10uF 6.3V	RX-V500D	チップセラコン	
	C503	US135100 C. CE. CHP	0.1uF 16V	RX-V500D	チップセラコン	
	C504	WP882000 C. CE. CHP	10uF 6.3V	RX-V500D	チップセラコン	
	C505	US135100 C. CE. CHP	0.1uF 16V	RX-V500D	チップセラコン	
	C506-507	UM388330 C. EL	330uF 6.3V	RX-V500D	ケミコン	
	C508-509	US126100 C. CE. CHP	1uF 10V	RX-V500D	チップセラコン	
	D501	WW783900 DIODE	1SS355VM	RX-V500D	ダイオード	
	IC501	YD286A00 IC	RP102N121D-TR-F	RX-V500D	電源IC	

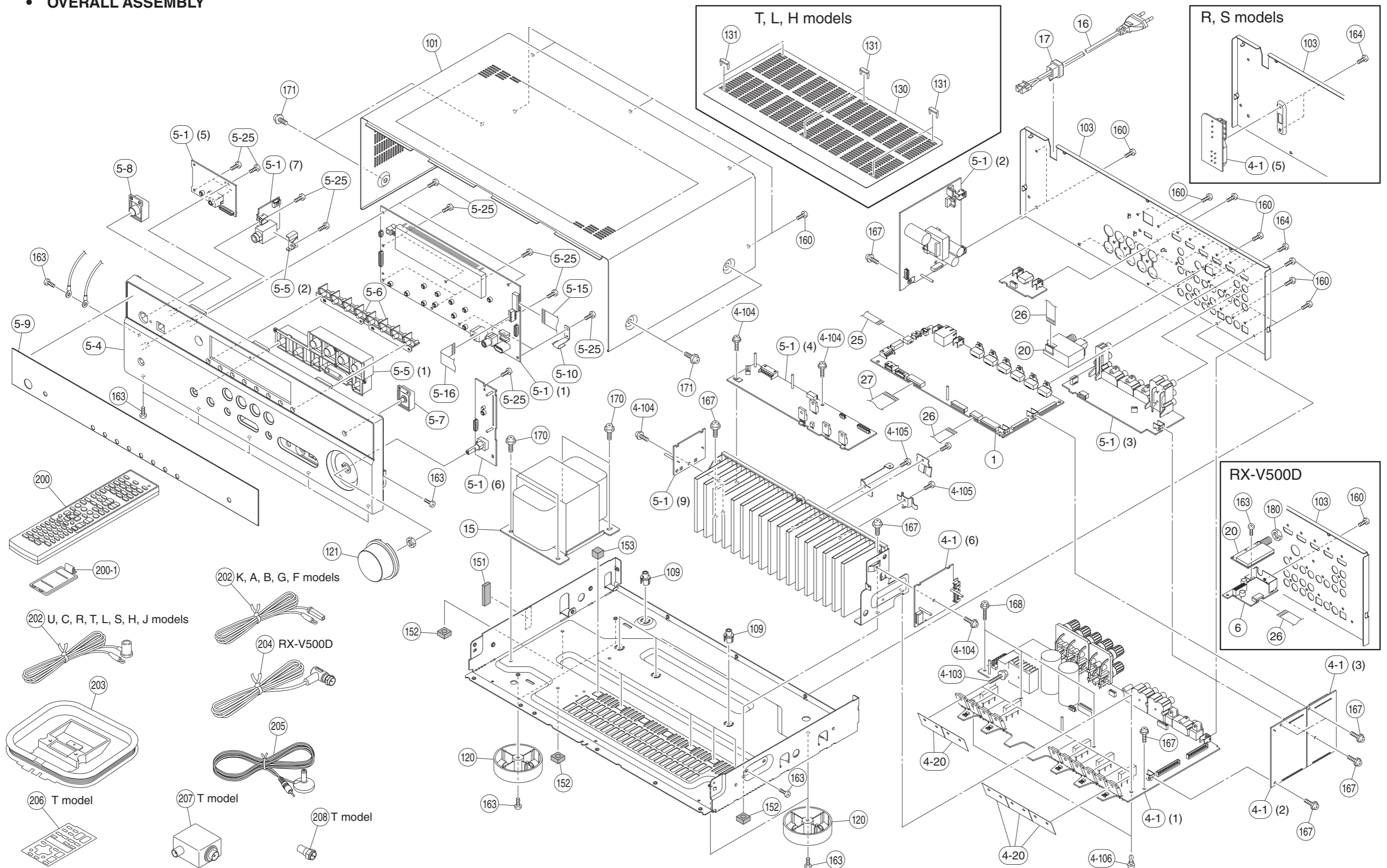
* New Parts / 新規部品

Value	1/4W Type Part No.	1/6W Type Part No.	Value	1/4W Type Part No.	1/6W Type Part No.
1.0 Ω	HJ35 3100	HF85 3100	11 kΩ	HF45 7110	HF45 7110
1.8 Ω	HJ35 3180	*	12 kΩ	HJ35 7120	HF85 7120
2.2 Ω	HJ35 3220	HF85 3220	13 kΩ	HF45 7130	HF45 7130
3.3 Ω	HJ35 3330	HF85 3330	15 kΩ	HF45 7150	HF45 7150
4.7 Ω	HJ35 3470	HF85 3470	18 kΩ	HF45 7180	HF45 7180
5.6 Ω	HJ35 3560	HF85 3560	22 kΩ	HF45 7220	HF45 7220
10 Ω	HF45 4100	HF45 4100	24 kΩ	HF45 7240	HF45 7240
15 Ω	HJ35 4150	HF85 4150	27 kΩ	HJ35 7270	HF85 7270
22 Ω	HF45 4220	HF45 4220	30 kΩ	HF45 7300	HF45 7300
27 Ω	HJ35 4270	HF85 4270	33 kΩ	HF45 7330	HF45 7330
33 Ω	HF45 4330	HF45 4330	36 kΩ	HF45 7360	HF45 7360
39 Ω	HJ35 4470	HF85 4390	39 kΩ	HF45 7390	HF45 7390
47 Ω	HF45 4470	HF45 4470	47 kΩ	HF45 7470	HF45 7470
56 Ω	HF45 4560	HF45 4560	51 kΩ	HF45 7510	HF45 7510
68 Ω	HF45 4680	HF45 4680	56 kΩ	HF45 7560	HF45 7560
75 Ω	HF45 4750	HF45 4750	62 kΩ	HF45 7620	HF45 7620
82 Ω	HF45 4820	HF45 4820	68 kΩ	HF45 7680	HF45 7680
91 Ω	HF45 4910	HF45 4910	82 kΩ	HF45 7820	HF45 7820
100 Ω	HF45 5100	HF45 5100	91 kΩ	HF45 7910	HF45 7910
110 Ω	HJ35 5110	HF85 5110	100 kΩ	HF45 8100	HF45 8100
120 Ω	HF45 5120	HF45 5120	110 kΩ	HF45 8110	HF45 8110
150 Ω	HF45 5150	HF45 5150	120 kΩ	HF45 8120	HF45 8120
160 Ω	HJ35 5160	*	130 kΩ	HF45 8130	*
180 Ω	HF45 5180	HF45 5180	150 kΩ	HF45 8150	HF45 8150
200 Ω	HF45 5200	HF45 5200	180 kΩ	HF45 8180	HF45 8180
220 Ω	HF45 5220	HF45 5220	220 kΩ	HJ35 8220	HF85 8220
270 Ω	HF45 5270	HF45 5270	270 kΩ	HF45 8270	HF45 8270
330 Ω	HF45 5330	HF45 5330	300 kΩ	HF45 8300	HF45 8300
390 Ω	HF45 5390	HF45 5390	330 kΩ	HF45 8330	HF45 8330
430 Ω	HF45 5430	HF45 5430	390 kΩ	HJ35 8390	HF85 8390
470 Ω	HF45 5470	HF45 5470	470 kΩ	HF45 8470	HF45 8470
510 Ω	HF45 5510	HF45 5510	560 kΩ	HJ35 8560	HF85 8560
560 Ω	HF45 5560	HF45 5560	680 kΩ	HJ35 8680	HF85 8680
680 Ω	HF45 5680	HF45 5680	820 kΩ	HJ35 8820	HF85 8820
820 Ω	HF45 5820	HF45 5820	1.0 MΩ	HF45 9100	HF45 9100
910 Ω	HF45 5910	HF45 5910	1.2 MΩ	HJ35 9120	*
1.0 kΩ	HF45 6100	HF45 6100	1.5 MΩ	HJ35 9150	HF85 9150
1.2 kΩ	HF45 6120	HF45 6120	1.8 MΩ	HJ35 9180	HF85 9180
1.5 kΩ	HF45 6150	HF45 6150	2.2 MΩ	HJ35 9220	HF85 9220
1.8 kΩ	HF45 6180	HF45 6180	3.3 MΩ	HJ35 9330	HF85 9330
2.0 kΩ	HJ35 6200	HF85 6200	3.9 MΩ	HJ35 9390	*
2.2 kΩ	HF45 6220	HF45 6220	4.7 MΩ	HJ35 9470	HF85 9470
2.4 kΩ	HJ35 6240	HF85 6240			
2.7 kΩ	HF45 6270	HF45 6270			
3.0 kΩ	HF45 6300	HF45 6300			
3.3 kΩ	HF45 6330	HF45 6330			
3.6 kΩ	HJ35 6360	HF85 6360			
3.9 kΩ	HF45 6390	HF45 6390			
4.7 kΩ	HF45 6470	HF45 6470			
5.1 kΩ	HF45 6510	HF45 6510			
5.6 kΩ	HF45 6560	HF45 6560			
6.8 kΩ	HF45 6680	HF45 6680			
8.2 kΩ	HF45 6820	HF45 6820			
9.1 kΩ	HF45 6910	HF45 6910			
10 kΩ	HF45 7100	HF45 7100			

* : Not available



• OVERALL ASSEMBLY

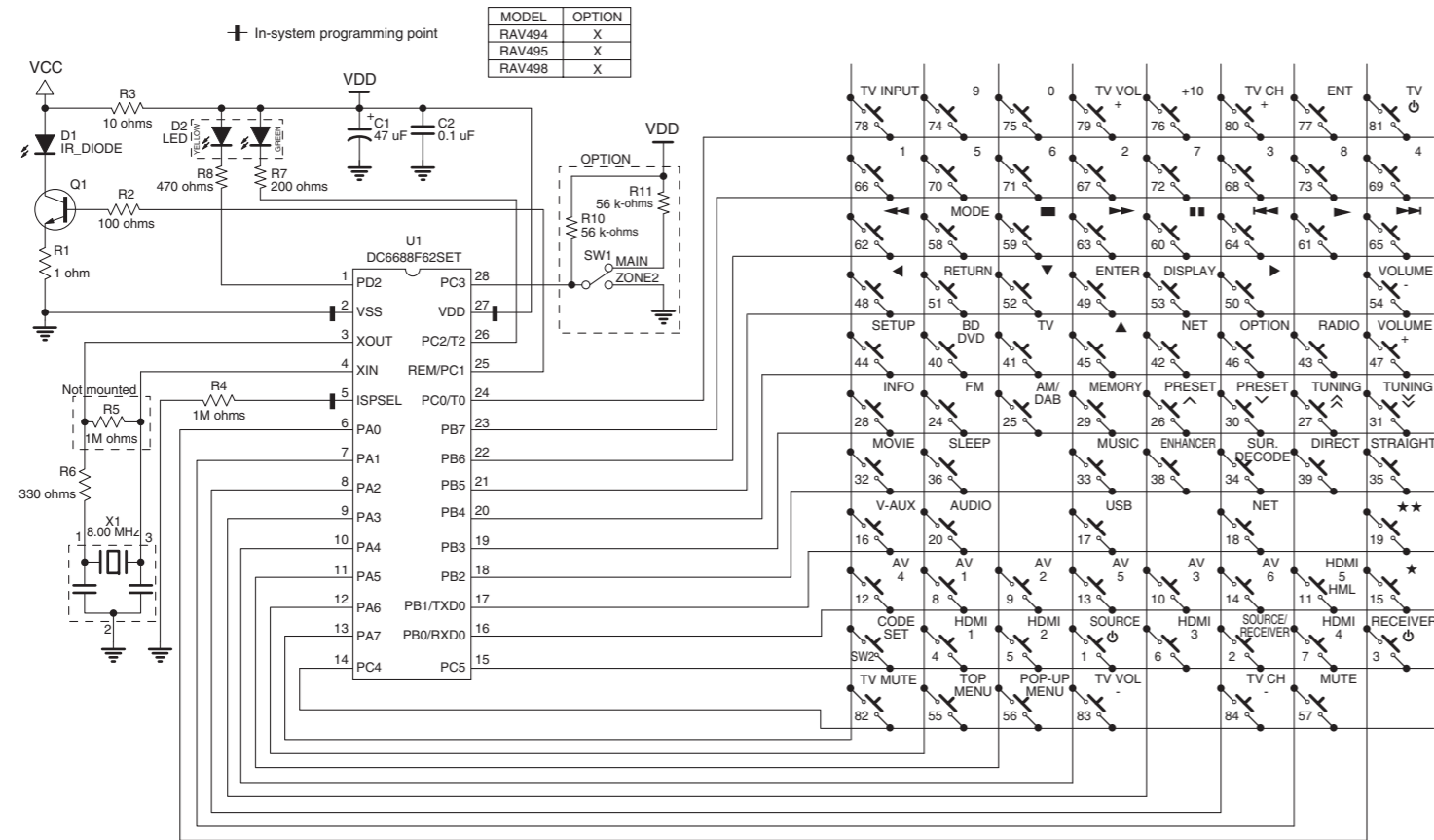


REMOTE CONTROL

- RAV494: RX-V475 / HTR-4066
- RAV495: RX-V500D

SCHEMATIC DIAGRAMS

RAV494, RAV495



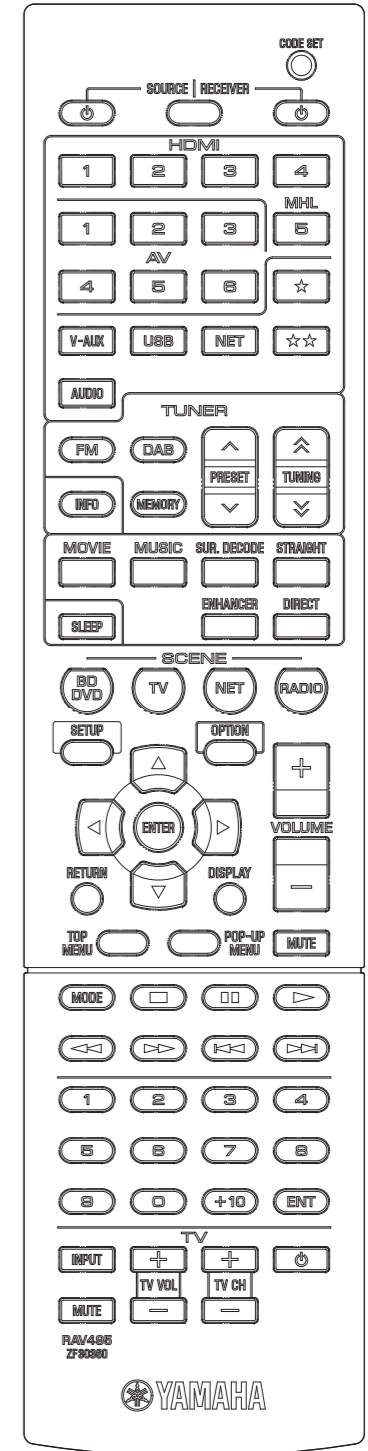
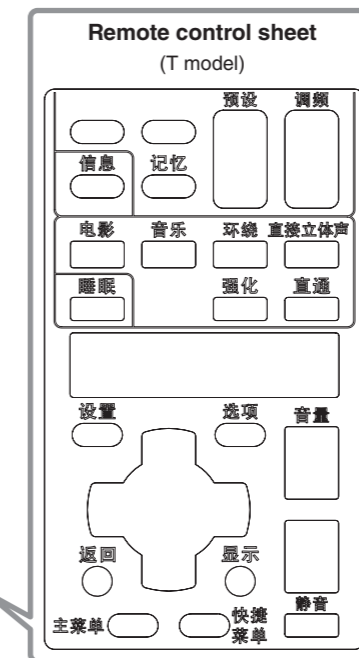
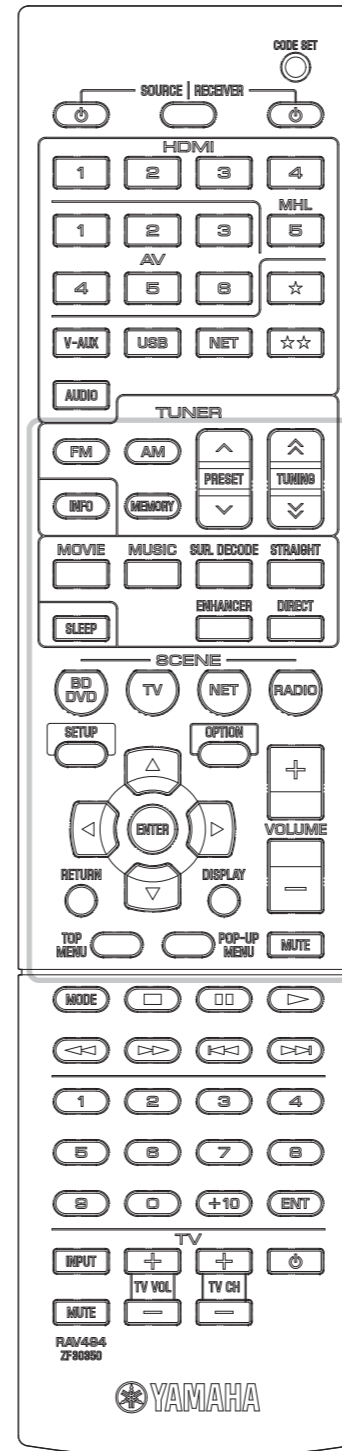
PANELS

RAV494

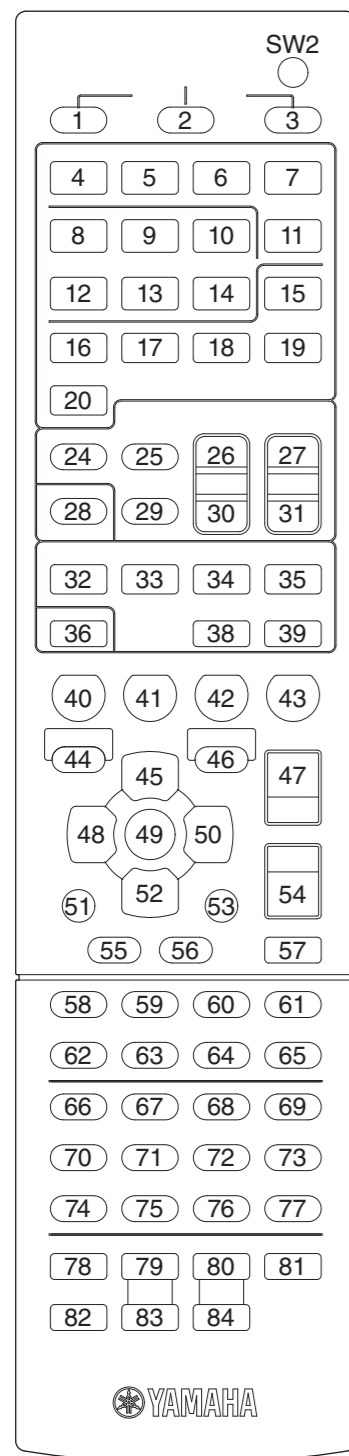
RX-V475 / HTR-4066

RAV495

RX-V500D



KEY NO. LAYOUT

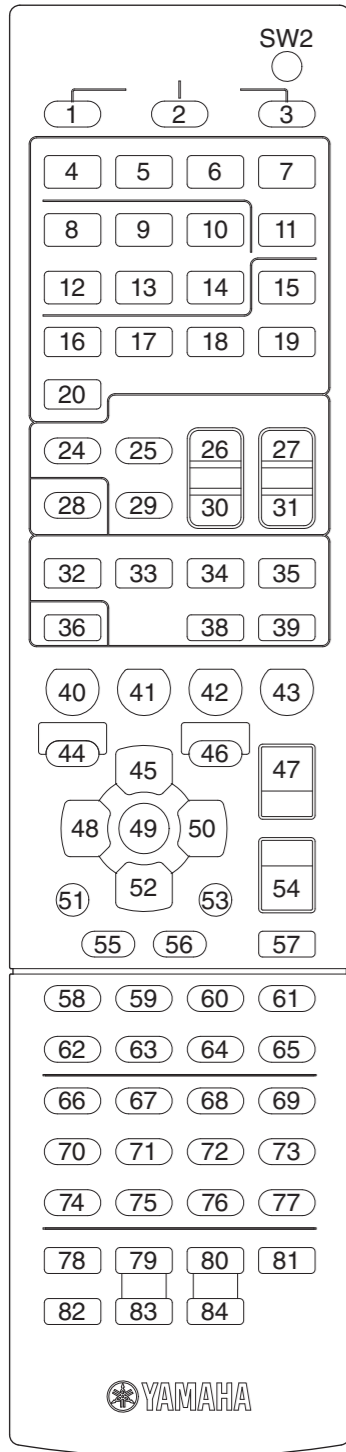


KEY CODE
RECEIVER MODE

Key No.	FUNCTION	ID-1 (5019)		ID-2 (5020)			
		RAV494 / RAV495	Remote control sheet (T model)	MAIN	ZONE2	MAIN	ZONE2
LED1	(TRANSMIT)			-	-	-	-
SW2	CODE SET			[CODE SET]	[CODE SET]	[CODE SET]	[CODE SET]
K2	SOURCE / RECEIVER			* select RCU mode "SOURCE" or "RECEIVER"			
"RECEIVER" (mode fixed)	K3 RECEIVER			7E-2A	7A-453A	7E-2AD4	7A-453B
	K4 HDMI-1			7A-4738	7A-4837	7A-4739	7A-4836
	K5 HDMI-2			7A-4A35	7A-4B34	7A-4A34	7A-4B35
	K6 HDMI-3			7A-4D32	7A-4E31	7A-4D33	7A-4E30
	K7 HDMI-4			7A-502F	7A-512E	7A-502E	7A-512F
	K8 AV-1			7A-532C	7A-542B	7A-532D	7A-542A
	K9 AV-2			7A-5629	7A-5728	7A-5628	7A-5729
	K10 AV-3			7A-5926	7A-5A25	7A-5927	7A-5A24
	K11 HDMI-5 MHL			7A-700F	7A-710E	7A-700E	7A-710F
	K12 AV-4			7A-5C23	7A-5D22	7A-5C22	7A-5D23
	K13 AV-5			7A-5F20	7A-601F	7A-5F21	7A-601E
	K14 AV-6			7A-621D	7A-631C	7A-621C	7A-631D
	K15 ★			7A-6817	7A-6916	7A-6816	7A-6917
	K16 V-AUX			7A-55	7A-D8	7A-55AB	7A-D826
	K17 USB			7F01-720D	7F01-730C	7F01-720C	7F01-730D
	K18 NET			7F01-3F	7F01-40	7F01-3FC1	7F01-40BE
	K19 ★★			-	-	-	-
	K20 AUDIO			7A-651A	7A-6619	7A-651B	7A-6618
	K24 FM			7F01-5827	7F01-5926	7F01-5826	7F01-5927
	K25 AM (RAV494) / DAB (RAV495)			7F01-552A	7F01-5629	7F01-552B	7F01-5628
	K26 PRESET	预设		7F01-5B24	7F01-5C23	7F01-5B25	7F01-5C22
	K27 TUNING	调频		7F01-611E	7F01-621D	7F01-611F	7F01-621C
	K28 INFO	信息		7A-2758	7A-2857	7A-2759	7A-2856
	K29 MEMORY	记忆		7F01-6718	7F01-6817	7F01-6719	7F01-6816
	K30 PRESET	预设		7F01-5E21	7F01-5F20	7F01-5E20	7F01-5F21
	K31 TUNING	调频		7F01-641B	7F01-651A	7F01-641A	7F01-651B
	K32 MOVIE	电影		7A-88	-	7A-8876	-
	K33 MUSIC	音乐		7A-89	-	7A-8977	-
	K34 SUR. DECODE	环绕		7A-8D	-	7A-8D73	-
	K35 STRAIGHT	直接立体声		7A-56	-	7A-56A8	-
	K36 SLEEP	睡眠		7A-30	7A-31	7A-30CE	7A-31CF
	K38 ENHANCER	强化		7A-94	-	7A-946A	-
	K39 DIRECT	直通		7A-DD	-	7A-DD23	-
	K40 BD/DVD (SCENE)			7A-007F	7A-017E	7A-007E	7A-017F

Key No.	FUNCTION	ID-1 (5019)		ID-2 (5020)			
		RAV494 / RAV495	Remote control sheet (T model)	MAIN	ZONE2	MAIN	ZONE2
"RECEIVER" (mode fixed)	K41 TV (SCENE)			7A-037C	7A-047B	7A-037D	7A-047A
	K42 NET (SCENE)			7A-0679	7A-0778	7A-0678	7A-0779
	K43 RADIO (SCENE)			7A-0976	7A-0A75	7A-0977	7A-0A74
	K44 SETUP		设置	7A-84	-	7A-847A	-
	K46 OPTION		选项	7A-6B14	-	7A-6B15	-
	K47 VOLUME (+)		音量	7A-1A	7A-DA	7A-1AE4	7A-DA24
	K54 VOLUME (-)			7A-1B	7A-DB	7A-1BE5	7A-DB25
	K57 MUTE		静音	7A-1C	7A-DC	7A-1CE2	7A-DC22
K48 (LEFT) + K40 [SCENE -BD/DVD]				ID-1			
K48 (LEFT) + K41 [SCENE -TV]						ID-2	
K50 (RIGHT) + K40 [SCENE -BD/DVD]				MAIN		MAIN	
K50 (RIGHT) + K41 [SCENE -TV]					ZONE2		ZONE2

SOURCE MODE



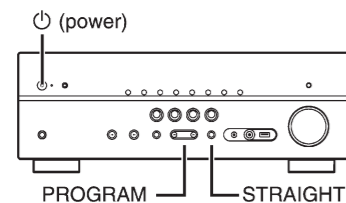
Key No.	FUNCTION	Rremote control sheet (T model)	IR code in "RECEIVER" mode				IR code in "SOURCE" mode																																
			ID-1		ID-2		ID-1 / ID-2	K25	K24	K20	K19	K18	K17	K16	K15	K14	K13	K12	K11	K10	K9	K8	K7	K6	K5	K4													
			MAIN	ZONE2	MAIN	ZONE2	MAIN / ZONE2	[AM/DAB]	[FM]	[AUDIO]	[☆☆]	[NET]	[USB]	[V-AUX]	[☆]	[AV-6]	[AV-5]	[AV-4]	[HDMI-5]	[AV-3]	[AV-2]	[AV-1]	[HDMI-4]	[HDMI-3]	[HDMI-2]	[HDMI-1]													
"SOURCE/RCVR"	K1	SOURCE ϕ		7F01-50	7F01-70	7F01-50AE	7F01-708E	* SOURCE *																* RECEIVER *															
	K45	▲ (UP)		7A-9D	7A-2B54	7A-9D63	7A-2B55	* SOURCE *																															
	K48	◀ (LEFT)		7A-9F	7A-2D52	7A-9F61	7A-2D53	* SOURCE *																															
	K49	ENTER		7A-DE	7A-2F50	7A-DE20	7A-2F51	* SOURCE *																															
	K50	▶ (RIGHT)		7A-9E	7A-2E51	7A-9E60	7A-2E50	* SOURCE *																															
	K51	RETURN	返回	7A-AA	7A-3C43	7A-AA54	7A-3C42	* SOURCE *																															
	K52	▼ (DOWN)		7A-9C	7A-2C53	7A-9C62	7A-2C52	* SOURCE *																* RECEIVER *															
	K53	DISPLAY	显示	7F01-60	7F01-80	7F01-609E	7F01-807E	* SOURCE *																															
	K55	TOP MENU	主菜单	7A-A0DF	7A-A1DE	7A-A0DE	7A-A1DF	* SOURCE *																* transmit "RECEIVER" code then switch RCU to "SOURCE" mode															
	K56	POP-UP MENU	快捷菜单	7A-A4DB	7A-A5DA	7A-A4DA	7A-A5DB	* SOURCE *																* transmit "RECEIVER" code then switch RCU to "SOURCE" mode															
	K58	MODE		7F01-66	7F01-86	7F01-6698	7F01-8678	* empty *																															
	K59	■ (STOP)		7F01-69	7F01-89	7F01-6997	7F01-8977	* empty *																															
	K60	■ (PAUSE)		7F01-67	7F01-87	7F01-6799	7F01-8779	* empty *																															
	K61	▶ (PLAY)		7F01-68	7F01-88	7F01-6896	7F01-8876	* empty *																															
	K62	◀◀ (REW)		7F01-6A	7F01-8A	7F01-6A94	7F01-8A74	* SOURCE *																* RECEIVER *															
	K63	▶▶ (FF)		7F01-6B	7F01-8B	7F01-6B95	7F01-8B75	* SOURCE *																															
	K64	◀◀ (SKIP -)		7F01-6C	7F01-8C	7F01-6C92	7F01-8C72	* SOURCE *																															
	K65	▶▶ (SKIP +)		7F01-6D	7F01-8D	7F01-6D93	7F01-8D73	* SOURCE *																															
	K66	1		7F01-51	7F01-71	7F01-51AF	7F01-718F	* SOURCE *																															
	K67	2		7F01-52	7F01-72	7F01-52AC	7F01-728C	* SOURCE *																															
	K68	3		7F01-53	7F01-73	7F01-53AD	7F01-738D	* SOURCE *																															
	K69	4		7F01-54	7F01-74	7F01-54AA	7F01-748A	* SOURCE *																															
	K70	5		7F01-55	7F01-75	7F01-55AB	7F01-758B	* SOURCE *																															
	K71	6		7F01-56	7F01-76	7F01-56A8	7F01-7688	* SOURCE *																															
	K72	7		7F01-57	7F01-77	7F01-57A9	7F01-7789	* SOURCE *																															
	K73	8		7F01-58	7F01-78	7F01-58A6	7F01-7886	* SOURCE *																															
	K74	9		7F01-59	7F01-79	7F01-59A7	7F01-7987	* SOURCE *																															
	K75	0		7F01-5A	7F01-7A	7F01-5AA4	7F01-7A84	* SOURCE *																															
	K76	+10		7F01-5B	7F01-7B	7F01-5BA5	7F01-7B85	* SOURCE *																															
	K77	ENT		7F01-5C	7F01-7C	7F01-5CA2	7F01-7C82	* SOURCE *																															
"SOURCE" (mode fixed)	K78	TV -INPUT																						* TV -INPUT															
	K79	TV -VOL (+)																						* TV -VOL (+)															
	K80	TV -CH (+)																						* TV -CH (+)															
	K81	TV - ϕ						* SOURCE (TV) *																* TV - ϕ															
	K82	TV -MUTE																						* TV -MUTE															
	K83	TV -VOL (-)																						* TV -VOL (-)															
	K84	TV -CH (-)																						* TV -CH (-)															

■ CONFIGURING THE SYSTEM SETTINGS

Configure the system settings of the unit while viewing the front display.

1 Set the unit to standby mode.

2 While holding down STRAIGHT on the front panel, press (power).



3 Press PROGRAM to select an item.

4 Press STRAIGHT to select a setting.

5 Press (power) to set the unit to standby mode and turn it on again. The new settings take effect.

ADVANCED SETUP menu items

Item	Function
SP IMP.	(RX-V475: U, C models / HTR-4066: U model) Changes the speaker impedance setting.
REMOTE ID	Selects the unit's remote control ID.
TU	(R, T, K, L, S, H models) Changes the FM/AM tuning frequency setting.
TV FORMAT	Switches the video signal type of HDMI output.
INIT	Restores the default settings.
UPDATE	Updates the firmware.
VERSION	Checks the version of firmware currently installed on the unit.

Changing the speaker impedance setting (SP IMP.)

(U, C models)

SP IMP. •• 8ΩMIN

Change the unit's speaker impedance settings depending on the impedance of the speakers connected.

Settings

6 Ω MIN	Select this option when you connect 6-ohm speakers to the unit. You can also use 4-ohm speakers as the front speakers.
8 Ω MIN (default)	Select this option when you connect 8-ohm or higher speakers to the unit.

Selecting the remote control ID (REMOTE ID)



REMOTE ID •• ID1

Change the unit's remote control ID so that it matches the remote control's ID (default: ID1). When using multiple Yamaha AV receivers, you can set each remote control with a unique remote control ID for its corresponding receiver.

Settings

ID1 (default), ID2

■ Changing the remote control ID of the remote control

- To select ID1, while holding down the cursor key () hold down SCENE (BD/DVD) for more than 3 seconds.
To select ID2, while holding down the cursor key () hold down SCENE (TV) for more than 3 seconds.



- The registered remote control codes are not cleared even if you change the remote control ID.

Changing the FM/AM tuning frequency setting (TU)

(R, T, K, L, S, H models)

TU •••• FM50/AM9

Change the FM/AM tuning frequency setting of the unit depending on your country or region.

Settings

FM100/AM10	Select this when you want to adjust the FM frequency by 100-kHz steps and AM by 10-kHz steps.
FM50/AM9 (default)	Select this when you want to adjust the FM frequency by 50-kHz steps and AM by 9-kHz steps.

Switching the video signal type (TV FORMAT)

TV FORMAT • NTSC

Switch the video signal type of HDMI output so that it matches to the format of your TV. Since the unit automatically selects the video signal type so that it matches to the TV, it is unnecessary to change the setting normally. Change the setting only when images on the TV screen do not appear correctly.

Settings

NTSC, PAL

Default

U, C, R, K, S models: NTSC
T, A, B, G, F, L, H models: PAL

Restoring the default settings (INIT)

INIT •••• CANCEL

Restores the default settings for the unit.

Choices

ALL	Restores the default settings for the unit.
CANCEL	Does not perform an initialization.

Updating the firmware (UPDATE)

UPDATE •••• USB

New firmware that provides additional features or product improvements will be released as needed. Updates can be downloaded from our website. If the unit is connected to the Internet, you can download the firmware via the network. For details, refer to the information supplied with updates.

■ Firmware update procedure


Do not perform this procedure unless firmware update is necessary. Also, make sure you read the information supplied with updates before updating the firmware.

- Press STRAIGHT repeatedly to select "USB" or "NETWORK" and press INFO to start firmware update.

Choices

USB	Update the firmware using a USB memory device.
NETWORK	Update the firmware via the network.



- If the unit detects newer firmware over the network, the envelope icon () will appear in the "Network Update" screen. In this case, you can also update the unit's firmware by following the procedure in "Updating the unit's firmware".

Checking the firmware version (VERSION)

VERSION •• xx.xx

Check the version of firmware currently installed on the unit.

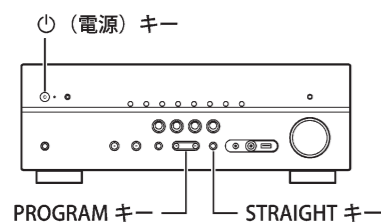


- You can also check the firmware version in "Network Update" in the "Setup" menu.
- It may take a while until the firmware version is displayed.

■ システム設定を変更する

前面ディスプレイを見ながら、本機のシステム設定を変更します。

- 1 本機の電源が入っている場合は、電源をスタンバイにする。
- 2 前面の STRAIGHT キーを押しながら ⏻（電源）キーを押す。



- 3 PROGRAM キーで設定項目を選ぶ。
- 4 STRAIGHT キーで設定値を選ぶ。
- 5 ⏻（電源）キーで、電源をスタンバイにしてから再度電源を入れる。
設定変更が反映されます。

アドバンスドセットアップメニューでできること

項目	説明
REMOTE ID	本体側のリモコン ID を変更します。
TV FORMAT	ビデオ信号方式を切り替えます。
INIT	各種設定を初期化します。
UPDATE	ファームウェアを更新します。
VERSION	本機にインストールされているファームウェアのバージョンを表示します。

リモコン ID の変更 (REMOTE ID)

REMOTE ID・・ID1

リモコン側のリモコン ID（初期値：ID1）と一致するよう、本体側のリモコン ID を変更します。

複数のヤマハ製 AV レシーバーをお使いの場合、それぞれのリモコンで各レシーバーを操作するために、リモコン ID が重ならないように設定します。

設定値
ID1（初期値）、ID2

■ リモコン側のリモコン ID 設定

- 1 ID1 に設定するには、カーソルキー（◀）を押しながら SCENE（BD/DVD）キーを 3 秒間押し続ける。
ID2 に設定するには、カーソルキー（◀）を押しながら SCENE（TV）キーを 3 秒間押し続ける。

ビデオ信号方式の変更 (TV FORMAT)

TV FORMAT・NTSC

お使いのテレビにあわせて、本機の HDMI OUT 端子から出力されるビデオ信号方式を切り替えます。

通常は変更する必要はありません。本機により、テレビにあったビデオ信号方式が自動的に選択されます。テレビの映像が乱れる場合のみ変更してください。

設定値
NTSC（初期値）、PAL

設定の初期化 (INIT)

INIT・・・CANCEL

本機の各種設定を初期化します。

選択項目

ALL	すべての設定を初期化する。
CANCEL	初期化しない。

ファームウェアの更新 (UPDATE)

UPDATE・・・・USB

機能の追加や不具合の改善に応じて、ファームウェアが更新されることがあります。ファームウェアは弊社ウェブサイトからダウンロードできます。詳しくは、ファームウェア更新時に提供される情報をご確認ください。

■ ファームウェアの更新手順

ファームウェア更新時以外は実行しないでください。また実行前に、更新時に提供される情報を必ずご確認ください。

- 1 アドバンスドセットアップメニューを表示させ、前面の PROGRAM キーで「UPDATE」を選ぶ。
- 2 STRAIGHT キーを繰り返し押しして「USB」または「NETWORK」を選び、INFO キーを押して更新を実行する。

選択項目

USB	USB メモリーを使ってファームウェアを更新します。
NETWORK	ネットワーク経由でファームウェアを更新します。



・ネットワーク上に新しいファームウェアがある場合は、ネットワークアップデート画面に封筒（✉）アイコンが表示されます。この状態からファームウェアを更新することも可能です。

- 3 前面ディスプレイに「UPDATE SUCCESS PLEASE POWER OFF!」と表示されたら、前面の ⏻（電源）キーを押す。

ファームウェアバージョンの確認 (VERSION)

VERSION・・XX.XX

本機にインストールされているファームウェアのバージョンを表示します。



・設定メニューの「ネットワークアップデート」画面でファームウェアのバージョンを確認することもできます。

FIRMWARE UPDATING PROCEDURE

! IMPORTANT NOTICE

Do not attempt to update your Yamaha receiver using any other data file except those provided directly from the Yamaha website or through your network connection.

Follow the instructions carefully and do not attempt any other procedures not specified in the instructions provided by Yamaha.

Improperly updated products may cause improper operation, and any parts or service required to restore proper operation will not be covered under the Yamaha Limited Warranty.

Choose from the following 2 methods to update to the latest firmware.

Click here for [Firmware Update Through the Internet](#)

(Connection to the Internet is required)

Click here for [Firmware Update by USB](#)

(A USB thumb drive is required)

In case of error, see the [Troubleshooting](#) section

Firmware Update Through the Internet

Requirement: Internet connection

Your receiver is connected to the Internet if you can receive Internet radio stations.

(See owner's manual for details)

1 Power off the receiver (Standby mode)

2 Enter the ADVANCED SETUP mode

While pressing the **STRAIGHT** key, press the **⏻ (Power)** key and keep **STRAIGHT** key pressed until "ADVANCED SETUP" appears on the front panel display.

* "ADVANCED SETUP" is displayed only for a few seconds.



3 Select "FIRM UPDATE" from the menu

a. Press the **PROGRAM** key until "UPDATE: USB" is displayed.

b. Then, press **STRAIGHT** key until "NETWORK" is displayed.





4 Start firmware update

a. Press **INFO** key to start the update.

(Update process may take up to 15 minutes)

* If "UPDATE SUCCESS" appears, this means your receiver is already up-to-date. In this case, power off to exit from Advanced Setup. Your AV receiver is ready for normal use.

Firmware update in progress







! Caution

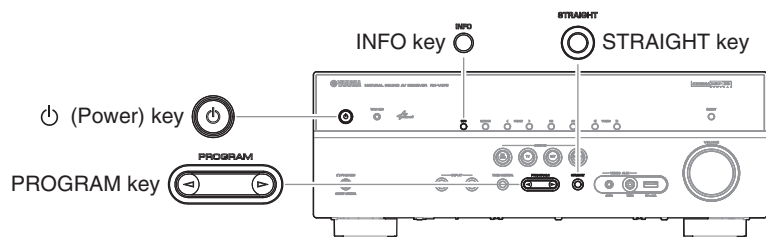
DO NOT interrupt power during the update.

In case the power is accidentally cut off resulting in a condition where you can't recover normal operation, refer to the troubleshooting method (**Troubleshooting CASE 2**) on the last page.

b. When completed, "UPDATE SUCCESS" appears on the display.

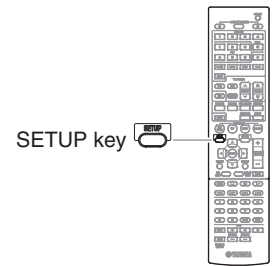


c. Turn off the power of the receiver by pressing the **⏻ (Power)** key.



5 Check the updated firmware version

- Power on the AV receiver and press the **SETUP** key on the remote control.
- Select "Network" > "Network Update".
- Confirm that the firmware version is updated to the latest version.



Congratulations!

You have completed the firmware update. Your AV receiver is ready for normal use.

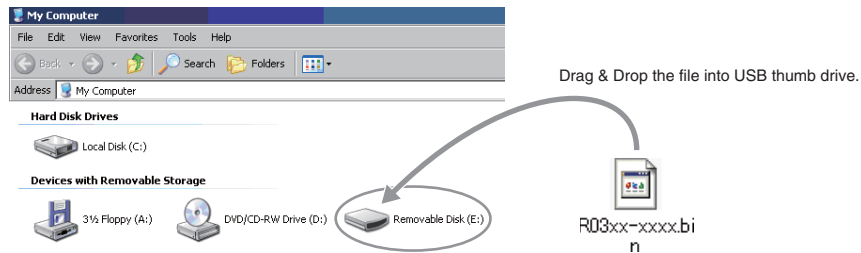
Firmware Update by USB

Requirement: USB thumb drive, with enough free space to store over 25MB.
(File system with FAT16 or FAT32 format)

Firmware file provided by YAMAHA, "R03xx-xxxx.bin".

1 Prepare USB thumb drive for the update

Download the firmware, unzip and copy "R03xx-xxxx.bin" into the root directory of the USB thumb drive.



2 Power off the receiver (Standby mode)

3 Insert the USB thumb drive

USB port is located at the lower left corner of the front panel.

4 Enter the ADVANCED SETUP mode

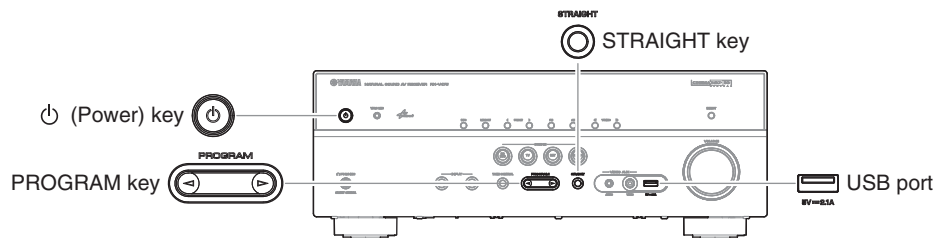
While pressing the **STRAIGHT** key, press the **(Power)** key and keep **STRAIGHT** key pressed until "ADVANCED SETUP" appears on the front panel display.

ADVANCED SETUP

5 Select firmware update from the menu

Press the **PROGRAM** key until "UPDATE: USB" is displayed.

UPDATE: USB



6 Start firmware update

- a. Press **INFO** key to start the update.
(Update process may take up to 10 minutes)

* If "UPDATE SUCCESS" appears, this means your receiver is already up-to-date. In this case, power off to exit from Advanced Setup. Your AV receiver is ready for normal use.



! Caution

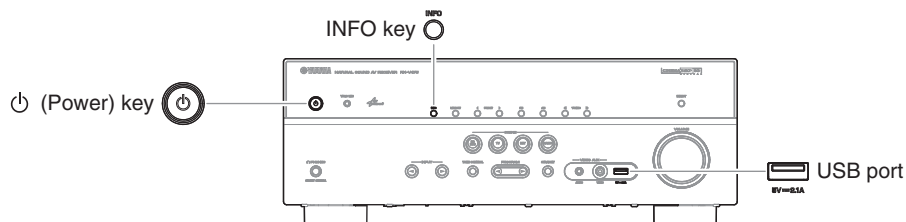
DO NOT interrupt power during the update.

In case the power is accidentally cut off resulting in a condition where you can't recover normal operation, refer to the troubleshooting method (**Troubleshooting CASE 2**) on the last page.

- b. When completed, "UPDATE SUCCESS" appears on the display.

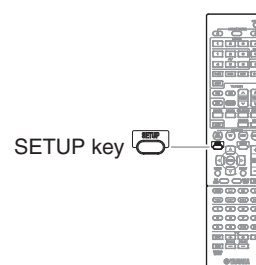


- c. Turn off the power of the receiver by pressing the **(Power)** key.



7 Check the updated firmware version

- a. Power on the AV receiver and press the **SETUP** key on the remote control.
b. Select "Network" > "Network Update".
c. Confirm that the firmware version is updated to the latest version.



Congratulations!

You have completed the firmware update. Your AV receiver is ready for normal use.

Troubleshooting

CASE 1 Error message appeared during the update

Cause: For some reason, the receiver can't read the firmware data.

Method: For your solution, check the following

[Update through Internet]

- Check Internet connection.
Your Internet connection is working by playing an Internet radio station.
(See owner's manual for details)

[Update by USB thumb drive]

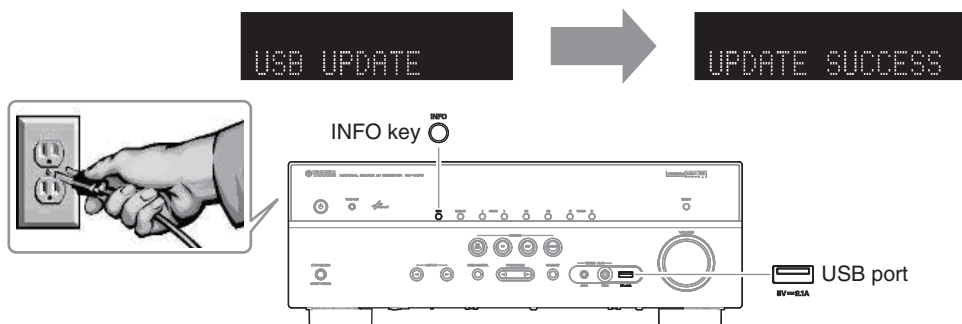
- USB thumb drive is connected properly to the receiver.
- USB thumb drive is not password protected.
(AV receiver cannot read data from a security protected USB thumb drive)
- Make sure the USB thumb drive is inserted before the receiver is powered on for the update.
- The firmware data, R03xx-xxxx.bin is stored in the root directory of the USB thumb drive.
- There is no other data except the firmware data in the USB thumb drive.
- No folders are created in the USB thumb drive.
Else, retry the update by USB using another USB thumb drive.

CASE 2 Firmware update doesn't start for other reasons

- Receiver doesn't power up after the update.
- Or, error message appeared when confirming the firmware version.

Recovery method using USB method:

1. Unplug the AC power cable from wall outlet.
2. Insert the USB thumb drive which has the firmware data stored inside, into the USB port located on the front panel.
3. Press and hold the **INFO** key and keep it pressed while you plug the AC power cable back into the wall outlet again.
"USB UPDATE" will appear on the front display. Then, release the **INFO** key.
4. The update will start automatically.
5. When "UPDATE SUCCESS" appears on the display, firmware update is completed.
Power off the receiver and remove the USB thumb drive.
6. Confirm updated firmware version.



ファームウェア更新手順

! 重要

当社がネットワーク経由またはホームページ上などでご提供する正式なアップデートデータ以外の使用や、当社からお知らせする方法以外でのアップデートは行わないでください。不正な状態で本体機能の更新を行った場合、動作保証を行わないだけでなく、アフターサービスおよび保証の対象外となります。

次のいずれかの方法で AV アンプのファームウェアを更新してください。

AV アンプがインターネットに **接続されている場合** [こちらをクリックしてください。](#)

(インターネットラジオが使用できる環境)

AV アンプがインターネットに **接続されていない場合** [こちらをクリックしてください。](#)

(USB メモリーをご用意ください)

更新中にエラーが発生したときの **対処方法** [こちらをクリックしてください。](#)

ネットワーク経由でファームウェアを更新する

必要環境： 本機がインターネットに接続されている必要があります。

本機の「インターネットラジオ」機能が使用できる環境であることをご確認ください。
(インターネット接続に関しては、取扱説明書を参照してください)

1 AV アンプの電源を切る (スタンバイモード)

2 ADVANCED SETUP モードで本機を立ち上げる

本機の **STRAIGHT** キーを押したまま **電源** キーを押します。

※ “ADVANCED SETUP” が本体に表示されるまで **STRAIGHT** キーを押し続けてください。
数秒後、表示が “REMOTE ID・ID1” に切り替わります。



3 FIRM UPDATE を選択する

- “UPDATE・……・USB” が表示されるまで **PROGRAM** キーを何度か押します。
- 次に **STRAIGHT** キーを押し、“NETWORK” を選択します。



4 ファームウェア更新を開始する

- 本機の **INFO** キーを押すと更新を開始します。
(完了まで 15 分ほどかかる場合があります)

※ “UPDATE SUCCESS” が表示された場合は、すでに本機のファームウェアが最新である可能性があります。
その場合 **ファームウェア更新は不要** です。



! ご注意

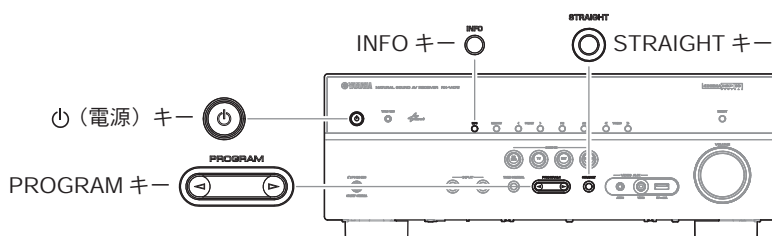
更新中は **電源を絶対に切らない** ください。

本機が立ち上がらなくなってしまった場合は、最終ページに記載されているリカバリー方法 (「エラーが発生した時の対処方法」) で復帰してください。

- “UPDATE SUCCESS” が本機に表示されましたら更新完了です。

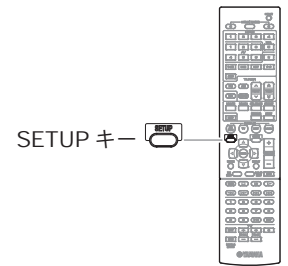
UPDATE SUCCESS

- 本機の **電源** キーを押し、電源を切ってください。



5 ファームウェア更新後のバージョンを確認します

- AV アンプの電源を入れ、リモコンの **SETUP** キーを押します。
- “Network” 中の “Network Update” を選択します。
- 現在のファームウェアバージョンが最新になっていることを確認します。



以上でファームウェア更新作業は終了です。

USB メモリーを使ってファームウェアを更新する

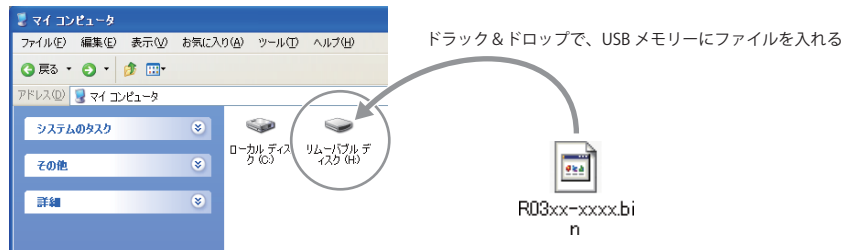
ご用意いただくもの： USB メモリー（25 MB 以上の容量が必要です）
FAT16 または FAT32 フォーマット
ヤマハホームページからダウンロードしたファームウェアデータ
“R03xx-xxxx.zip”

1 パソコン上で USB メモリー内のデータを消去し、空の状態にします

2 USB メモリーにファームウェアをコピーします

パソコン上でファームウェアデータ（R03xx-xxxx.zip）を展開し、ファームウェア “R03xx-xxxx.bin” を USB メモリーに入れてください。

（フォルダ等の階層は作成しないでください）



3 電源ケーブルがコンセントに正しく挿入されていて、電源が切れていること（スタンバイ状態）を確認します

4 USB メモリーを差込みます

フロントパネル内の USB 端子に、USB メモリーを挿入してください。

5 ADVANCED SETUP モードで本機を立ち上げます

本機の **STRAIGHT** キーを押したまま **電源** キーを押します。

※ “ADVANCED SETUP” が本体に表示されるまで **STRAIGHT** キー を押し続けてください。
数秒後、表示が “REMOTE ID: ID1” に切り替わります。

ADVANCED SETUP

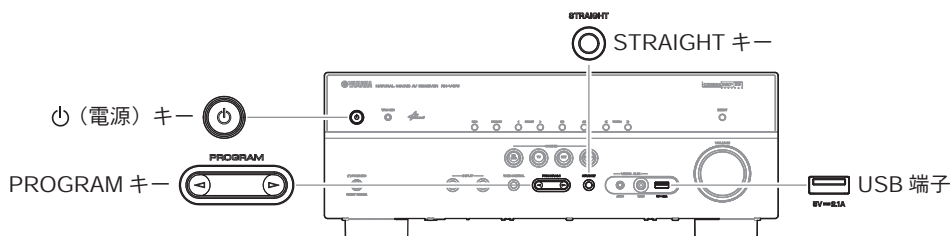


REMOTE ID: ID1

6 FIRM UPDATE USB を選択する

“UPDATE: USB” が表示されるまで **PROGRAM** キー を何度か押します。

UPDATE: USB



7 ファームウェア更新を開始する

- a. 本機の **INFO キー** を押すと更新を開始します。
(完了まで 10 分ほどかかる場合があります)

※ “UPDATE SUCCESS” が表示された場合は、すでに本機のファームウェアが最新である可能性があります。
その場合 **ファームウェア更新は不要** です。



! ご注意

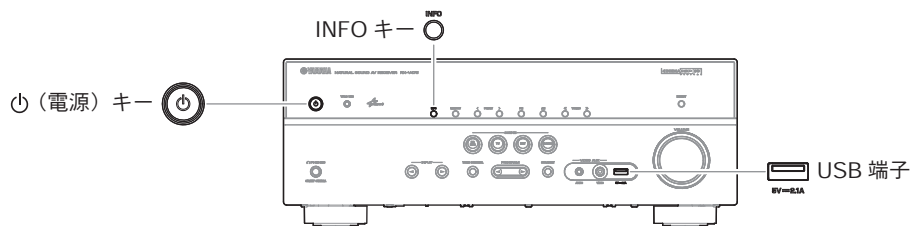
更新中は **電源を絶対に切らない** てください。

本機が立ち上がらなくなってしまった場合は、最終ページに記載されているリカバリー方法（「**エラーが発生した時の対処方法**」）で復帰してください。

- b. “UPDATE SUCCESS” が本機に表示されましたら更新完了です。

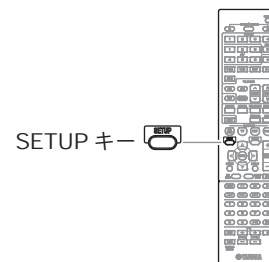
A black box with the text "UPDATE SUCCESS" in white, indicating the completion of the update process.

- c. 本機の **⏻ (電源) キー** を押し、電源を切ってください。
d. USB メモリーを本機から抜いてください。



8 ファームウェア更新後のバージョンを確認します

- a. AV アンプの電源を入れ、リモコンの **SETUP キー** を押します。
b. “Network” の中の “Network Update” を選択します。
c. 現在のファームウェアバージョンが最新になっていることを確認します。



以上でファームウェア更新作業は終了です。

エラーが発生した時の対処方法

ケース1 更新中にエラーメッセージが表示された

推定原因： 何らかの理由でファームウェアデータが読めない。

対処法： 以下の項目を確認してください。

[ネットワーク経由の更新の場合]

- インターネット接続設定を確認してください。
本機の「インターネットラジオ」機能が使用できる環境であることを確認してください。
(インターネット接続に関しては取扱説明書を参照してください。)

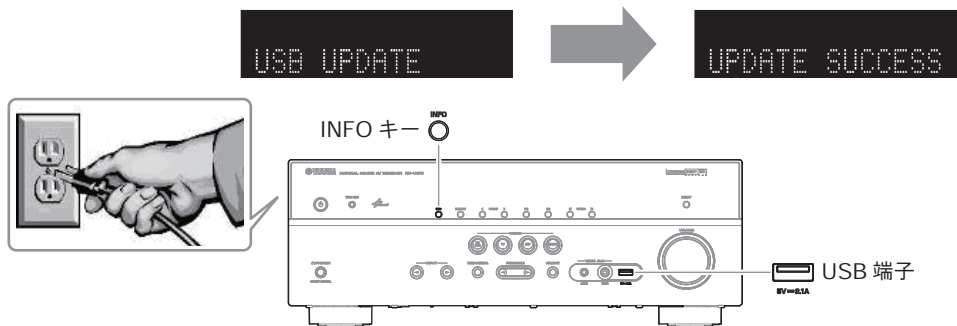
[USB メモリーを使う更新の場合]

- USB メモリーが本機に正しく差し込まれていることを確認してください。
- USB メモリーがパスワード等で保護されていないことを確認してください。
(セキュリティー保護された USB メモリーは読み込めません。)
- 更新用の USB メモリーは電源を入れる前に AV アンプに差し込んでください。
- ファームウェアデータ (R03xx-xxxx.bin) が何らかのフォルダの中に入っていないことを確認してください。
(ルートにファイルがあること)
- USB メモリー内にフォルダが作られていないことを確認してください。
それでも更新できない場合は、他の USB メモリーを使い再度更新をおこなってください。

ケース2 その他の理由で更新がうまくいかない

- 〇 (電源) キーを押しても本機が起動しなくなった。
- 更新後、ファームウェアバージョンを確認すると、本機でエラーメッセージが表示された。

- 復帰方法：**
1. 電源ケーブルをコンセントから抜きます。
 2. ファームウェアの入った USB メモリーを本機に差し込みます。
 3. 本機の **INFO キー** を押したまま電源ケーブルをコンセントに差し込みます。
"USB UPDATE" が本機に表示されたら **INFO キー** を離してください。
 4. 更新が自動的に始まります。
 5. 本機で "UPDATE SUCCESS" が表示されたら更新完了です。
電源を切り USB メモリーを抜いてください。
 6. 更新されたファームウェアバージョンを確認してください。



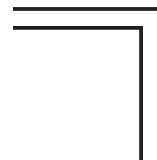
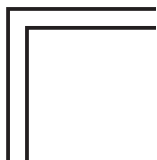
ケース3 リモコンが効かなくなりました

推定原因： Advanced Setup の設定を変えてしまった。

対処法： 以下の Advanced Setup 項目を確認してください。

- リモコン ID の設定が "ID1" になっていることを確認してください。

MEMO



RX-V475/HTR-4066/
RX-V500D



**RX-V475/HTR-4066/
RX-V500D**

